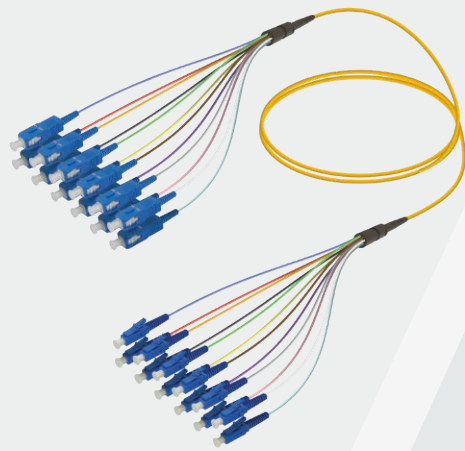


CopperOn™

"SETTING THE STANDARD IN STRUCTURED CABLING"



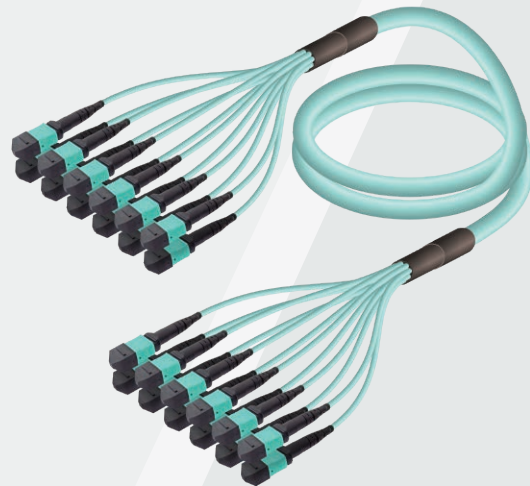
➤ Pigtails & Patch Cords

➤ SC & LC Fanouts

➤ MTP/MTP - Patch Cords & Breakouts

➤ MTP/LC Fanouts

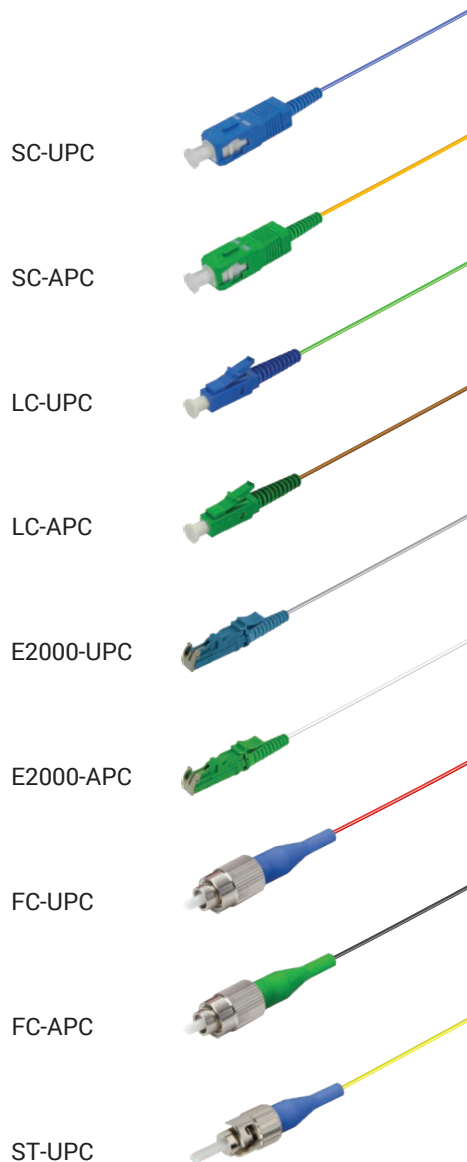
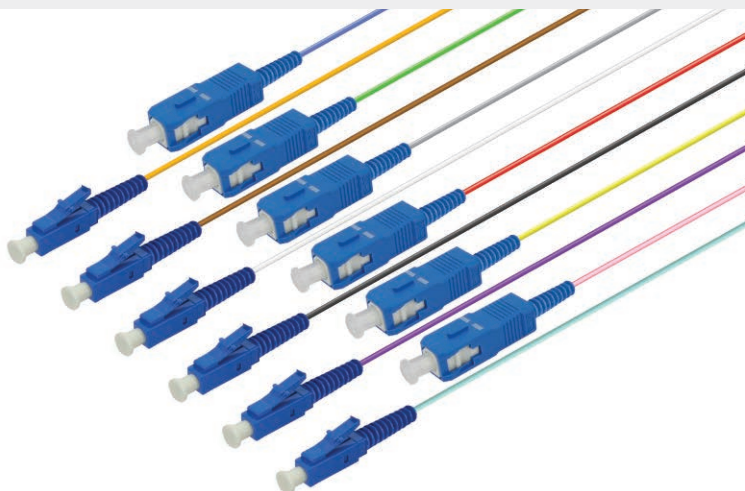
➤ Universal Breakouts



Fiber Optic Assemblies

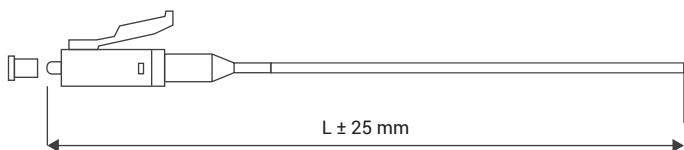
Single Mode Pigtail.....	01
Multi Mode Pigtails.....	02
Simplex Single Mode Patch Cord.....	03
Simplex Multi Mode Patch Cord.....	04
Duplex Single Mode Patch Cord.....	05
Duplex Multi Mode Patch Cord.....	06
Armoured Simplex Patch Cord.....	07
Armoured Duplex Patch Cord.....	08
8 Fibers Single Mode Fanout 0.9mm.....	09
8 Fibers Multi Mode Fanout 0.9mm.....	10
8 Fibers Single Mode Fanout 1.8mm.....	11
8 Fibers Multi Mode Fanout 1.8mm.....	12
12 Fibers Single Mode Fanout 0.9mm.....	13
12 Fibers Multi Mode Fanout 0.9mm.....	14
12 Fibers Single Mode Fanout 1.8mm.....	15
12 Fibers Multi Mode Fanout 1.8mm.....	16
24 Fibers Single Mode Fanout 0.9mm.....	17
24 Fibers Multi Mode Fanout 0.9mm.....	18
24 Fibers Single Mode Fanout 1.8mm.....	19
24 Fibers Multi Mode Fanout 1.8mm.....	20
MTP-Elite Single Mode Patch Cord.....	21
MTP-Elite Multi Mode Patch Cord.....	22
8 Fibers SM MTP-LC Fanout 1.8mm.....	23
8 Fibers MM MTP-LC Fanout 1.8mm.....	24
12 Fibers SM MTP-LC Fanout 1.8mm.....	25
12 Fibers MM MTP-LC Fanout 1.8mm.....	26
24 Fibers SM MTP-LC Fanout 1.8mm.....	27
24 Fibers MM MTP-LC Fanout 1.8mm.....	28
2xMTP-2xMTP Single Mode Breakout.....	29
2xMTP-2xMTP Multi Mode Breakout.....	30
4xMTP-4xMTP Single Mode Breakout.....	31
4xMTP-4xMTP Multi Mode Breakout.....	32
6xMTP-6xMTP Single Mode Breakout.....	33
6xMTP-6xMTP Multi Mode Breakout.....	34
8xMTP-8xMTP Single Mode Breakout.....	35
8xMTP-8xMTP Multi Mode Breakout.....	36
12xMTP-12xMTP Single Mode Breakout.....	37
12xMTP-12xMTP Multi Mode Breakout.....	38
Polarity & Positioning.....	39
Universal Fiber Optic Assemblies	
8 Fibers Single Mode Fanout 0.9mm.....	43
8 Fibers Multi Mode Fanout 0.9mm.....	44
8 Fibers Single Mode Fanout 1.8mm.....	45
8 Fibers Multi Mode Fanout 1.8mm.....	46
12 Fibers Single Mode Fanout 0.9mm.....	47
12 Fibers Multi Mode Fanout 0.9mm.....	48
12 Fibers Single Mode Fanout 1.8mm.....	49
12 Fibers Multi Mode Fanout 1.8mm.....	50
24 Fibers Single Mode Fanout 0.9mm.....	51
24 Fibers Multi Mode Fanout 0.9mm.....	52
24 Fibers Single Mode Fanout 1.8mm.....	53
24 Fibers Multi Mode Fanout 1.8mm.....	54
MTP Single Mode Patch Cord 4.8mm.....	55
MTP Multi Mode Patch Cord 4.8mm.....	56
8 Fibers Single Mode Fanout 4.8mm.....	57
8 Fibers Multi Mode Fanout 4.8mm.....	58
12 Fibers Single Mode Fanout 4.8mm.....	59
12 Fibers Multi Mode Fanout 4.8mm.....	60
24 Fibers Single Mode Fanout 4.8mm.....	61
24 Fibers Multi Mode Fanout 4.8mm.....	62
2 Fibers Single Mode Breakout 4.8mm.....	63
2 Fibers Multi Mode Breakout 4.8mm.....	64
2 Fibers Single Mode Breakout 7.0mm.....	65
2 Fibers Multi Mode Breakout 7.0mm.....	66

Single Mode Pigtails



Properties

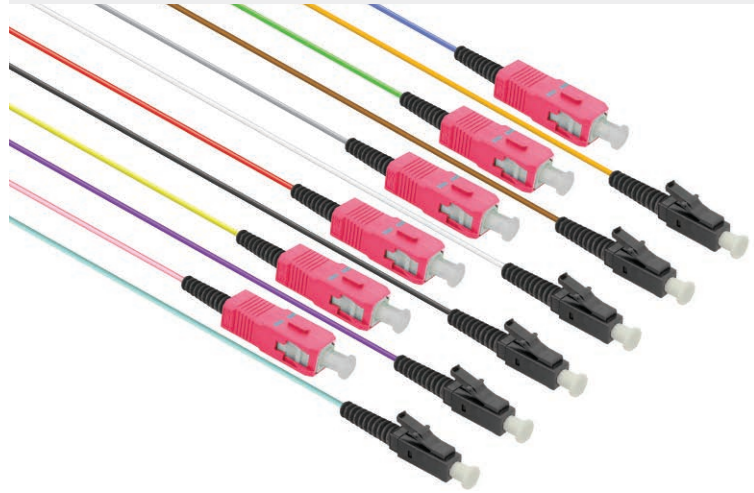
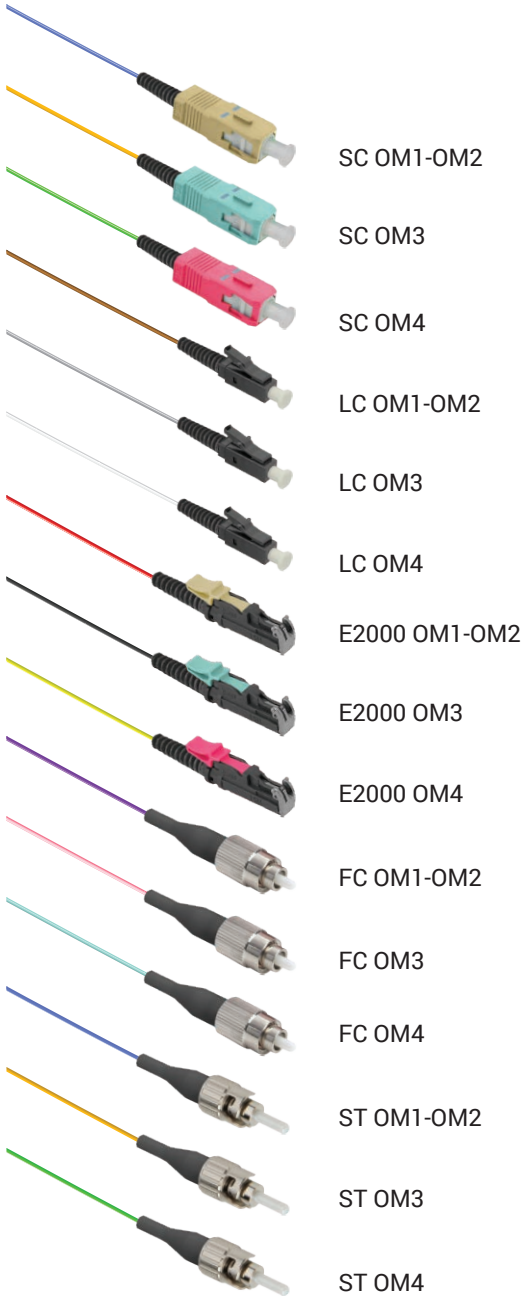
LC Connector Compliance	IEC 61754-20, TIA 604-10-A, RoHS
SC Connector Compliance	IEC 61754-4, TIA 604-3, RoHS
FC Connector Compliance	IEC 61754-13, TIA 604-4-A, RoHS
ST Connector Compliance	IEC 61754-2, TIA 604-2, RoHS
E2000 Connector Compliance	IEC 61754 - 15, TIA 604 - 16, RoHS
Alignment Technology	Full ceramic ferrule (Zirconia ZrO2)
Operating Temperature	-40°C to +85°C
Flammability	UL94 V-0
Durability	> 1000 mating cycles
Transmission with Applied Tensile Load	GR-326 CORE 4.4.3.5
Insertion Loss: IEC 61300-3-4-MB	Singlemode: ≤ 0.30dB
Return Loss: IEC 61300-3-6-MB	Singlemode UPC: ≥ 50dB Singlemode APC: ≥ 60dB
Connector End Face Geometry	IEC 61755-3



I - PT - 1 - S - 09 - A2 - BL - LC - 05M

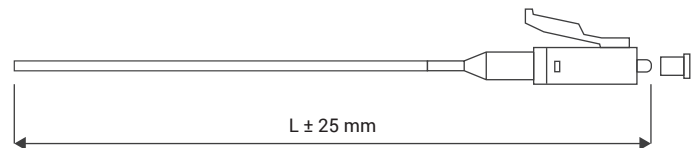
Type	Type	Fiber Count	Cable Type	Diameter	Fiber Type	Color	1. Connector	Length
Indoor: I	Pigtail: PT	1 Fiber: 01	Semi-Tight: S Tight: T	0.9mm: 09	SM G.657 A2: A2 SM G.657 B3: B3	Blue: BL Orange: OR Green: GN Brown: BN Gray: GY White: WT Red: RD Black: BK Yellow: YL Violet: VT Pink: PK Aqua: AQ	SC-UPC: SC SC-APC: SA LC-UPC: LC LC-APC: LA FC-UPC: FC FC-APC: FA ST-UPC: ST E2000-UPC: E2 E2000-APC: EA	__M

Multi Mode Pigtails



Properties

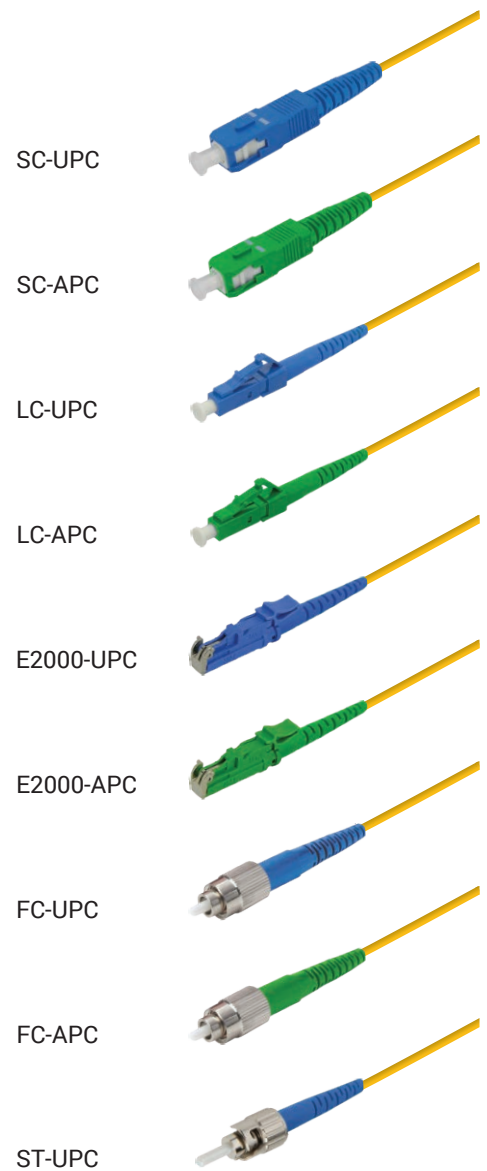
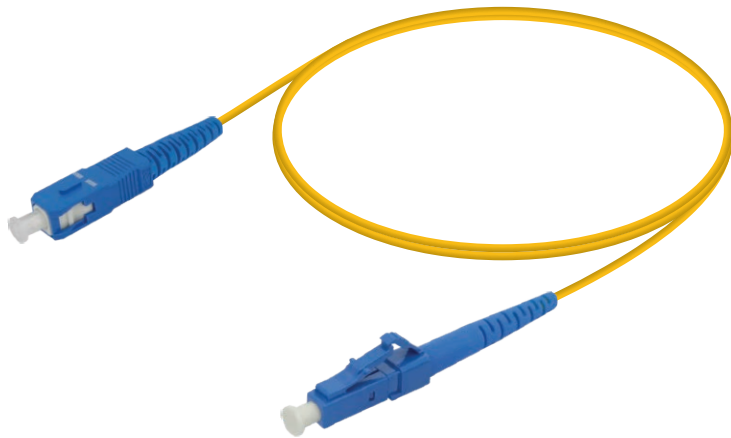
LC Connector Compliance	IEC 61754-20, TIA 604-10-A, RoHS
SC Connector Compliance	IEC 61754-4, TIA 604-3, RoHS
FC Connector Compliance	IEC 61754-13, TIA 604-4-A, RoHS
ST Connector Compliance	IEC 61754-2, TIA 604-2, RoHS
E2000 Connector Compliance	IEC 61754 - 15, TIA 604 - 16, RoHS
Alignment Technology	Full ceramic ferrule (Zirconia ZrO2)
Operating Temperature	-40°C to +85°C
Flammability	UL94 V-0
Durability	> 1000 mating cycles
Transmission with Applied Tensile Load	GR-326 CORE 4.4.3.5
Insertion Loss: IEC 61300-3-4-MB	Multimode: ≤ 0.40dB
Return Loss: IEC 61300-3-6-MB	Multimode: ≥ 40dB
Connector End Face Geometry	IEC 61755-3



I - PT - 1 - S - 09 - M4 - BL - LC - 05M

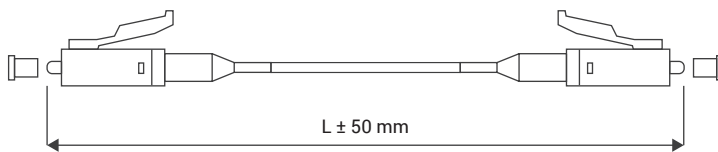
Type	Type	Fiber Count	Cable Type	Diameter	Fiber Type	Color	1. Connector	Length
Indoor: I	Pigtail: PT	1 Fiber: 1	Semi-Tight: S Tight: T	0.9mm: 09	MM G.651 OM1: M1 MM G.651 OM2: M2 MM G.651 OM3: M3 MM G.651 OM4: M4	Blue: BL Orange: OR Green: GN Brown: BN Gray: GY White: WT Red: RD Black: BK Yellow: YL Violet: VT Pink: PK Aqua: AQ	SC-UPC: SC LC-UPC: LC FC-UPC: FC ST-UPC: ST E2000-UPC: E2	...M

Simplex Single Mode Patch Cord



Properties

LC Connector Compliance	IEC 61754-20, TIA 604-10-A, RoHS
SC Connector Compliance	IEC 61754-4, TIA 604-3, RoHS
FC Connector Compliance	IEC 61754-13, TIA 604-4-A, RoHS
ST Connector Compliance	IEC 61754-2, TIA 604-2, RoHS
E2000 Connector Compliance	IEC 61754 - 15, TIA 604 - 16, RoHS
Alignment Technology	Full ceramic ferrule (Zirconia ZrO2)
Operating Temperature	-40°C to +85°C
Flammability	UL94 V-0
Durability	> 1000 mating cycles
Transmission with Applied Tensile Load	GR-326 CORE 4.4.3.5
Insertion Loss: IEC 61300-3-4-MB	Singlemode: ≤ 0.30dB
Return Loss: IEC 61300-3-6-MB	Singlemode UPC: ≥ 50dB Singlemode APC: ≥ 60dB
Connector End Face Geometry	IEC 61755-3



I - PC - 1 - SX - 20 - A2 - SC - LC - 05M

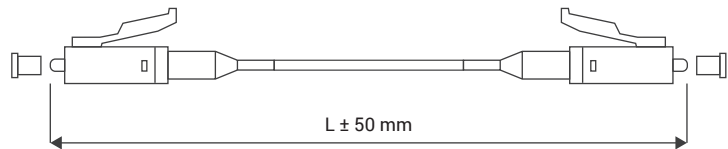
Type	Type	Fiber Count	Cable Type	Diameter	Fiber Type	1. Connector	2. Connector	Length
Indoor: I	Patch Cord: PC	1 Fiber: 1	Simplex: SX	1.8mm: 18 2.0mm: 20 2.7mm: 27	SM G.657 A2: A2 SM G.657 B3: B3	SC-UPC: SC SC-APC: SA LC-UPC: LC LC-APC: LA FC-UPC: FC FC-APC: FA ST-UPC: ST E2000-UPC: E2 E2000-APC: EA	SC-UPC: SC SC-APC: SA LC-UPC: LC LC-APC: LA FC-UPC: FC FC-APC: FA ST-UPC: ST E2000-UPC: E2 E2000-APC: EA	__M

Simplex Multi Mode Patch Cord



Properties

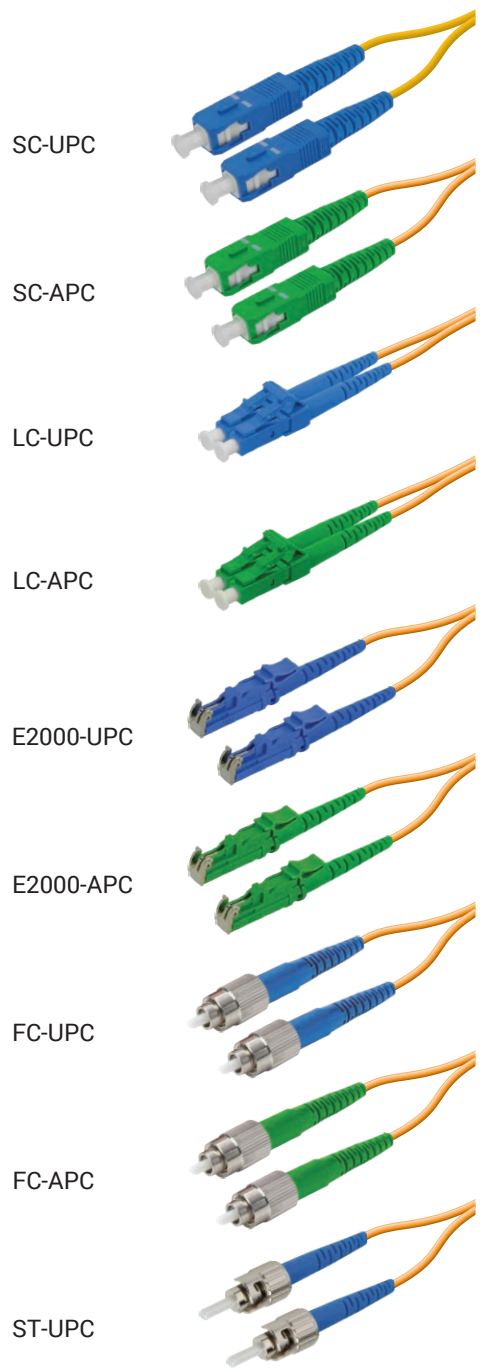
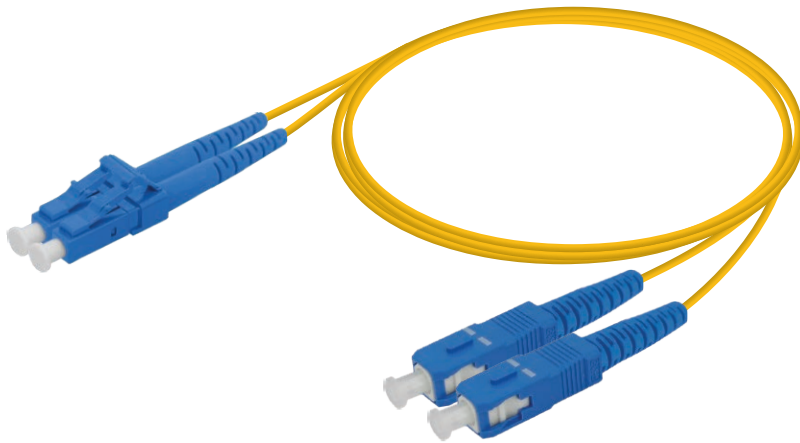
LC Connector Compliance	IEC 61754-20, TIA 604-10-A, RoHS
SC Connector Compliance	IEC 61754-4, TIA 604-3, RoHS
FC Connector Compliance	IEC 61754-13, TIA 604-4-A, RoHS
ST Connector Compliance	IEC 61754-2, TIA 604-2, RoHS
E2000 Connector Compliance	IEC 61754 - 15, TIA 604 - 16, RoHS
Alignment Technology	Full ceramic ferrule (Zirconia ZrO2)
Operating Temperature	-40°C to +85°C
Flammability	UL94 V-0
Durability	> 1000 mating cycles
Transmission with Applied Tensile Load	GR-326 CORE 4.4.3.5
Insertion Loss: IEC 61300-3-4-MB	Multimode: ≤ 0.40dB
Return Loss: IEC 61300-3-6-MB	Multimode: ≥ 40dB
Connector End Face Geometry	IEC 61755-3



I - PC - 1 - SX - 20 - M4 - SC - LC - 05M

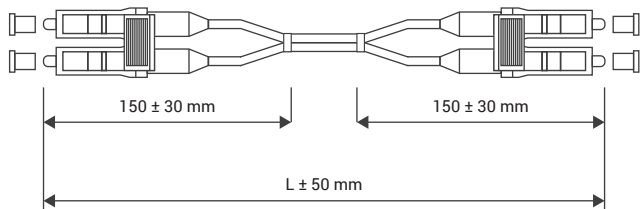
Type	Type	Fiber Count	Cable Type	Diameter	Fiber Type	1. Connector	2. Connector	Length
Indoor: I	Patch Cord: PC	1 Fiber: 1	Simplex: SX	1.8mm: 18 2.0mm: 20 2.7mm: 27	MM G.651 OM1: M1 MM G.651 OM2: M2 MM G.651 OM3: M3 MM G.651 OM4: M4	SC-UPC: SC LC-UPC: LC FC-UPC: FC ST-UPC: ST E2000-UPC: E2	SC-UPC: SC LC-UPC: LC FC-UPC: FC ST-UPC: ST E2000-UPC: E2	-- M

Duplex Single Mode Patch Cord



Properties

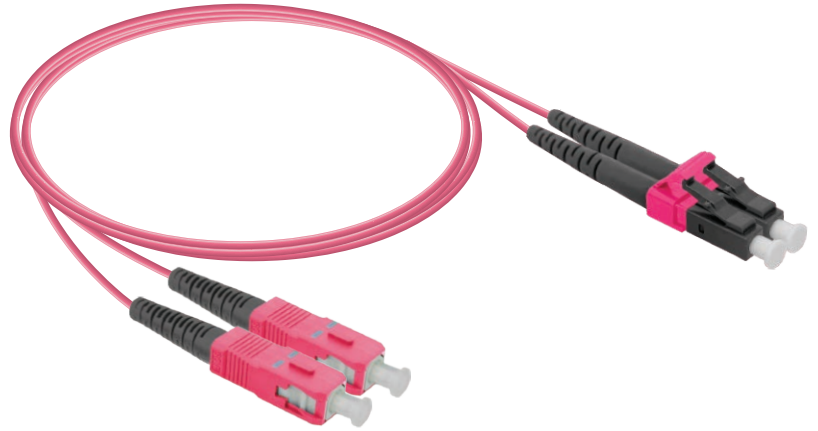
LC Connector Compliance	IEC 61754-20, TIA 604-10-A, RoHS
SC Connector Compliance	IEC 61754-4, TIA 604-3, RoHS
FC Connector Compliance	IEC 61754-13, TIA 604-4-A, RoHS
ST Connector Compliance	IEC 61754-2, TIA 604-2, RoHS
E2000 Connector Compliance	IEC 61754 - 15, TIA 604 - 16, RoHS
Alignment Technology	Full ceramic ferrule (Zirconia ZrO2)
Operating Temperature	-40°C to +85°C
Flammability	UL94 V-0
Durability	> 1000 mating cycles
Transmission with Applied Tensile Load	GR-326 CORE 4.4.3.5
Insertion Loss: IEC 61300-3-4-MB	Singlemode: ≤ 0.30dB
Return Loss: IEC 61300-3-6-MB	Singlemode UPC: ≥ 50dB Singlemode APC: ≥ 60dB
Connector End Face Geometry	IEC 61755-3



I - PC - 2 - DX - 20 - A2 - SC - LC - 05M

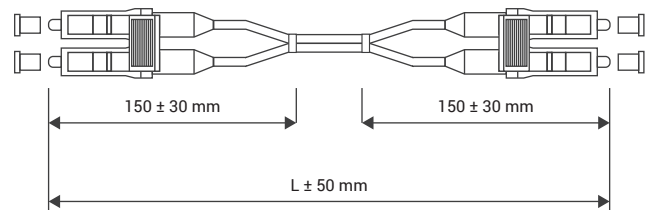
Type	Type	Fiber Count	Cable Type	Diameter	Fiber Type	1. Connector	2. Connector	Length
Indoor: I	Patch Cord: PC	2 Fibers: 2	Duplex: DX	1.8x3.7mm: 18 2.0x4.1mm: 20	SM G.657 A2: A2 SM G.657 B3: B3	SC-UPC: SC SC-APC: SA LC-UPC: LC LC-APC: LA FC-UPC: FC FC-APC: FA ST-UPC: ST E2000-UPC: E2 E2000-APC: EA	SC-UPC: SC SC-APC: SA LC-UPC: LC LC-APC: LA FC-UPC: FC FC-APC: FA ST-UPC: ST E2000-UPC: E2 E2000-APC: EA	...M

Duplex Multi Mode Patch Cord



Properties

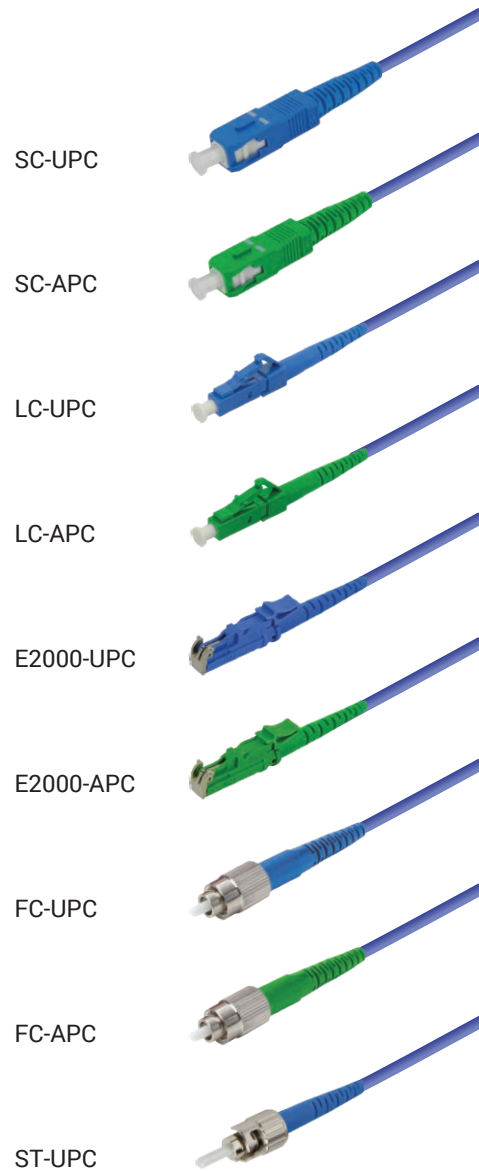
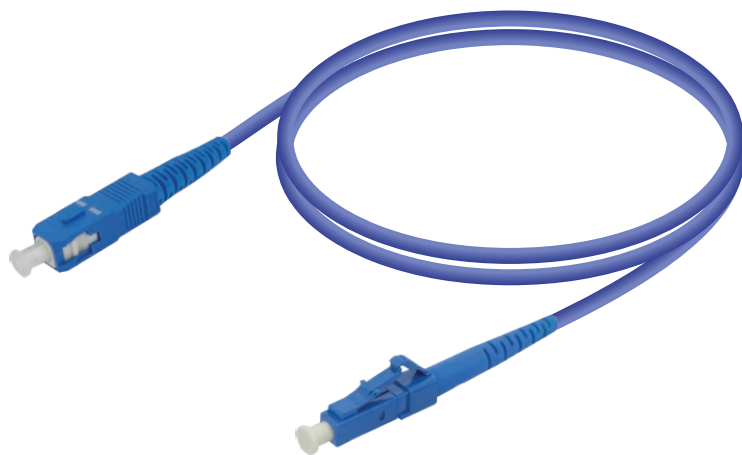
LC Connector Compliance	IEC 61754-20, TIA 604-10-A, RoHS
SC Connector Compliance	IEC 61754-4, TIA 604-3, RoHS
FC Connector Compliance	IEC 61754-13, TIA 604-4-A, RoHS
ST Connector Compliance	IEC 61754-2, TIA 604-2, RoHS
E2000 Connector Compliance	IEC 61754 - 15, TIA 604 - 16, RoHS
Alignment Technology	Full ceramic ferrule (Zirconia ZrO2)
Operating Temperature	-40°C to +85°C
Flammability	UL94 V-0
Durability	> 1000 mating cycles
Transmission with Applied Tensile Load	GR-326 CORE 4.4.3.5
Insertion Loss: IEC 61300-3-4-MB	Multimode: ≤ 0.40dB
Return Loss: IEC 61300-3-6-MB	Multimode: ≥ 40dB
Connector End Face Geometry	IEC 61755-3



I - PC - 2 - DX - 20 - M4 - SC - LC - 05M

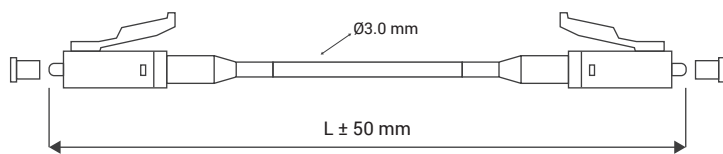
Type	Type	Fiber Count	Cable Type	Diameter	Fiber Type	1. Connector	2. Connector	Length
Indoor: I	Patch Cord: PC	2 Fibers: 2	Duplex: DX	1.8x3.7mm: 18 2.0x4.1mm: 20	MM G.651 OM1: M1 MM G.651 OM2: M2 MM G.651 OM3: M3 MM G.651 OM4: M4	SC-UPC: SC LC-UPC: LC FC-UPC: FC ST-UPC: ST E2000-UPC: E2	SC-UPC: SC LC-UPC: LC FC-UPC: FC ST-UPC: ST E2000-UPC: E2	__ M

Armoured Simplex Patch Cord



Properties

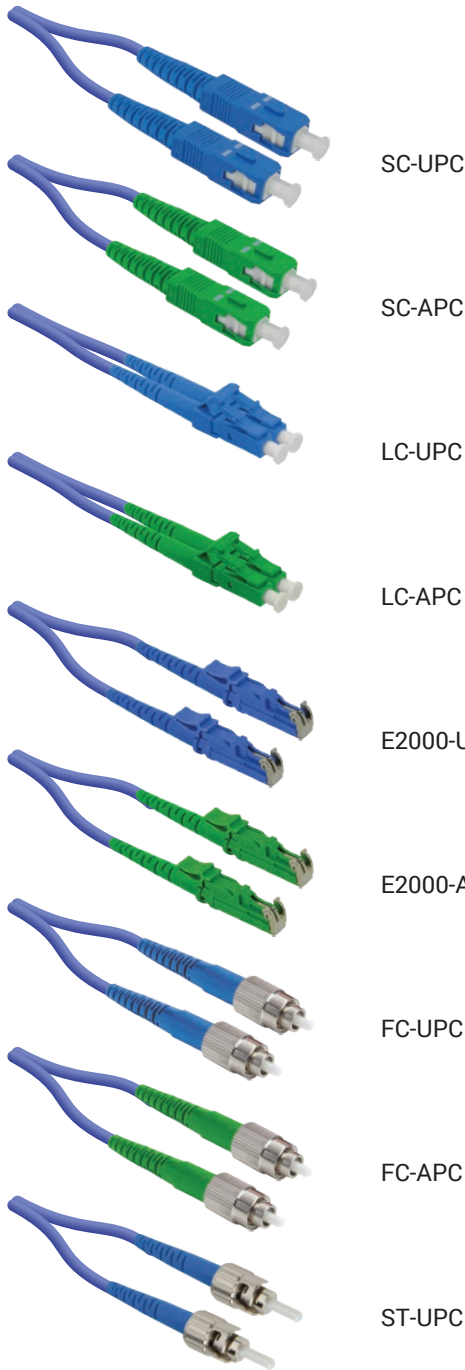
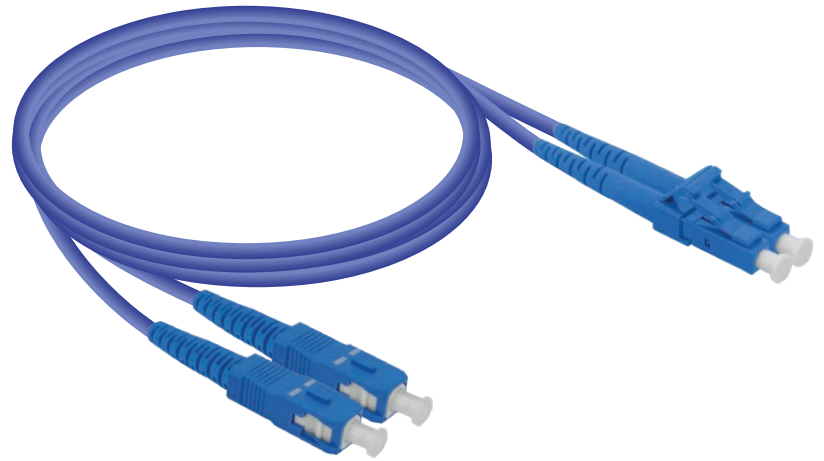
LC Connector Compliance	IEC 61754-20, TIA 604-10-A, RoHS
SC Connector Compliance	IEC 61754-4, TIA 604-3, RoHS
FC Connector Compliance	IEC 61754-13, TIA 604-4-A, RoHS
ST Connector Compliance	IEC 61754-2, TIA 604-2, RoHS
E2000 Connector Compliance	IEC 61754 - 15, TIA 604 - 16, RoHS
Alignment Technology	Full ceramic ferrule (Zirconia ZrO2)
Operating Temperature	-20°C to +60°C
Flammability	UL94 V-0
Durability	> 1000 mating cycles
Transmission with Applied Tensile Load	GR-326 CORE 4.4.3.5
Insertion Loss: IEC 61300-3-4-MB	Singlemode: ≤ 0.30dB
Return Loss: IEC 61300-3-6-MB	Singlemode UPC: ≥ 50dB Singlemode APC: ≥ 60dB
Connector End Face Geometry	IEC 61755-3



I - PC - 1 - SX - C3 - A2 - SC - LC - 05M

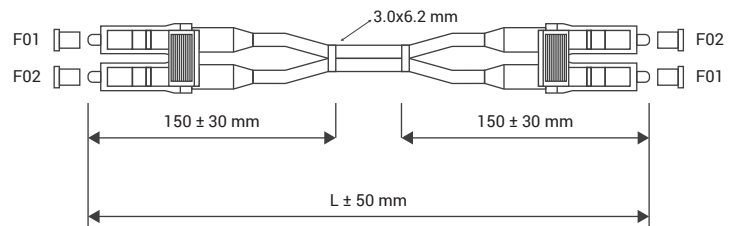
Type	Type	Fiber Count	Cable Type	Diameter	Fiber Type	1. Connector	2. Connector	Length
Indoor: Universal:	I U	Patch Cord: PC 1 Fiber: 1	Simplex: SX	3.0mm: C3	SM G.657 A2: A2 SM G.657 B3: B3	SC-UPC: SC SC-APC: SA LC-UPC: LC LC-APC: LA FC-UPC: FC FC-APC: FA ST-UPC: ST E2000-UPC: E2 E2000-APC: EA	SC-UPC: SC SC-APC: SA LC-UPC: LC LC-APC: LA FC-UPC: FC FC-APC: FA ST-UPC: ST E2000-UPC: E2 E2000-APC: EA	-- M

Armoured Duplex Patch Cord



Properties

LC Connector Compliance	IEC 61754-20, TIA 604-10-A, RoHS
SC Connector Compliance	IEC 61754-4, TIA 604-3, RoHS
FC Connector Compliance	IEC 61754-13, TIA 604-4-A, RoHS
ST Connector Compliance	IEC 61754-2, TIA 604-2, RoHS
E2000 Connector Compliance	IEC 61754 - 15, TIA 604 - 16, RoHS
Alignment Technology	Full ceramic ferrule (Zirconia ZrO2)
Operating Temperature	-20°C to +60°C
Flammability	UL94 V-0
Durability	> 1000 mating cycles
Transmission with Applied Tensile Load	GR-326 CORE 4.4.3.5
Insertion Loss: IEC 61300-3-4-MB	Singlemode: ≤ 0.30dB
Return Loss: IEC 61300-3-6-MB	Singlemode UPC: ≥ 50dB Singlemode APC: ≥ 60dB
Connector End Face Geometry	IEC 61755-3



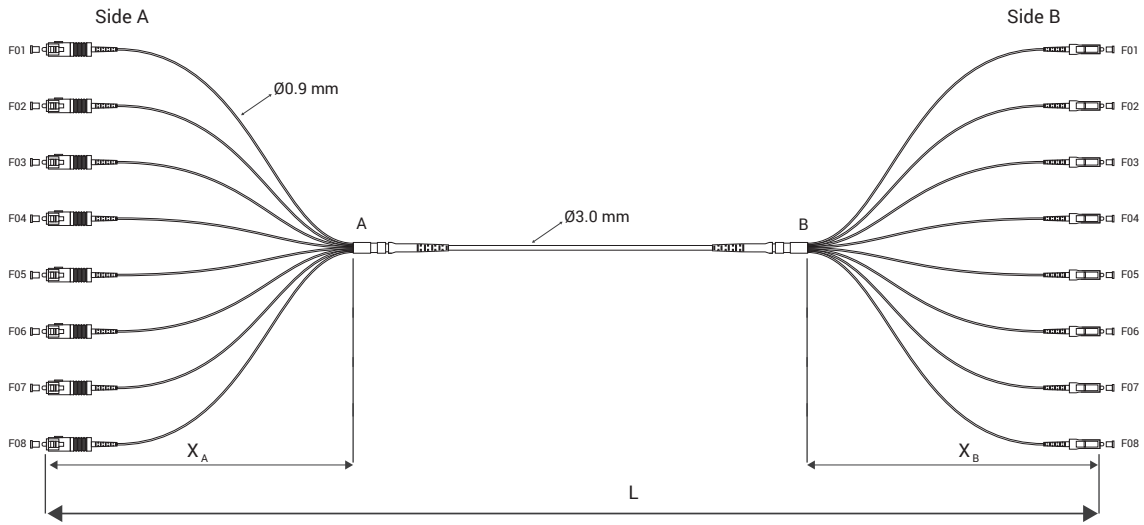
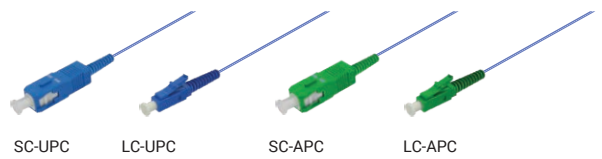
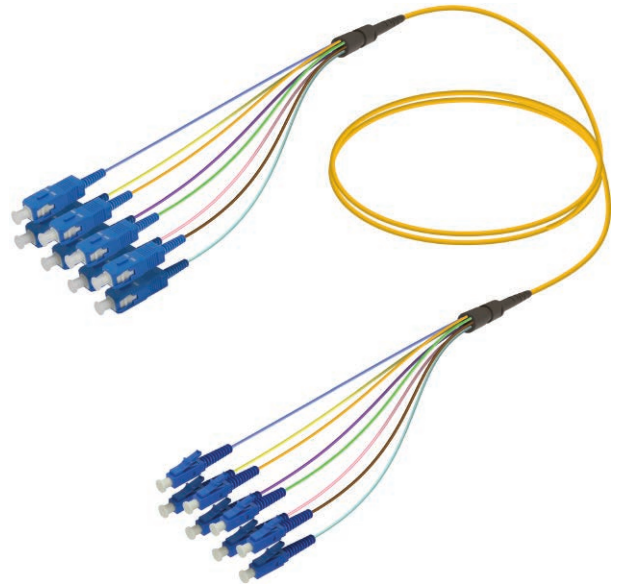
I - PC - 2 - DX - C3 - A2 - SC - LC - 05M

Type	Type	Fiber Count	Cable Type	Diameter	Fiber Type	1. Connector	2. Connector	Length
Indoor: Universal:	I U	Patch Cord: PC 2 Fibers: 2	Duplex: DX	3.0x6.2: C3	SM G.657 A2: A2 SM G.657 B3: B3	SC-UPC: SC SC-APC: SA LC-UPC: LC LC-APC: LA FC-UPC: FC FC-APC: FA ST-UPC: ST E2000-UPC: E2 E2000-APC: EA	SC-UPC: SC SC-APC: SA LC-UPC: LC LC-APC: LA FC-UPC: FC FC-APC: FA ST-UPC: ST E2000-UPC: E2 E2000-APC: EA	__ M

8 Fibers Single Mode Fanout | 0.9mm

Properties

LC Connector Compliance	IEC 61754-20, TIA 604-10-A, RoHS
SC Connector Compliance	IEC 61754-4, TIA 604-3, RoHS
Fiber Count	8 Fibers
Cable Diameter	3.0mm
Subunit Diameter	0.9mm
Alignment Technology	Full ceramic ferrule (Zirconia ZrO2)
Operating Temperature	-40°C to +85°C
Flammability	UL94 V-0
Durability	> 1000 mating cycles
Transmission with Applied Tensile Load	GR-326 CORE 4.4.3.5
Insertion Loss: IEC 61300-3-4-MB	Singlemode: ≤ 0.30dB
Return Loss: IEC 61300-3-6-MB	Singlemode UPC : ≥ 50dB Singlemode APC : ≥ 60dB
Connector End Face Geometry	IEC 61755-3

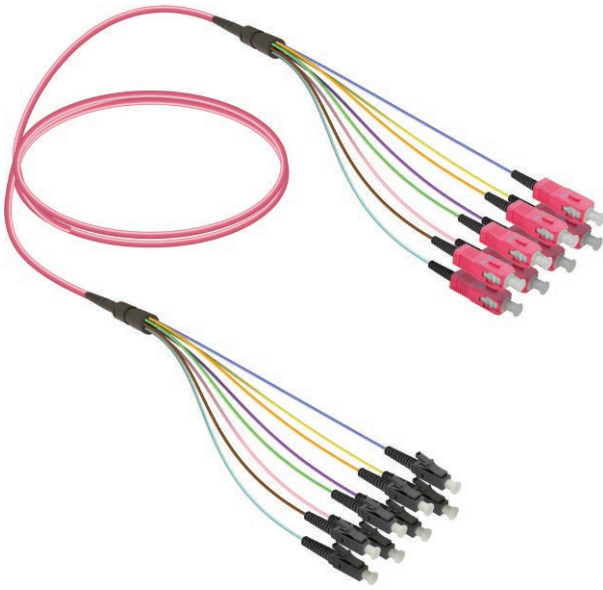


* X (Tube Length) is standard 1000mm. Please contact us for different tube length.

Sample Coding **I - PC - 8 - F - 309 - A2 - 08SCS - 08LCS - 05M**

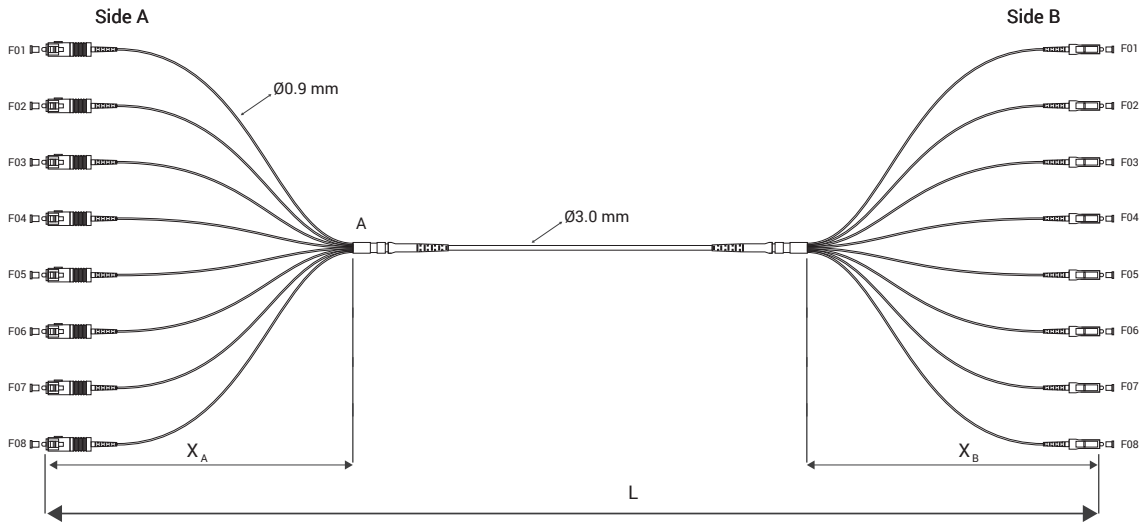
Type	Type	Fiber Count	Cable Type	Diameter	Fiber Type	1. Connector	2. Connector	Length
Indoor: I	Patch Cord: PC	8 Fibers: 8	Fanout: F	3.0/0.9mm: 309	SM G.657 A2: A2	SC-UPC: 08SCS SC-APC: 08SAS LC-UPC: 08LCS LC-APC: 08LAS	SC-UPC: 08SCS SC-APC: 08SAS LC-UPC: 08LCS LC-APC: 08LAS	__ M

8 Fibers Multi Mode Fanout | 0.9mm



Properties

LC Connector Compliance	IEC 61754-20, TIA 604-10-A, RoHS
SC Connector Compliance	IEC 61754-4, TIA 604-3, RoHS
Fiber Count	8 Fibers
Cable Diameter	3.0mm
Subunit Diameter	0.9mm
Alignment Technology	Full ceramic ferrule (Zirconia ZrO2)
Operating Temperature	-40°C to +85°C
Flammability	UL94 V-0
Durability	> 1000 mating cycles
Transmission with Applied Tensile Load	GR-326 CORE 4.4.3.5
Insertion Loss: IEC 61300-3-4-MB	Multimode: ≤ 0.40dB
Return Loss: IEC 61300-3-6-MB	Multimode: ≥ 40dB
Connector End Face Geometry	IEC 61755-3



* X (Tube Length) is standard 1000mm. Please contact us for different tube length.

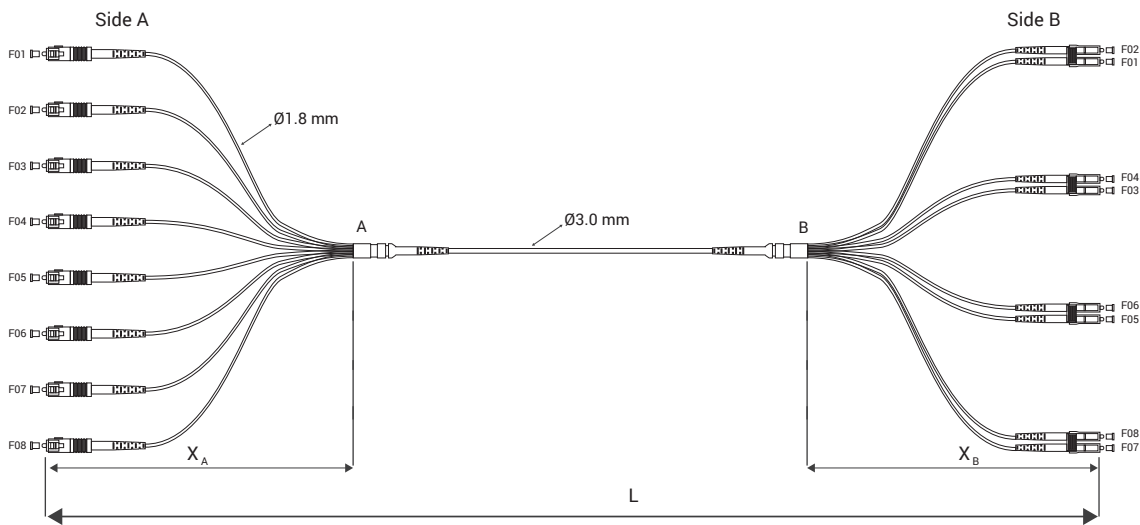
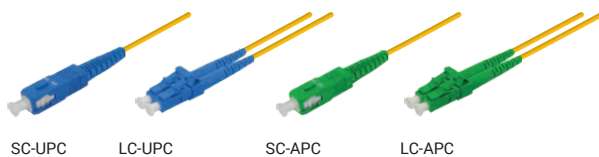
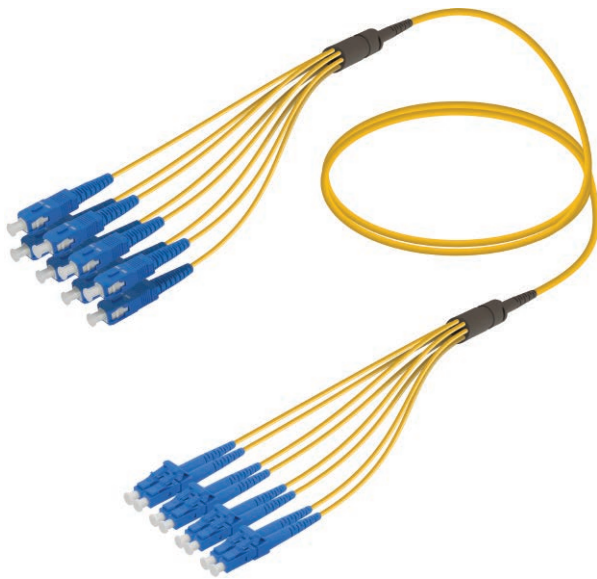
Sample Coding **I - PC - 8 - F - 309 - M4 - 08SCS - 08LCS - 05M**

Type	Type	Fiber Count	Cable Type	Diameter	Fiber Type	1. Connector	2. Connector	Length
Indoor: I	Patch Cord: PC	8 Fibers: 8	Fanout: F	3.0/0.9mm: 309	MM G.651 OM3: M3 MM G.651 OM4: M4	SC-UPC: 08SCS LC-UPC: 08LCS	SC-UPC: 08SCS LC-UPC: 08LCS	_ _ M

8 Fibers Single Mode Fanout | 1.8mm

Properties

LC Connector Compliance	IEC 61754-20, TIA 604-10-A, RoHS
SC Connector Compliance	IEC 61754-4, TIA 604-3, RoHS
Fiber Count	8 Fibers
Cable Diameter	3.0mm
Subunit Diameter	1.8mm
Alignment Technology	Full ceramic ferrule (Zirconia ZrO2)
Operating Temperature	-40°C to +85°C
Flammability	UL94 V-0
Durability	> 1000 mating cycles
Transmission with Applied Tensile Load	GR-326 CORE 4.4.3.5
Insertion Loss: IEC 61300-3-4-MB	Singlemode: ≤ 0.30dB
Return Loss: IEC 61300-3-6-MB	Singlemode UPC : ≥ 50dB Singlemode APC : ≥ 60dB
Connector End Face Geometry	IEC 61755-3

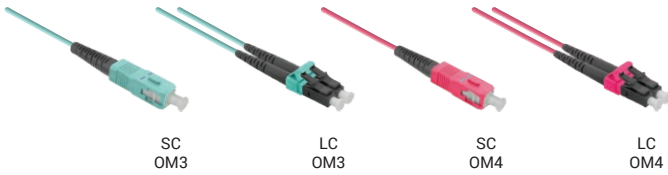
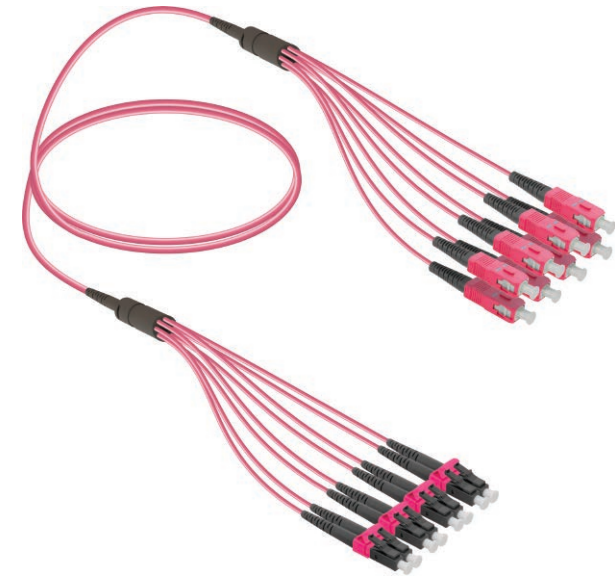


* X (Tube Length) is standard 500mm. Please contact us for different tube length.

Sample Coding **I - PC - 8 - F - 318 - A2 - 08SCS - 04LCD - 05M**

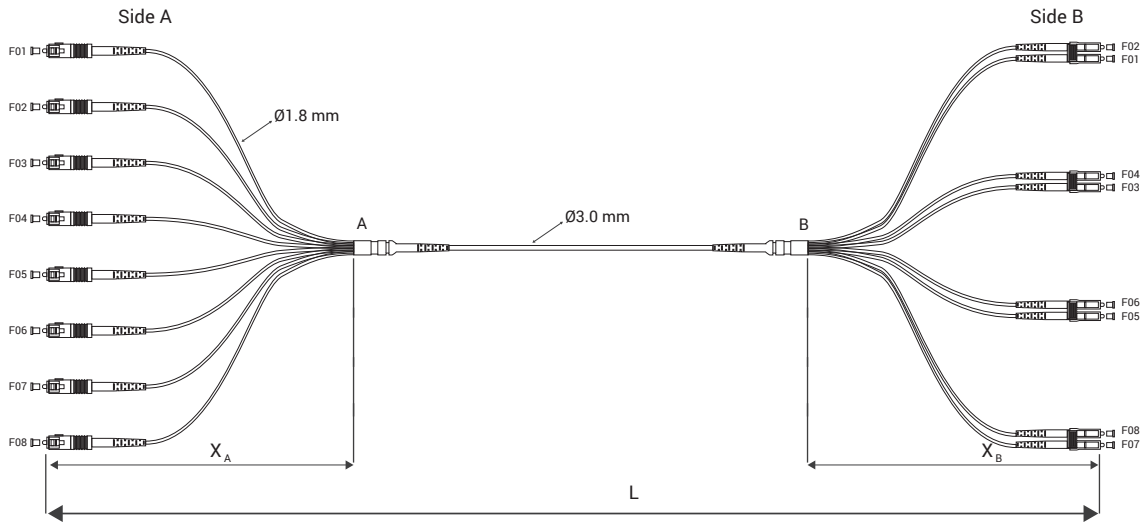
Type	Type	Fiber Count	Cable Type	Diameter	Fiber Type	1. Connector	2. Connector	Length
Indoor: I	Patch Cord: PC	8 Fibers: 8	Fanout: F	3.0/1.8mm: 318	SM G.657 A2: A2	SC-UPC: 08SCS SC-APC: 08SAS LC-UPC: 04LCD LC-APC: 04LAD	SC-UPC: 08SCS SC-APC: 08SAS LC-UPC: 04LCD LC-APC: 04LAD	__ M

8 Fibers Multi Mode Fanout | 1.8mm



Properties

LC Connector Compliance	IEC 61754-20, TIA 604-10-A, RoHS
SC Connector Compliance	IEC 61754-4, TIA 604-3, RoHS
Fiber Count	8 Fibers
Cable Diameter	3.0mm
Subunit Diameter	1.8mm
Alignment Technology	Full ceramic ferrule (Zirconia ZrO2)
Operating Temperature	-40°C to +85°C
Flammability	UL94 V-0
Durability	> 1000 mating cycles
Transmission with Applied Tensile Load	GR-326 CORE 4.4.3.5
Insertion Loss: IEC 61300-3-4-MB	Multimode: ≤ 0.40dB
Return Loss: IEC 61300-3-6-MB	Multimode: ≥ 40dB
Connector End Face Geometry	IEC 61755-3



* X (Tube Length) is standard 500mm. Please contact us for different tube length.

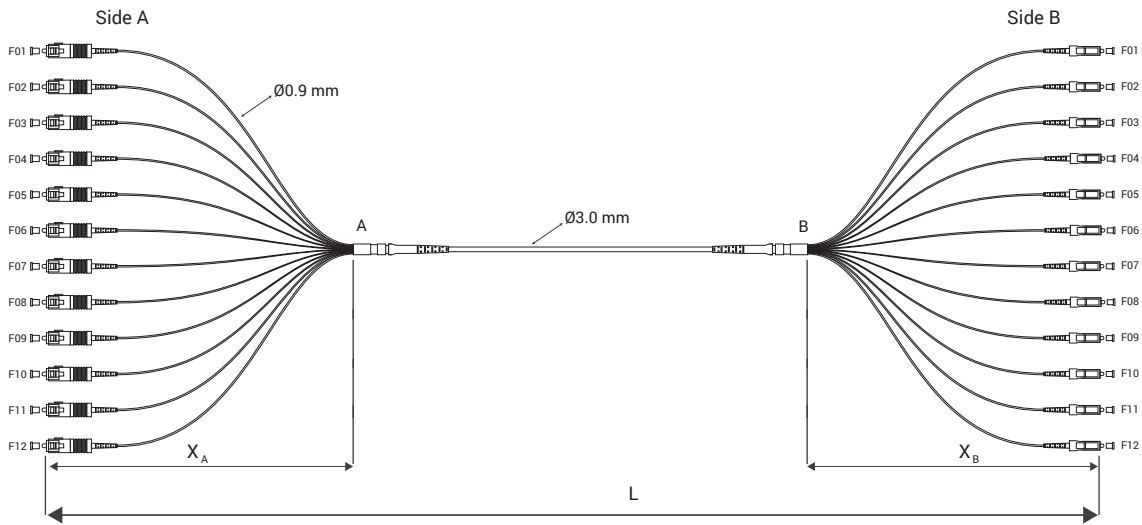
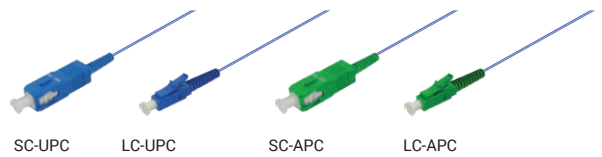
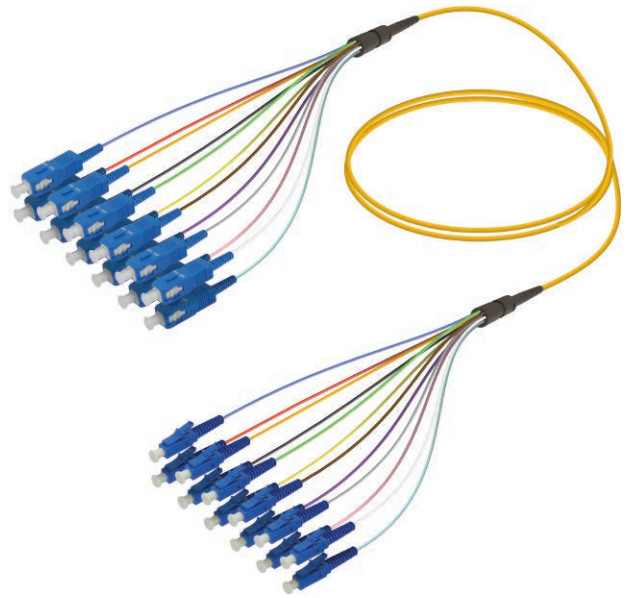
Sample Coding **I - PC - 8 - F - 318 - M4 - 08SCS - 04LCD - 05M**

Type	Type	Fiber Count	Cable Type	Diameter	Fiber Type	1. Connector	2. Connector	Length
Indoor: I	Patch Cord: PC	8 Fibers: 8	Fanout: F	3.0/1.8mm: 318	MM G.651 OM3: M3 MM G.651 OM4: M4	SC-UPC: 08SCS LC-UPC: 04LCD	SC-UPC: 08SCS LC-UPC: 04LCD	__ M

12 Fibers Single Mode Fanout | 0.9mm

Properties

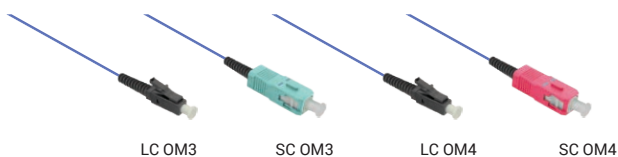
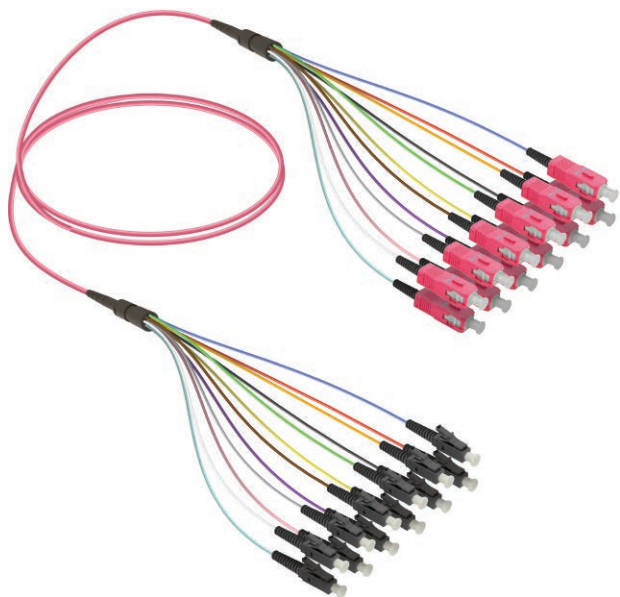
LC Connector Compliance	IEC 61754-20, TIA 604-10-A, RoHS
SC Connector Compliance	IEC 61754-4, TIA 604-3, RoHS
Fiber Count	12 Fibers
Cable Diameter	3.0mm
Subunit Diameter	0.9mm
Alignment Technology	Full ceramic ferrule (Zirconia ZrO2)
Operating Temperature	-40°C to +85°C
Flammability	UL94 V-0
Durability	> 1000 mating cycles
Transmission with Applied Tensile Load	GR-326 CORE 4.4.3.5
Insertion Loss: IEC 61300-3-4-MB	Singlemode: ≤ 0.30dB
Return Loss: IEC 61300-3-6-MB	Singlemode UPC : ≥ 50dB Singlemode APC : ≥ 60dB
Connector End Face Geometry	IEC 61755-3



* X (Tube Length) is standard 1000mm. Please contact us for different tube length.

Sample Coding **I - PC - 12 - F - 309 - A2 - 12SCS - 12LCS - 05M**

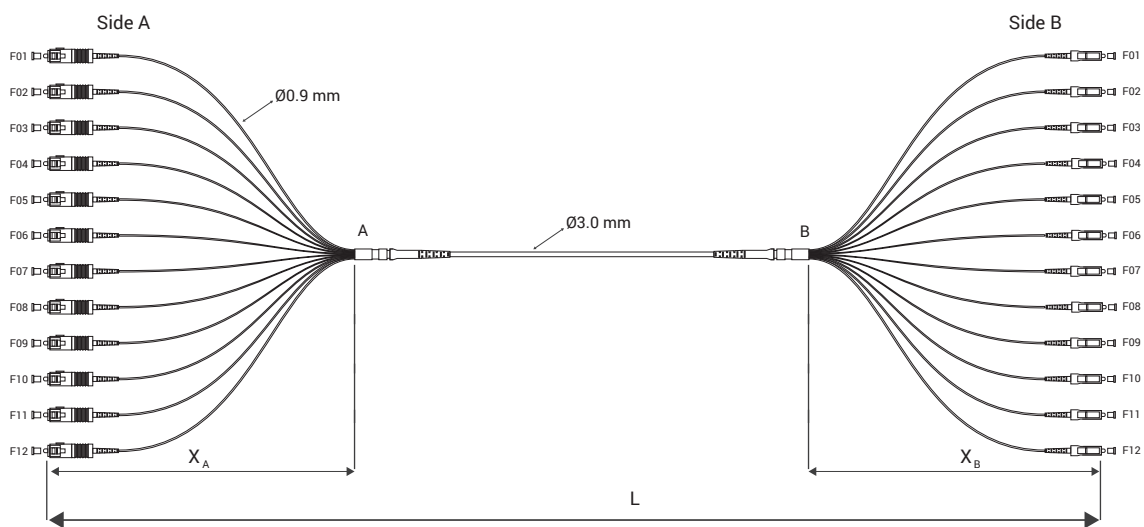
Type	Type	Fiber Count	Cable Type	Diameter	Fiber Type	1. Connector	2. Connector	Length
Indoor: I	Patch Cord: PC	12 Fibers: 12	Fanout: F	3.0/0.9mm: 309	SM G.657 A2: A2	SC-UPC: 12SCS SC-APC: 12SAS LC-UPC: 12LCS LC-APC: 12LAS	SC-UPC: 12SCS SC-APC: 12SAS LC-UPC: 12LCS LC-APC: 12LAS	__ M



12 Fibers Multi Mode Fanout | 0.9mm

Properties

LC Connector Compliance	IEC 61754-20, TIA 604-10-A, RoHS
SC Connector Compliance	IEC 61754-4, TIA 604-3, RoHS
Fiber Count	12 Fibers
Cable Diameter	3.0mm
Subunit Diameter	0.9mm
Alignment Technology	Full ceramic ferrule (Zirconia ZrO2)
Operating Temperature	-40°C to +85°C
Flammability	UL94 V-0
Durability	> 1000 mating cycles
Transmission with Applied Tensile Load	GR-326 CORE 4.4.3.5
Insertion Loss: IEC 61300-3-4-MB	Multimode: ≤ 0.40dB
Return Loss: IEC 61300-3-6-MB	Multimode: ≥ 40dB
Connector End Face Geometry	IEC 61755-3



* X (Tube Length) is standard 1000mm. Please contact us for different tube length.

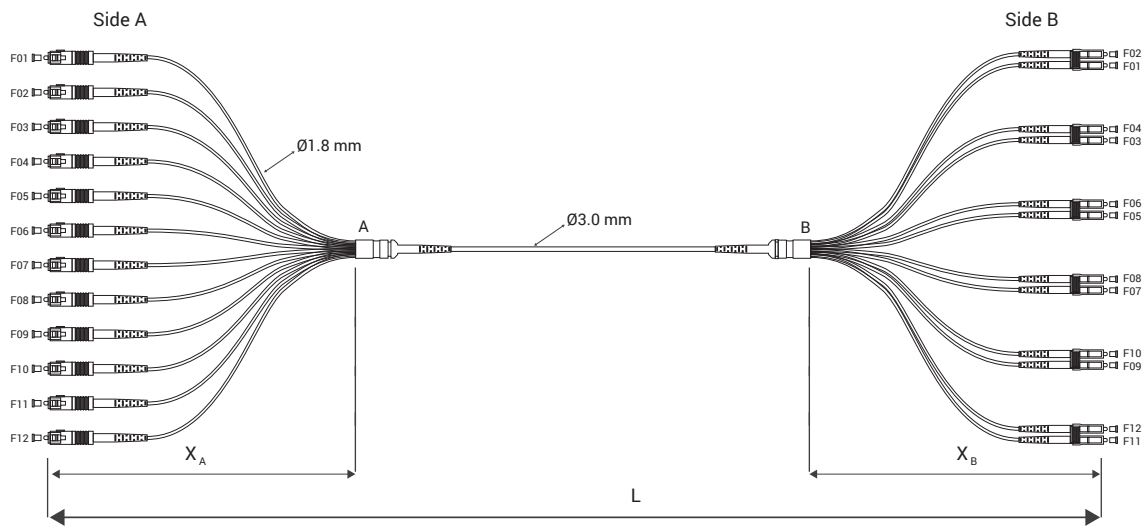
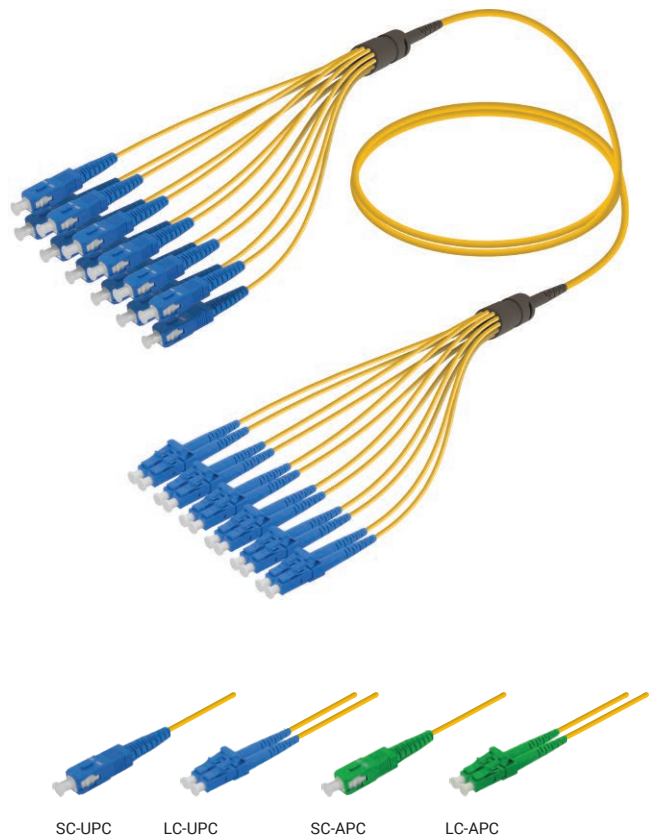
Sample Coding **I - PC - 12 - F - 309 - M4 - 12SCS - 12LCS - 05M**

Type	Type	Fiber Count	Cable Type	Diameter	Fiber Type	1. Connector	2. Connector	Length
Indoor: I	Patch Cord: PC	12 Fibers: 12	Fanout: F	3.0/0.9mm: 309	MM G.651 OM3: M3 MM G.651 OM4: M4	SC-UPC: 12SCS LC-UPC: 12LCS	SC-UPC: 12SCS LC-UPC: 12LCS	_ _ M

12 Fibers Single Mode Fanout | 1.8mm

Properties

LC Connector Compliance	IEC 61754-20, TIA 604-10-A, RoHS
SC Connector Compliance	IEC 61754-4, TIA 604-3, RoHS
Fiber Count	12 Fibers
Cable Diameter	3.0mm
Subunit Diameter	1.8mm
Alignment Technology	Full ceramic ferrule (Zirconia ZrO2)
Operating Temperature	-40°C to +85°C
Flammability	UL94 V-0
Durability	> 1000 mating cycles
Transmission with Applied Tensile Load	GR-326 CORE 4.4.3.5
Insertion Loss: IEC 61300-3-4-MB	Singlemode: ≤ 0.30dB
Return Loss: IEC 61300-3-6-MB	Singlemode UPC : ≥ 50dB Singlemode APC : ≥ 60dB
Connector End Face Geometry	IEC 61755-3

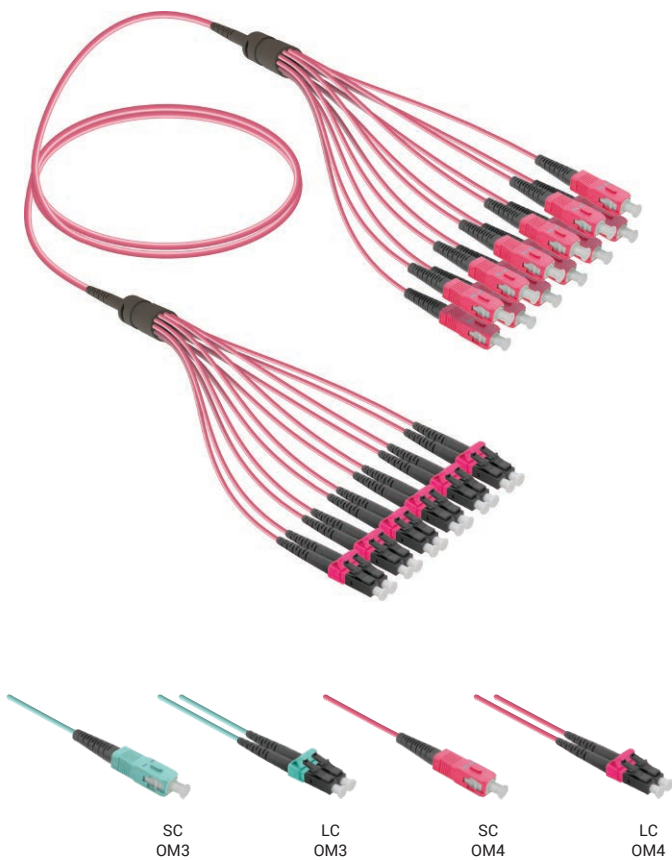


* X (Tube Length) is standard 500mm. Please contact us for different tube length.

Sample Coding **I - PC - 12 - F - 318 - A2 - 12SCS - 06LCD - 05M**

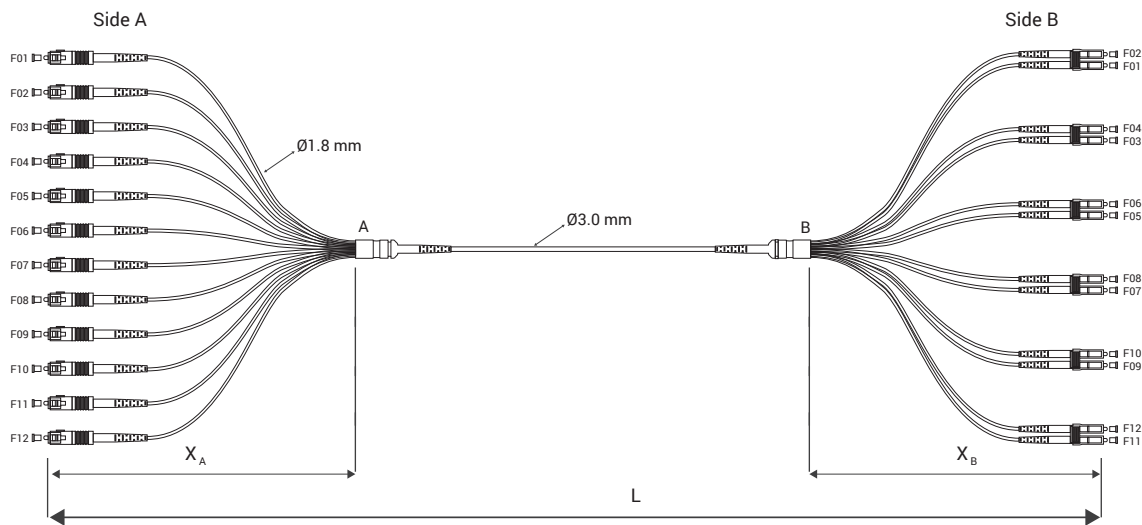
Type	Type	Fiber Count	Cable Type	Diameter	Fiber Type	1. Connector	2. Connector	Length
Indoor: I	Patch Cord: PC	12 Fibers: 12	Fanout: F	3.0/1.8mm: 318	SM G.657 A2: A2	SC-UPC: 12SCS SC-APC: 12SAS LC-UPC: 06LCD LC-APC: 06LAD	SC-UPC: 12SCS SC-APC: 12SAS LC-UPC: 06LCD LC-APC: 06LAD	__ M

12 Fibers Multi Mode Fanout | 1.8mm



Properties

LC Connector Compliance	IEC 61754-20, TIA 604-10-A, RoHS
SC Connector Compliance	IEC 61754-4, TIA 604-3, RoHS
Fiber Count	12 Fibers
Cable Diameter	3.0mm
Subunit Diameter	1.8mm
Alignment Technology	Full ceramic ferrule (Zirconia ZrO2)
Operating Temperature	-40°C to +85°C
Flammability	UL94 V-0
Durability	> 1000 mating cycles
Transmission with Applied Tensile Load	GR-326 CORE 4.4.3.5
Insertion Loss: IEC 61300-3-4-MB	Multimode: ≤ 0.40dB
Return Loss: IEC 61300-3-6-MB	Multimode: ≥ 40dB
Connector End Face Geometry	IEC 61755-3



* X (Tube Length) is standard 500mm. Please contact us for different tube length.

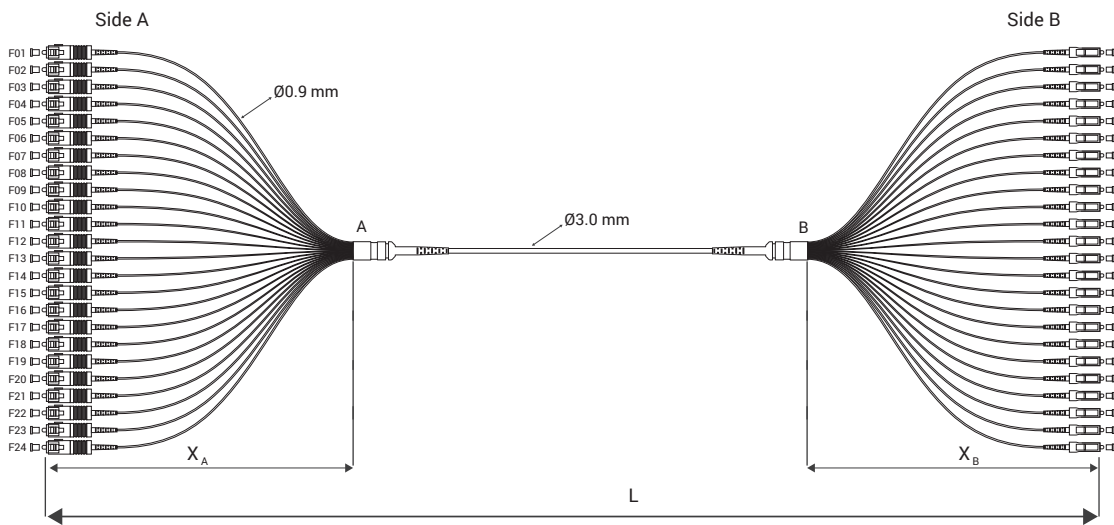
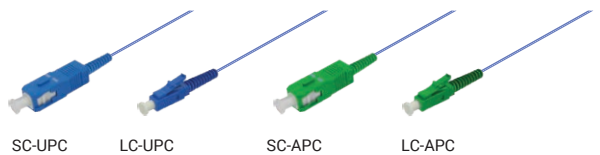
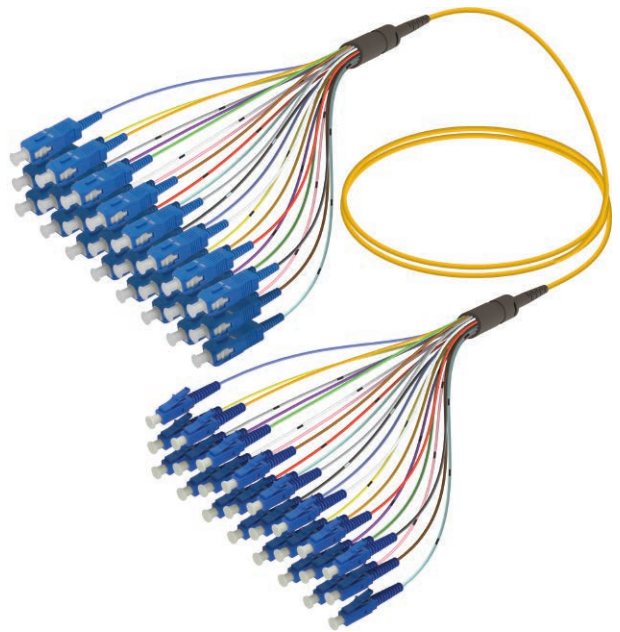
Sample Coding **I - PC - 12 - F - 318 - M4 - 12SCS - 06LCD - 05M**

Type	Type	Fiber Count	Cable Type	Diameter	Fiber Type	1. Connector	2. Connector	Length
Indoor: I	Patch Cord: PC	12 Fibers: 12	Fanout: F	3.0/1.8mm: 318	MM G.651 OM3: M3 MM G.651 OM4: M4	SC-UPC: 12SCS LC-UPC: 06LCD	SC-UPC: 12SCS LC-UPC: 06LCD	__ M

24 Fibers Single Mode Fanout | 0.9mm

Properties

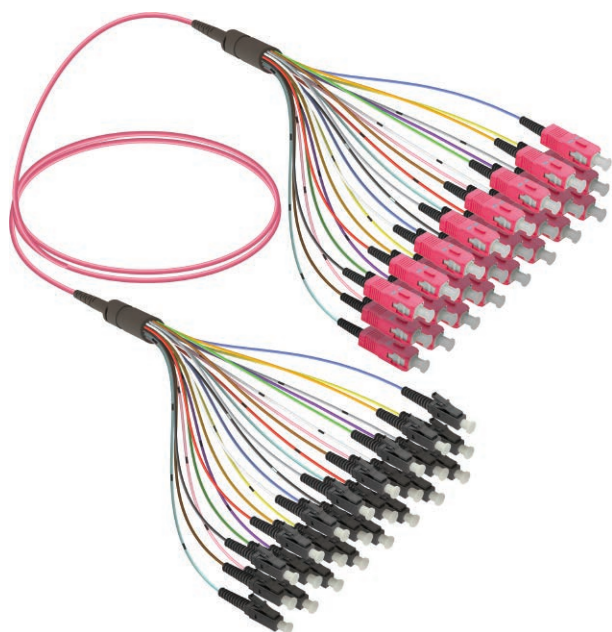
LC Connector Compliance	IEC 61754-20, TIA 604-10-A, RoHS
SC Connector Compliance	IEC 61754-4, TIA 604-3, RoHS
Fiber Count	24 Fibers
Cable Diameter	3.0mm
Subunit Diameter	0.9mm
Alignment Technology	Full ceramic ferrule (Zirconia ZrO2)
Operating Temperature	-40°C to +85°C
Flammability	UL94 V-0
Durability	> 1000 mating cycles
Transmission with Applied Tensile Load	GR-326 CORE 4.4.3.5
Insertion Loss: IEC 61300-3-4-MB	Singlemode: ≤ 0.30dB
Return Loss: IEC 61300-3-6-MB	Singlemode UPC : ≥ 50dB Singlemode APC : ≥ 60dB
Connector End Face Geometry	IEC 61755-3



* X (Tube Length) is standard 1000mm. Please contact us for different tube length.

Sample Coding **I - PC - 24 - F - 309 - A2 - 24SCS - 24LCS - 05M**

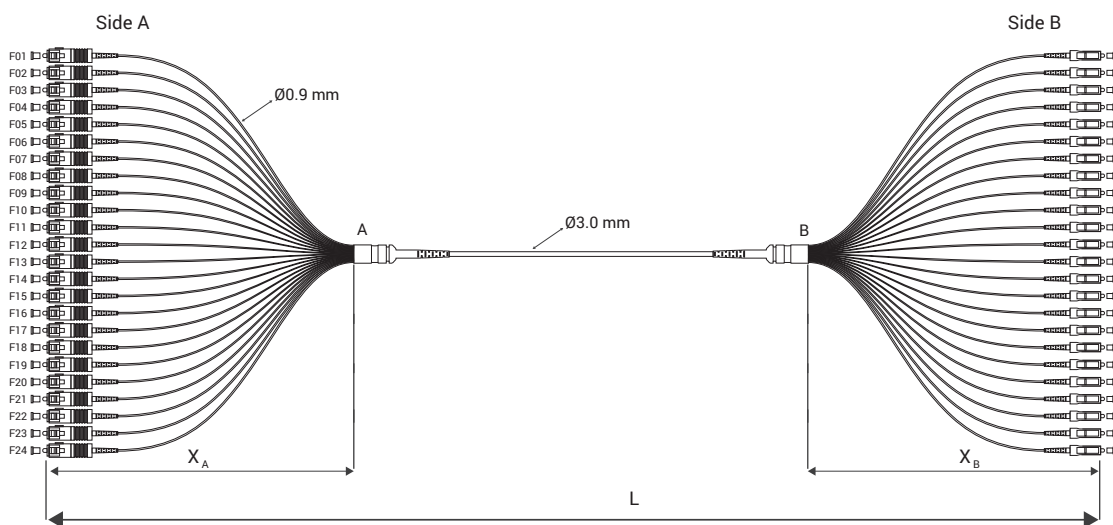
Type	Type	Fiber Count	Cable Type	Diameter	Fiber Type	1. Connector	2. Connector	Length
Indoor: I	Patch Cord: PC	24 Fibers: 24	Fanout: F	3.0/0.9mm: 309	SM G.657 A2: A2	SC-UPC: 24SCS SC-APC: 24SAS LC-UPC: 24LCS LC-APC: 24LAS	SC-UPC: 24SCS SC-APC: 24SAS LC-UPC: 24LCS LC-APC: 24LAS	__ M



24 Fibers Multi Mode Fanout | 0.9mm

Properties

LC Connector Compliance	IEC 61754-20, TIA 604-10-A, RoHS
SC Connector Compliance	IEC 61754-4, TIA 604-3, RoHS
Fiber Count	24 Fibers
Cable Diameter	3.0mm
Subunit Diameter	0.9mm
Alignment Technology	Full ceramic ferrule (Zirconia ZrO2)
Operating Temperature	-40°C to +85°C
Flammability	UL94 V-0
Durability	> 1000 mating cycles
Transmission with Applied Tensile Load	GR-326 CORE 4.4.3.5
Insertion Loss: IEC 61300-3-4-MB	Multimode: ≤ 0.40dB
Return Loss: IEC 61300-3-6-MB	Multimode: ≥ 40dB
Connector End Face Geometry	IEC 61755-3



* X (Tube Length) is standard 1000mm. Please contact us for different tube length.

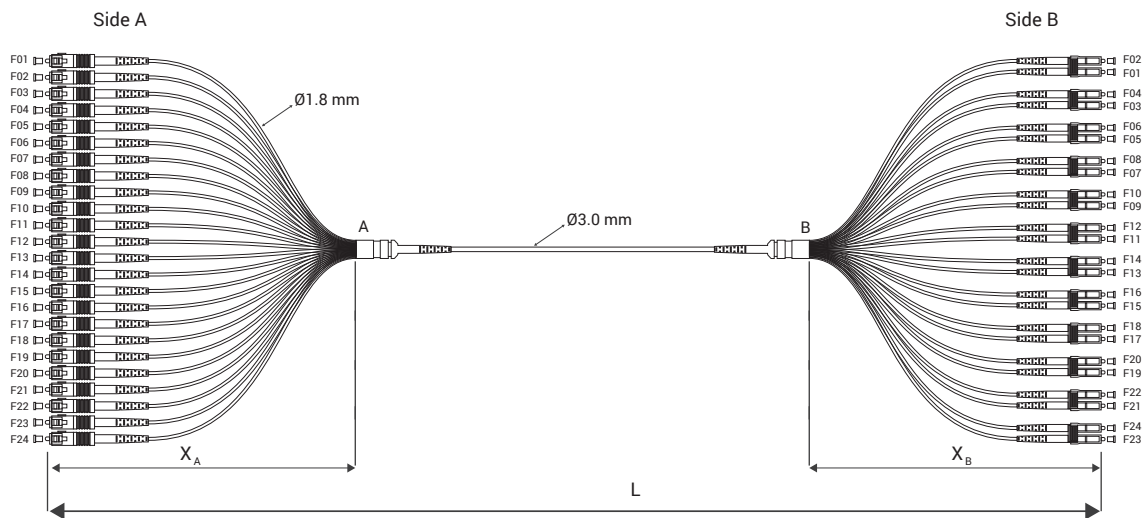
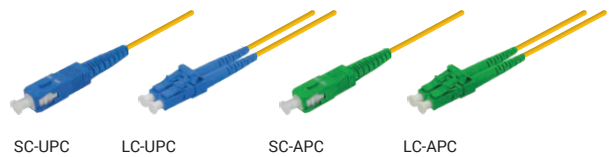
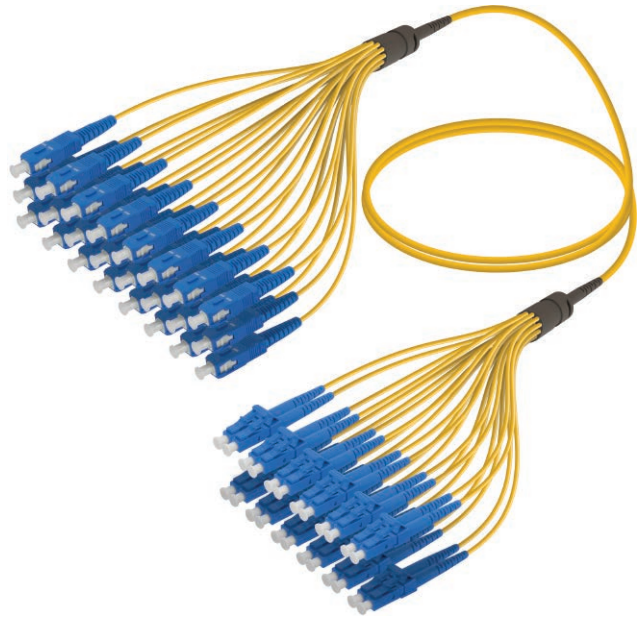
Sample Coding **I - PC - 24 - F - 309 - M4 - 24SCS - 24LCS - 05M**

Type	Type	Fiber Count	Cable Type	Diameter	Fiber Type	1. Connector	2. Connector	Length
Indoor: I	Patch Cord: PC	24 Fibers: 24	Fanout: F	3.0/0.9mm: 309	MM G.651 OM3: M3 MM G.651 OM4: M4	SC-UPC: 24SCS LC-UPC: 24LCS	SC-UPC: 24SCS LC-UPC: 24LCS	_ _ M

24 Fibers Single Mode Fanout | 1.8mm

Properties

LC Connector Compliance	IEC 61754-20, TIA 604-10-A, RoHS
SC Connector Compliance	IEC 61754-4, TIA 604-3, RoHS
Fiber Count	24 Fibers
Cable Diameter	3.0mm
Subunit Diameter	1.8mm
Alignment Technology	Full ceramic ferrule (Zirconia ZrO2)
Operating Temperature	-40°C to +85°C
Flammability	UL94 V-0
Durability	> 1000 mating cycles
Transmission with Applied Tensile Load	GR-326 CORE 4.4.3.5
Insertion Loss: IEC 61300-3-4-MB	Singlemode: ≤ 0.30dB
Return Loss: IEC 61300-3-6-MB	Singlemode UPC : ≥ 50dB Singlemode APC : ≥ 60dB
Connector End Face Geometry	IEC 61755-3

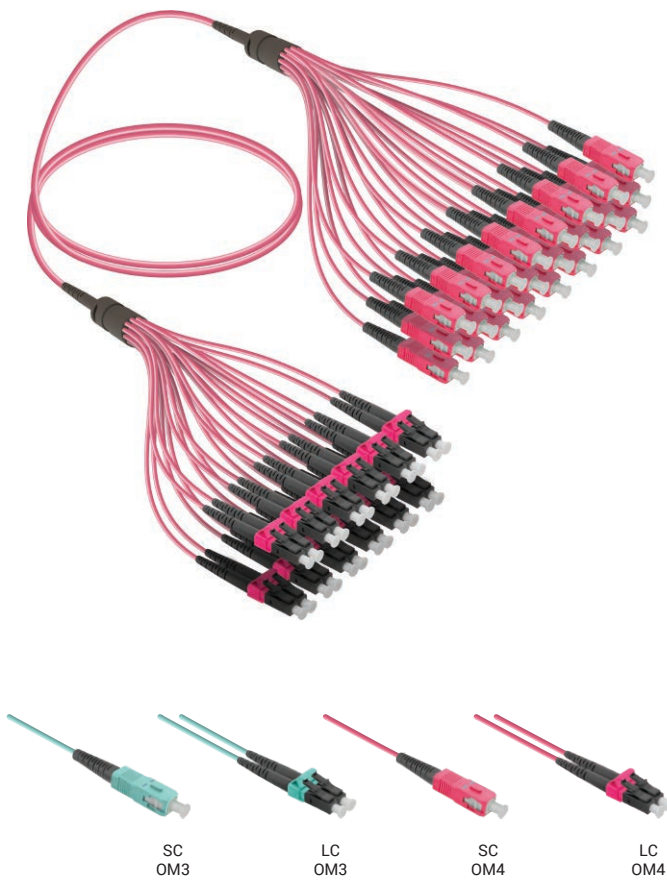


* X (Tube Length) is standard 500mm. Please contact us for different tube length.

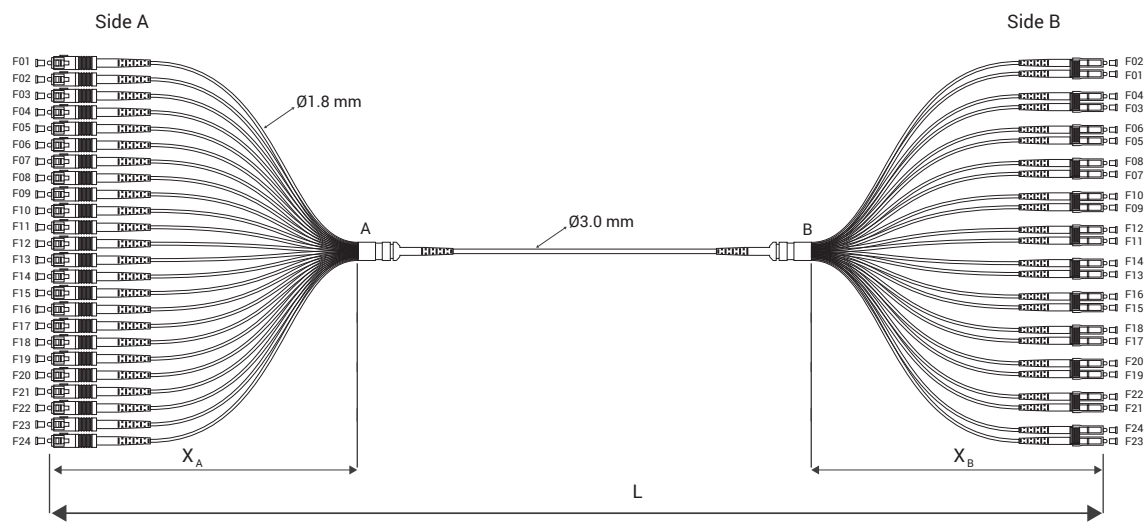
Sample Coding **I - PC - 24 - F - 318 - A2 - 24SCS - 12LCD - 05M**

Type	Type	Fiber Count	Cable Type	Diameter	Fiber Type	1. Connector	2. Connector	Length
Indoor: I	Patch Cord: PC	24 Fibers: 24	Fanout: F	3.0/1.8mm: 318	SM G.657 A2: A2	SC-UPC: 24SCS SC-APC: 24SAS LC-UPC: 12LCD LC-APC: 12LAD	SC-UPC: 24SCS SC-APC: 24SAS LC-UPC: 12LCD LC-APC: 12LAD	__ M

24 Fibers Multi Mode Fanout | 1.8mm



Properties	
LC Connector Compliance	IEC 61754-20, TIA 604-10-A, RoHS
SC Connector Compliance	IEC 61754-4, TIA 604-3, RoHS
Fiber Count	24 Fibers
Cable Diameter	3.0mm
Subunit Diameter	1.8mm
Alignment Technology	Full ceramic ferrule (Zirconia ZrO2)
Operating Temperature	-40°C to +85°C
Flammability	UL94 V-0
Durability	> 1000 mating cycles
Transmission with Applied Tensile Load	GR-326 CORE 4.4.3.5
Insertion Loss: IEC 61300-3-4-MB	Multimode: ≤ 0.40dB
Return Loss: IEC 61300-3-6-MB	Multimode: ≥ 40dB
Connector End Face Geometry	IEC 61755-3



* X (Tube Length) is standard 500mm. Please contact us for different tube length.

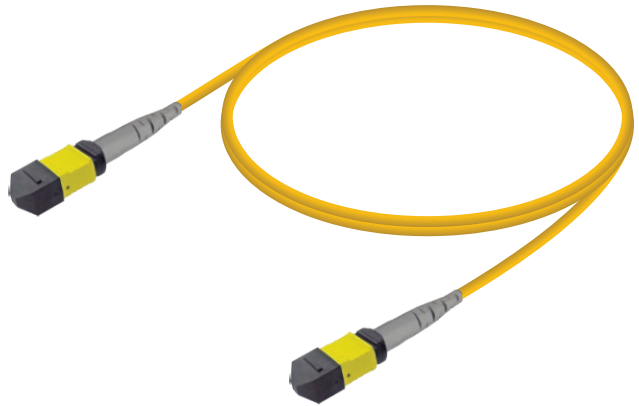
Sample Coding **I - PC - 24 - F - 318 - M4 - 24SCS - 12LCD - 05M**

Type	Type	Fiber Count	Cable Type	Diameter	Fiber Type	1. Connector	2. Connector	Length
Indoor: I	Patch Cord: PC	24 Fibers: 24	Fanout: F	3.0/1.8mm: 318	MM G.651 OM3: M3 MM G.651 OM4: M4	SC-UPC: 24SCS LC-UPC: 12LCD	SC-UPC: 24SCS LC-UPC: 12LCD	__ M

MTP-Elite Single Mode Patch Cord

Properties

MTP Connector Compliance	IEC 61754-7, TIA 604-5, RoHS
Base-8	8 Fibers
Base-12	12 Fibers
Base-24	24 Fibers
Cable Diameter	3.0mm
Operating Temperature	-10°C to +70°C
Flammability	UL94 V-0
Durability	> 100 mating cycles
Transmission with Applied Tensile Load	50 Newton
Insertion Loss: IEC 61300-3-4-MB	Average: 0,10dB, Max: 0,35dB
Return Loss: IEC 61300-3-6-MB	Singlemode: ≥ 60dB



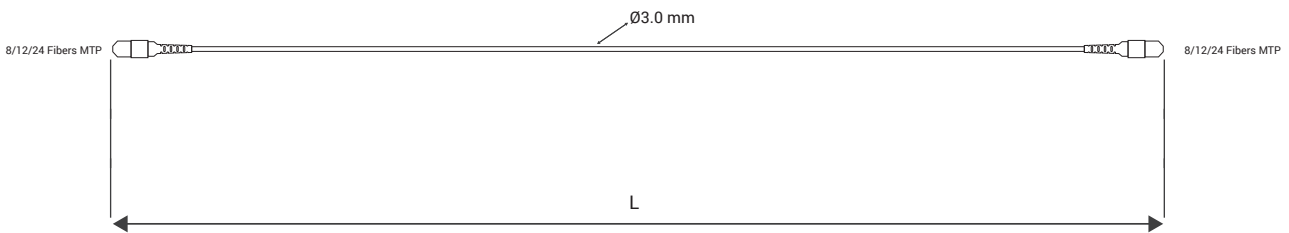
MTP-A2
Base-8



MTP-A2
Base-12



MTP-A2
Base-24



Sample Coding

I - PC - 8 - M - 30 - A2 - B - MTPEf - MTPEf - 05M

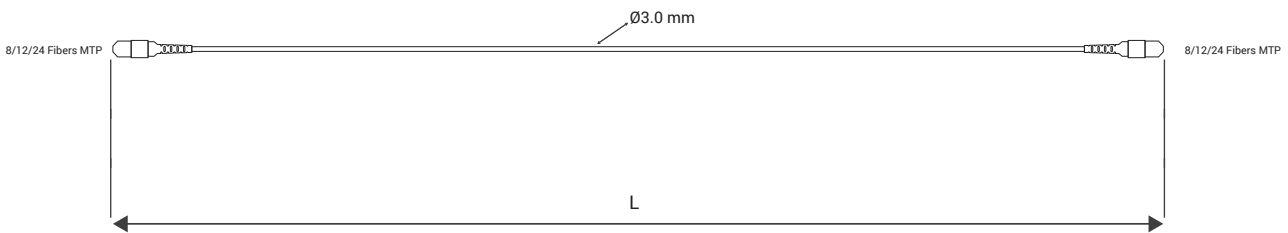
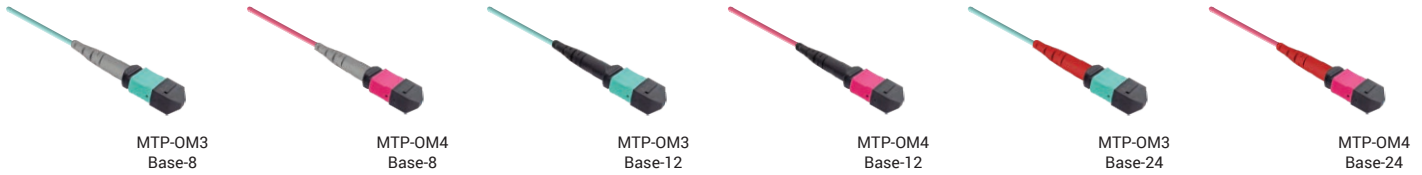
Type	Type	Fiber Count	Cable Type	Diameter	Fiber Type	Polarization	1. Connector	2. Connector	Length
Indoor: I	Patch Cord: PC	8 Fibers: 8 12 Fibers: 12 24 Fibers: 24	MTP/MTP: M	3.0mm: 30	SM G.657 A2: A2	A Polarization: A B Polarization: B	MTP-Female: MTPEf MTP-Male: MTPEm	MTP-Female: MTPEf MTP-Male: MTPEm	... M

MTP-Elite Multi Mode Patch Cord

Properties



MTP Connector Compliance	IEC 61754-7, TIA 604-5, RoHS
Base-8	8 Fibers
Base-12	12 Fibers
Base-24	24 Fibers
Cable Diameter	3.0mm
Operating Temperature	-10°C to +70°C
Flammability	UL94 V-0
Durability	> 100 mating cycles
Transmission with Applied Tensile Load	50 Newton
Insertion Loss: IEC 61300-3-4-MB	Average: 0,10dB, Max: 0,35dB
Return Loss: IEC 61300-3-6-MB	Multimode: ≥ 20dB



Sample Coding

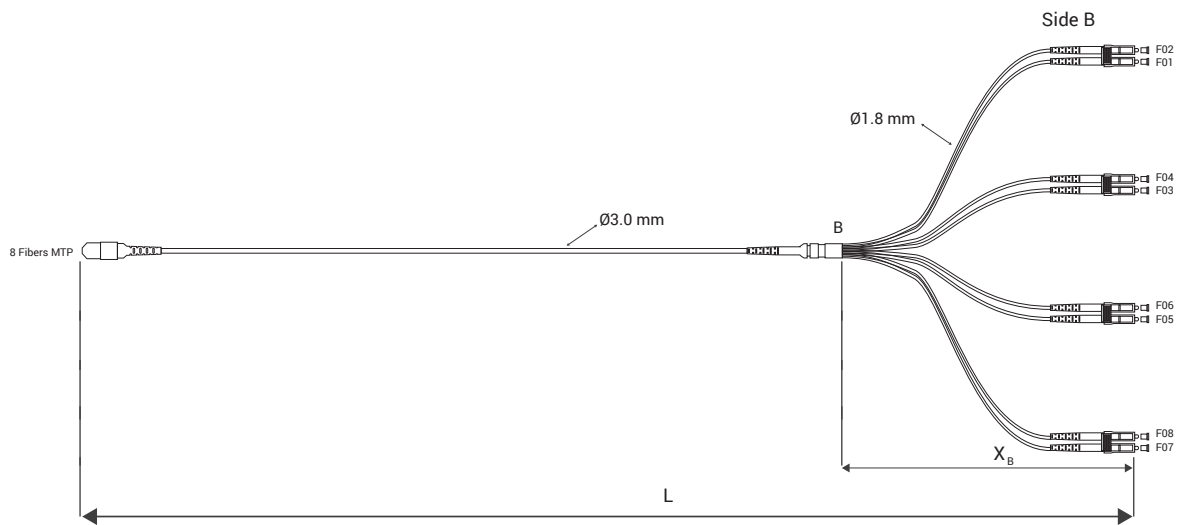
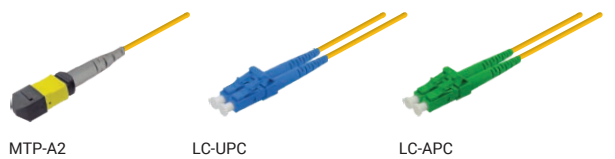
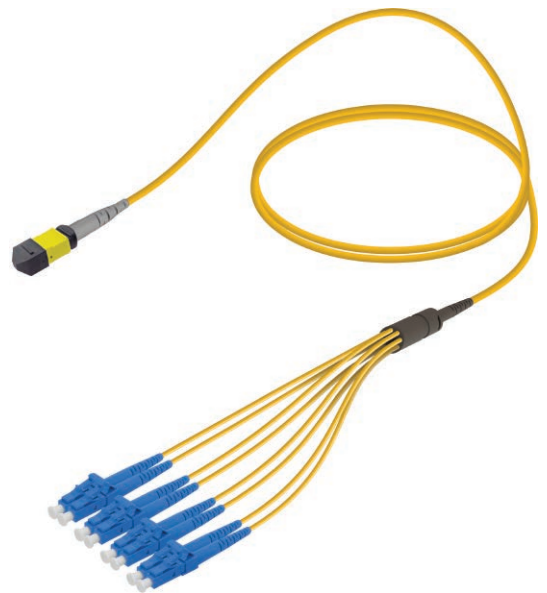
I - PC - 8 - M - 30 - M4 - B - MTPEf - MTPEf - 05M

Type	Type	Fiber Count	Cable Type	Diameter	Fiber Type	Polarization	1. Connector	2. Connector	Length
Indoor: I	Patch Cord: PC	8 Fibers: 8 12 Fibers: 12 24 Fibers: 24	MTP/MTP: M	3.0mm: 30	MM G.651 OM3: M3 MM G.651 OM4: M4	A Polarization: A B Polarization: B	MTP-Female: MTPEf MTP-Male: MTPEm	MTP-Female: MTPEf MTP-Male: MTPEm	... M

8 Fibers SM MTP-LC Fanout | 1.8mm

Properties

MTP Connector Compliance	EC 61754-7, TIA 604-5, RoHS
LC Connector Compliance	IEC 61754-20, TIA 604-10-A, RoHS
Base-8	8 Fibers
Cable Diameter	3.0mm
Subunit Diameter	1.8mm
Alignment Technology LC Side	Full ceramic ferrule (Zirconia ZrO ₂)
Operating Temperature	-10°C to +70°C
Flammability	UL94 V-0
Durability (MTP/LC)	> 100/1000 mating cycles
Transmission with Applied Tensile Load	50 Newton
Insertion Loss: IEC 61300-3-4-MB	MTP ≤ 0,35dB (avg:0,1dB); LC ≤ 0.30dB
Return Loss: IEC 61300-3-6-MB	MTP: ≥60dB LC: UPC ≥50dB; APC ≥60dB
Connector End Face Geometry	IEC 61755-3



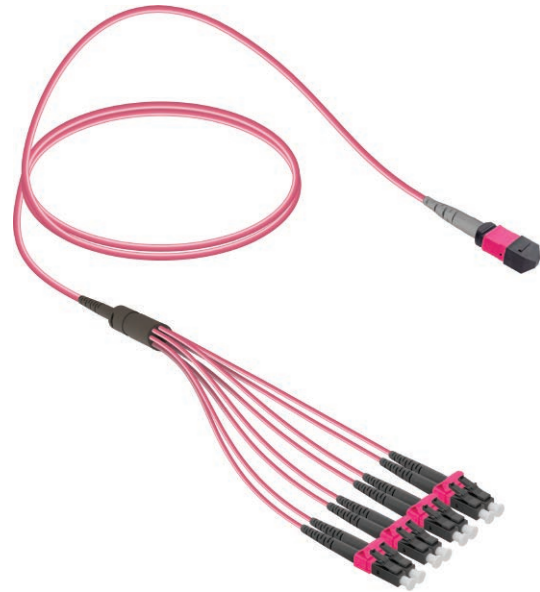
* X (Tube Length) is standard 500mm. Please contact us for different tube length.

Sample Coding

I - PC - 8 - M - 318 - A2 - B - MTPEf - 04LCD - 05M

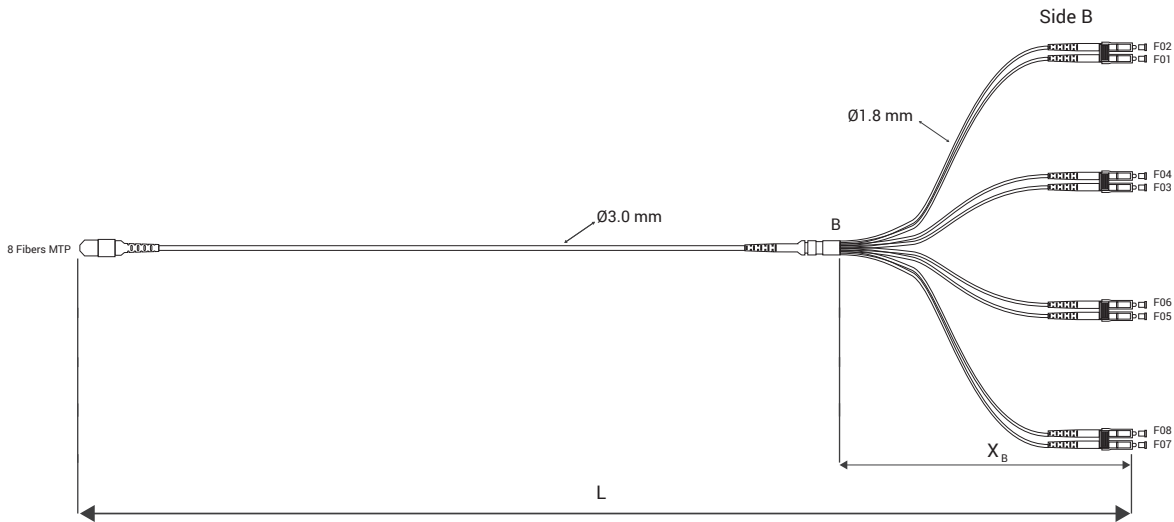
Type	Type	Fiber Count	Cable Type	Diameter	Fiber Type	Polorization	1. Connector	2. Connector	Length
Indoor:	I	Patch Cord: 8 Fibers: 8	MTP/Fanout: M	3.0/1.8mm: 318	SM G.657 A2: A2	A Polorization: A B Polorizaf: B	MTP-Female: MTPEf MTP-Male: MTPem	LC-UPC: 04LCD LC-APC: 04LAD	-- M

8 Fibers MM MTP-LC Fanout | 1.8mm



Properties

MTP Connector Compliance	IEC 61754-7, TIA 604-5, RoHS
LC Connector Compliance	IEC 61754-20, TIA 604-10-A, RoHS
Base-8	8 Fibers
Cable Diameter	3.0mm
Subunit Diameter	1.8mm
Alignment Technology LC Side	Full ceramic ferrule (Zirconia ZrO2)
Operating Temperature	-10°C to +70°C
Flammability	UL94 V-0
Durability (MTP/LC)	> 100/1000 mating cycles
Transmission with Applied Tensile Load	50 Newton
Insertion Loss: IEC 61300-3-4-MB	MTP ≤ 0,35dB (avg: 0,1dB); LC ≤ 0,4dB
Return Loss: IEC 61300-3-6-MB	MTP ≥ 20dB; LC ≥ 40dB
Connector End Face Geometry	IEC 61755-3



* X (Tube Length) is standard 500mm. Please contact us for different tube length.

Sample Coding

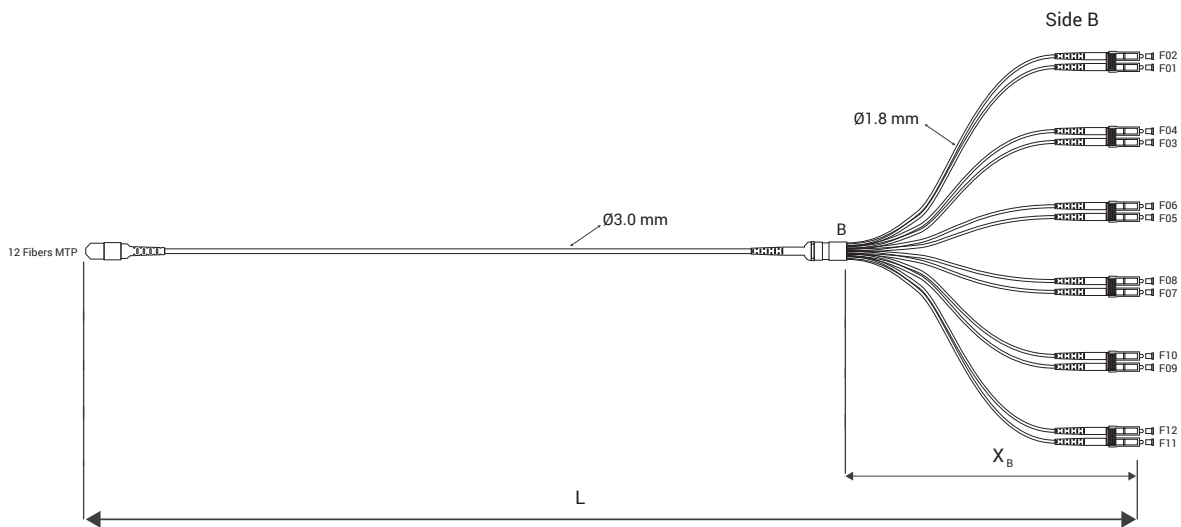
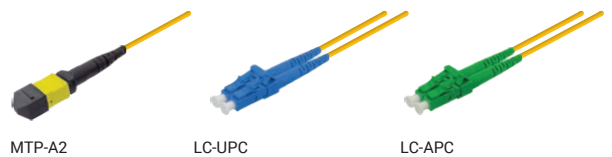
I - PC - 8 - M - 318 - M4 - B - MTPEf - 04LCD - 05M

Type	Type	Fiber Count	Cable Type	Diameter	Fiber Type	Polarization	1. Connector	2. Connector	Length	
Indoor:	I	Patch Cord: PC	8 Fibers: 8	MTP/Fanout: M	3.0/1.8mm: 318	MM G.651 OM3: M3 MM G.651 OM4: M4	A Polarization: A B Polarization: B	MTP-Female: MTPEf MTP-Male: MTPEm	LC-UPC: 04LCD	_ _ M

12 Fibers SM MTP-LC Fanout | 1.8mm

Properties

MTP Connector Compliance	IEC 61754-7, TIA 604-5, RoHS
LC Connector Compliance	IEC 61754-20, TIA 604-10-A, RoHS
Base-12	12 Fibers
Cable Diameter	3.0mm
Subunit Diameter	1.8mm
Alignment Technology LC Side	Full ceramic ferrule (Zirconia ZrO2)
Operating Temperature	-10°C to +70°C
Flammability	UL94 V-0
Durability (MTP/LC)	> 100/1000 mating cycles
Transmission with Applied Tensile Load	50 Newton
Insertion Loss: IEC 61300-3-4-MB	MTP ≤ 0,35dB (avg: 0,1 dB); LC ≤ 0.30dB
Return Loss: IEC 61300-3-6-MB	MTP: ≥ 60dB LC: UPC ≥ 50dB; APC ≥ 60dB
Connector End Face Geometry	IEC 61755-3



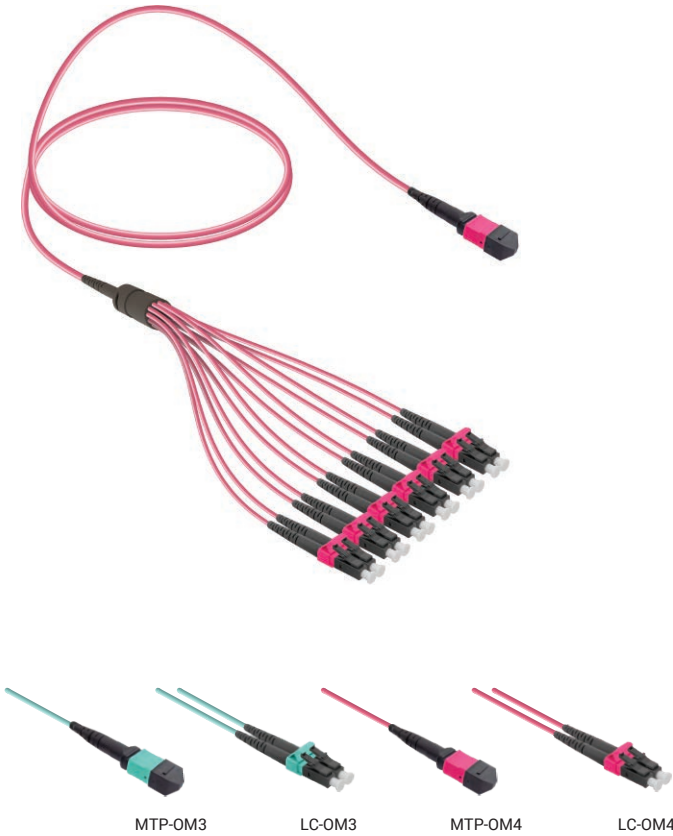
* X (Tube Length) is standard 500mm. Please contact us for different tube length.

Sample Coding

I - PC - 12 - M - 318 - A2 - B - MTPEf - 06LCD - 05M

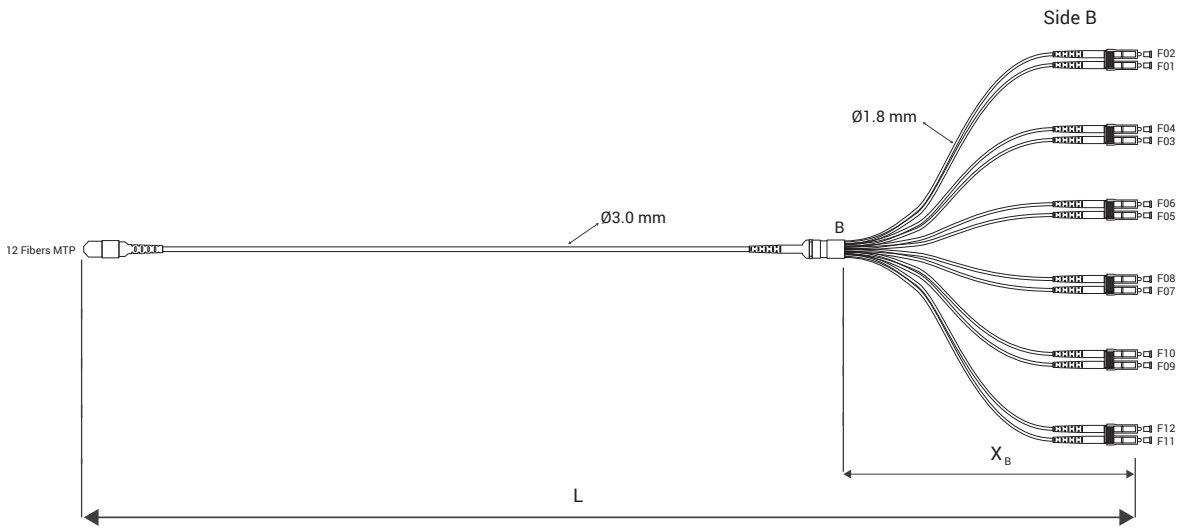
Type	Type	Fiber Count	Cable Type	Diameter	Fiber Type	Polarization	1. Connector	2. Connector	Length
Indoor: I	Patch Cord: PC	12 Fibers: 12	MTP/Fanout: M	3.0/1.8mm: 318	SM G.657 A2: A2	A Polarization: A B Polarization: B	MTP-Female: MTPEf MTP-Male: MTPem	LC-UPC: 06LCD LC-APC: 06LAD	... M

12 Fibers MM MTP-LC Fanout | 1.8mm



Properties

MTP Connector Compliance	IEC 61754-7, TIA 604-5, RoHS
LC Connector Compliance	IEC 61754-20, TIA 604-10-A, RoHS
Base-12	12 Fibers
Cable Diameter	3.0mm
Subunit Diameter	1.8mm
Alignment Technology LC Side	Full ceramic ferrule (Zirconia ZrO2)
Operating Temperature	-10°C to +70°C
Flammability	UL94 V-0
Durability (MTP/LC)	> 100/1000 mating cycles
Transmission with Applied Tensile Load	50 Newton
Insertion Loss: IEC 61300-3-4-MB	MTP ≤ 0,35dB (avg: 0,1dB); LC ≤ 0,4dB
Return Loss: IEC 61300-3-6-MB	MTP ≥ 20dB; LC ≥ 40dB
Connector End Face Geometry	IEC 61755-3



* X (Tube Length) is standard 500mm. Please contact us for different tube length.

Sample Coding

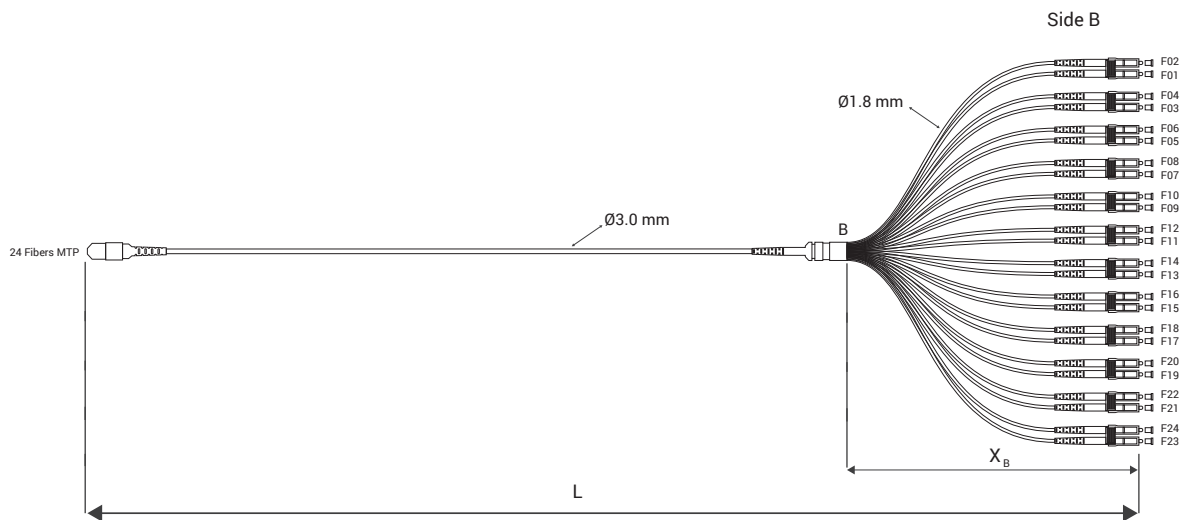
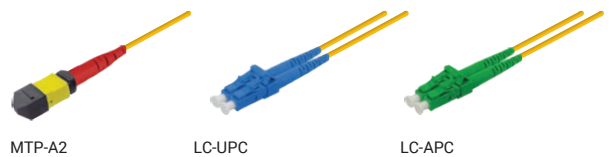
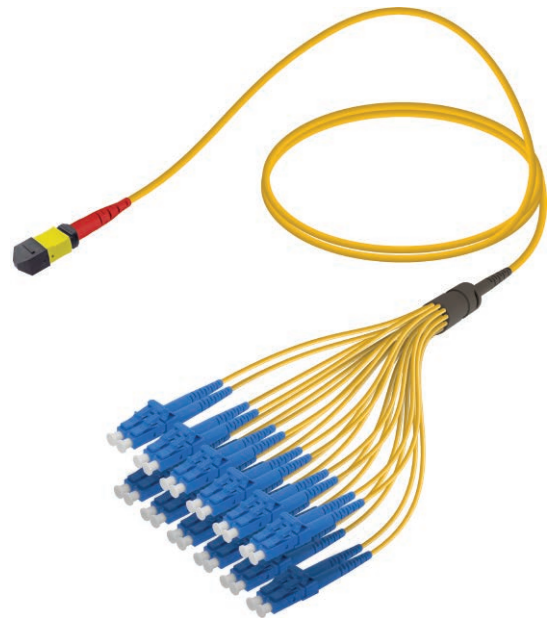
I - PC - 12 - M - 318 - M4 - B - MTPEf - 06LCD - 05M

Type	Type	Fiber Count	Cable Type	Diameter	Fiber Type	Polarization	1. Connector	2. Connector	Length
Indoor: I	Patch Cord: PC	12 Fibers: 12	MTP/Fanout: M	3.0/1.8mm: 318	MM G.651 OM3: M3 MM G.651 OM4: M4	A Polarization: A B Polarization: B	MTP-Female: MTPEf MTP-Male: MTPem	LC-UPC: 06LCD	_ _ M

24 Fibers SM MTP-LC Fanout | 1.8mm

Properties

MTP Connector Compliance	EC 61754-7, TIA 604-5, RoHS
LC Connector Compliance	IEC 61754-20, TIA 604-10-A, RoHS
Base-24	24 Fibers
Cable Diameter	3.0mm
Subunit Diameter	1.8mm
Alignment Technology LC Side	Full ceramic ferrule (Zirconia ZrO2)
Operating Temperature	-10°C to +70°C
Flammability	UL94 V-0
Durability (MTP/LC)	> 100/1000 mating cycles
Transmission with Applied Tensile Load	50 Newton
Insertion Loss: IEC 61300-3-4-MB	MTP ≤ 0,35dB (avg: 0,1 dB); LC ≤ 0.30dB
Return Loss: IEC 61300-3-6-MB	MTP: ≥ 60dB LC: UPC ≥ 50dB; APC ≥ 60dB
Connector End Face Geometry	IEC 61755-3



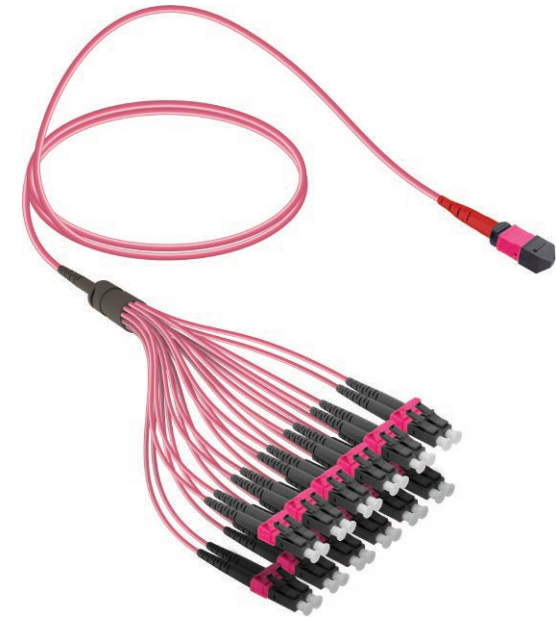
* X (Tube Length) is standard 500mm. Please contact us for different tube length.

Sample Coding

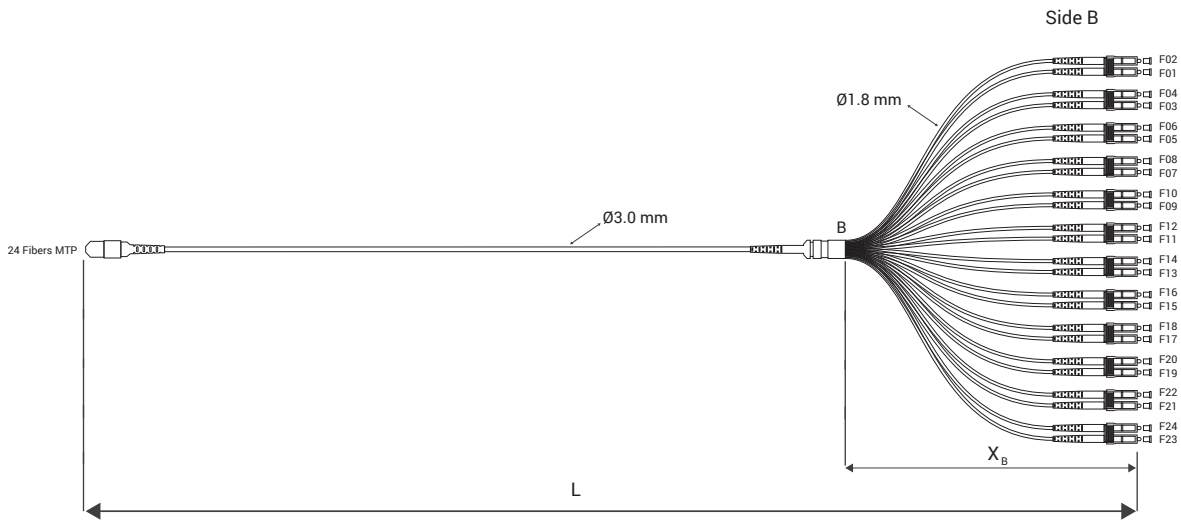
I - PC - 24 - M - 318 - A2 - B - MTPEf - 12LCD - 05M

Type	Type	Fiber Count	Cable Type	Diameter	Fiber Type	Polarization	1. Connector	2. Connector	Length
Indoor: I	Patch Cord: PC	24 Fibers: 24	MTP/Fanout: M	3.0/1.8mm: 318	SM G.657 A2: A2	A Polarization: A B Polarization: B	MTP-Female: MTPEf MTP-Male: MTPEm	LC-UPC: 12LCD LC-APC: 12LAD	_ _ M

24 Fibers MM MTP-LC Fanout | 1.8mm



Properties	
MTP Connector Compliance	IEC 61754-7, TIA 604-5, RoHS
LC Connector Compliance	IEC 61754-20, TIA 604-10-A, RoHS
Base-24	24 Fibers
Cable Diameter	3.0mm
Subunit Diameter	1.8mm
Alignment Technology LC Side	Full ceramic ferrule (Zirconia ZrO2)
Operating Temperature	-10°C to +70°C
Flammability	UL94 V-0
Durability (MTP/LC)	> 100/1000 mating cycles
Transmission with Applied Tensile Load	50 Newton
Insertion Loss: IEC 61300-3-4-MB	MTP ≤ 0,35dB (avg: 0,1dB); LC ≤ 0,4dB
Return Loss: IEC 61300-3-6-MB	MTP: ≥ 20dB; LC: ≥ 40dB
Connector End Face Geometry	IEC 61755-3



* X (Tube Length) is standard 500mm. Please contact us for different tube length.

Sample Coding

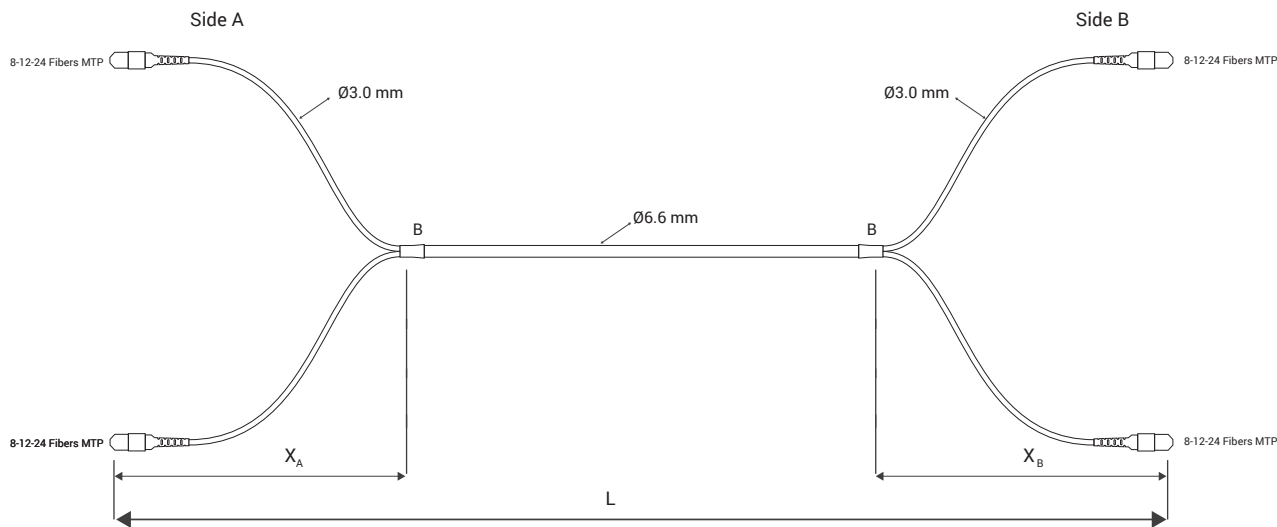
I - PC - 24 - M - 318 - M4 - B - MTPEf - 12LCD - 05M

Type	Type	Fiber Count	Cable Type	Diameter	Fiber Type	Polarization	1. Connector	2. Connector	Length
Indoor: I	Patch Cord: PC	24 Fibers: 24	MTP/Fanout: M	3.0/1.8mm: 318	MM G.651 OM3: M3 MM G.651 OM4: M4	A Polarization: A B Polarization: B	MTP-Female: MTPEf MTP-Male: MTPEm	LC-UPC: 12LCD	_ _ M

2xMTP-2xMTP Single Mode Breakout

Properties

MTP Connector Compliance	IEC 61754-7, TIA 604-5, RoHS
Base-8	16 Fibers
Base-12	24 Fibers
Base-24	48 Fibers
Cable Diameter	6.6mm
Subunit Diameter	3.0mm
Operating Temperature	-10°C to +70°C
Flammability	UL94 V-0
Durability	> 100 mating cycles
Transmission with Applied Tensile Load	50 Newton
Insertion Loss: IEC 61300-3-4-MB	Average: 0,10dB, Max: 0,35dB
Return Loss: IEC 61300-3-6-MB	Singlemode: ≥ 60dB

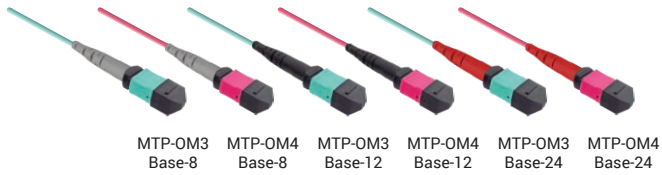


* X (Tube Length) is standard 500mm. Please contact us for different tube length.

Sample Coding

I - PC - 24 - M - 663 - A2 - B - 02MTPEf - 02MTPEf - 05M

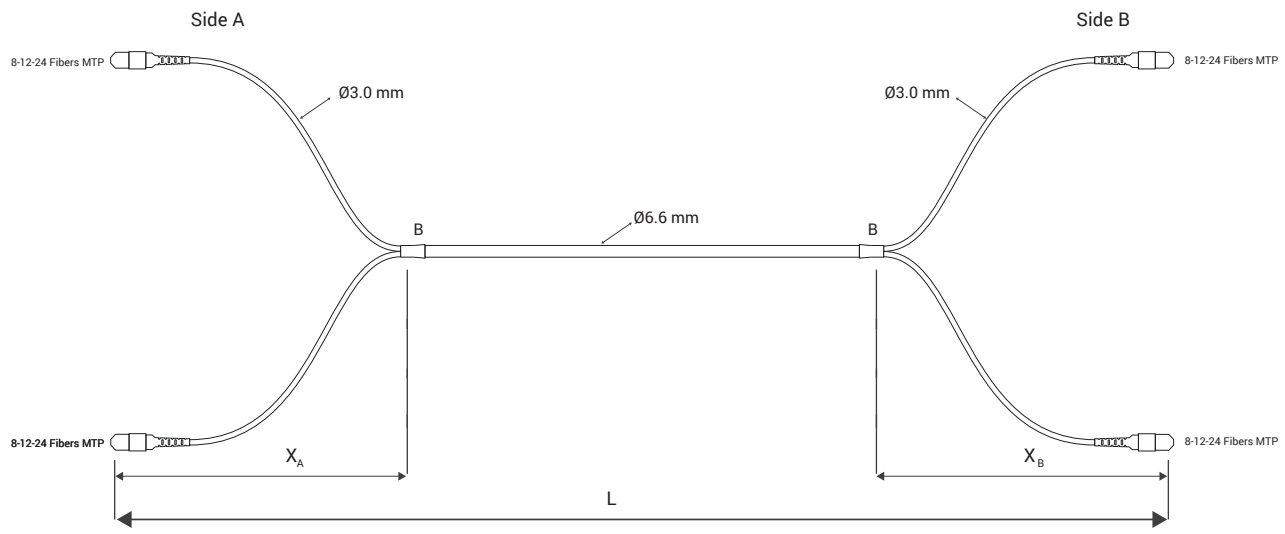
Type	Type	Fiber Count	Cable Type	Diameter	Fiber Type	Polorization	1. Connector	2. Connector	Length
Indoor:	I Patch Cord: PC	8x2 Fibers: 16 12x2 Fibers: 24 24x2 Fibers: 48	MTP/Breakout: M	6.6/3.0mm: 663	SM G.657 A2: A2	A Polorization: A B Polorization: B	2xMTP-Female: 02MTPEf 2xMTP-Male: 02MTPEm	2xMTP-Female: 02MTPEf 2xMTP-Male: 02MTPEm	-- M



2xMTP-2xMTP Multi Mode Breakout

Properties

MTP Connector Compliance	IEC 61754-7, TIA 604-5, RoHS
Base-8	16 Fibers
Base-12	24 Fibers
Base-24	48 Fibers
Cable Diameter	6.6mm
Subunit Diameter	3.0mm
Operating Temperature	-10°C to +70°C
Flammability	UL94 V-0
Durability	> 100 mating cycles
Transmission with Applied Tensile Load	50 Newton
Insertion Loss: IEC 61300-3-4-MB	Average: 0,10dB, Max: 0,35dB
Return Loss: IEC 61300-3-6-MB	Multimode: ≥ 20dB



* X (Tube Length) is standard 500mm. Please contact us for different tube length.

Sample Coding

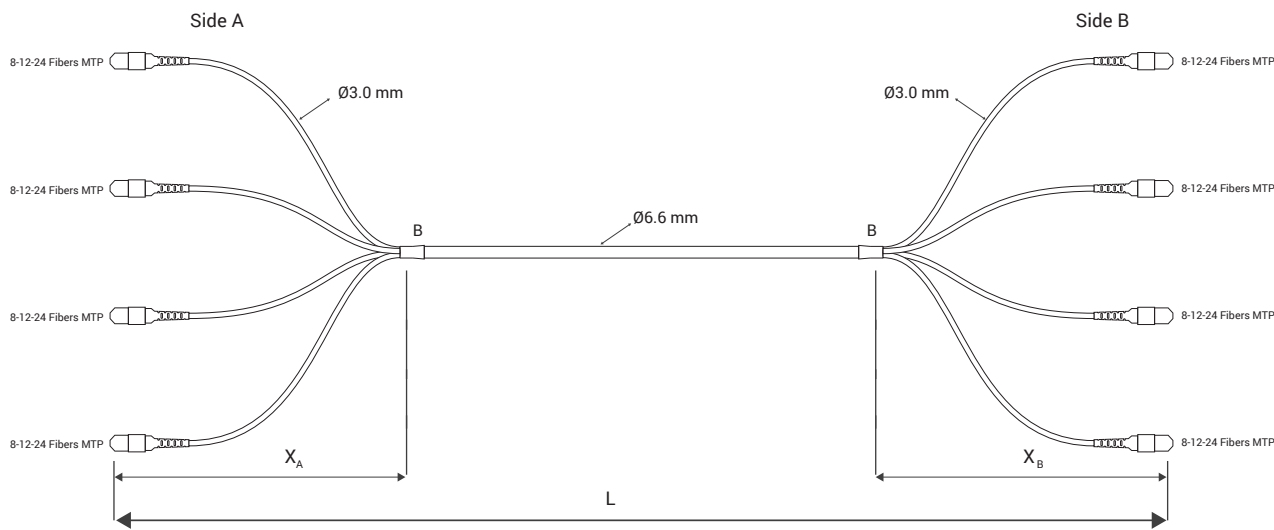
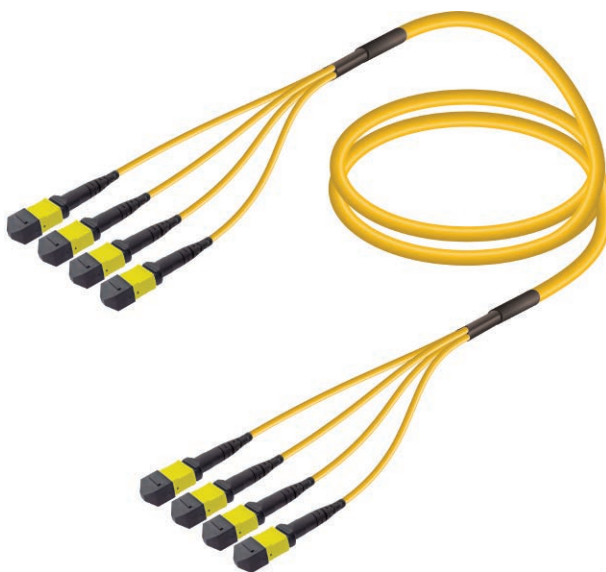
I - PC - 24 - M - 663 - M4 - B - 02MTPEf - 02MTPEf - 05M

Type	Type	Fiber Count	Cable Type	Diameter	Fiber Type	Polarization	1. Connector	2. Connector	Length
Indoor:	I	Patch Cord: PC 8x2 Fibers: 16 12x2 Fibers: 24 24x2 Fibers: 48	MTP/Breakout: M	6.6/3.0mm: 663	MM G.651 OM3: M3 MM G.651 OM4: M4	A Polarization: A B Polarization: B	2xMTP-Female: 02MTPEf 2xMTP-Male: 02MTPEm	2xMTP-Female: 02MTPEf 2xMTP-Male: 02MTPEm	... M

4xMTP-4xMTP Single Mode Breakout

Properties

MTP Connector Compliance	IEC 61754-7, TIA 604-5, RoHS
Base-8	32 Fibers
Base-12	48 Fibers
Base-24	96 Fibers
Cable Diameter	6.6mm
Subunit Diameter	3.0mm
Operating Temperature	-10°C to +70°C
Flammability	UL94 V-0
Durability	> 100 mating cycles
Transmission with Applied Tensile Load	50 Newton
Insertion Loss: IEC 61300-3-4-MB	Average: 0,10dB, Max: 0,35dB
Return Loss: IEC 61300-3-6-MB	Singlemode: ≥ 60dB



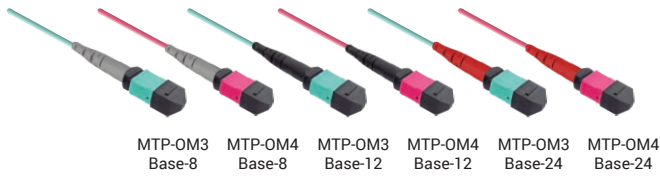
* X (Tube Length) is standard 500mm. Please contact us for different tube length.

Sample Coding

I - PC - 48 - M - 663 - A2 - B - 04MTPEf - 04MTPEf - 05M

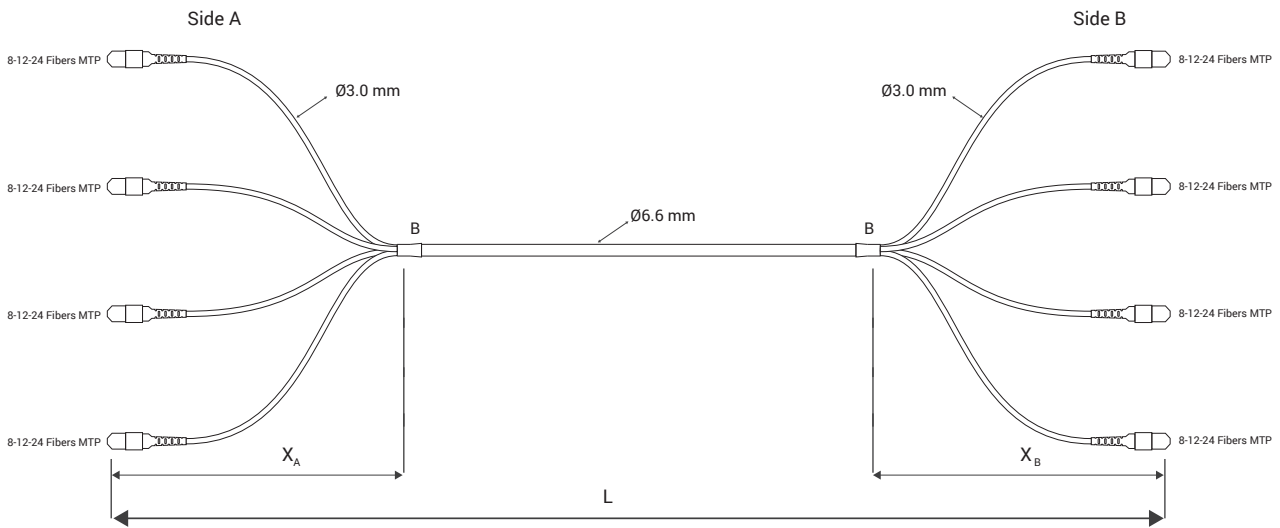
Type	Type	Fiber Count	Cable Type	Diameter	Fiber Type	Polarization	1. Connector	2. Connector	Length
Indoor: I	Patch Cord: PC	8x4 Fibers: 32 12x4 Fibers: 48 24x4 Fibers: 96	MTP/Breakout: M	6.6/3.0mm: 663	SM G.657 A2: A2	A Polarization: A B Polarization: B	4xMTP-Female: 04MTPEf 4xMTP-Male: 04MTPEm	4xMTP-Female: 04MTPEf 4xMTP-Male: 04MTPEm	-- M

4xMTP-4xMTP Multi Mode Breakout



Properties

MTP Connector Compliance	IEC 61754-7, TIA 604-5, RoHS
Base-8	32 Fibers
Base-12	48 Fibers
Base-24	96 Fibers
Cable Diameter	6.6mm
Subunit Diameter	3.0mm
Operating Temperature	-10°C to +70°C
Flammability	UL94 V-0
Durability	> 100 mating cycles
Transmission with Applied Tensile Load	50 Newton
Insertion Loss: IEC 61300-3-4-MB	Average: 0,10dB, Max: 0,35dB
Return Loss: IEC 61300-3-6-MB	Multimode: ≥ 20dB



* X (Tube Length) is standard 500mm. Please contact us for different tube length.

Sample Coding

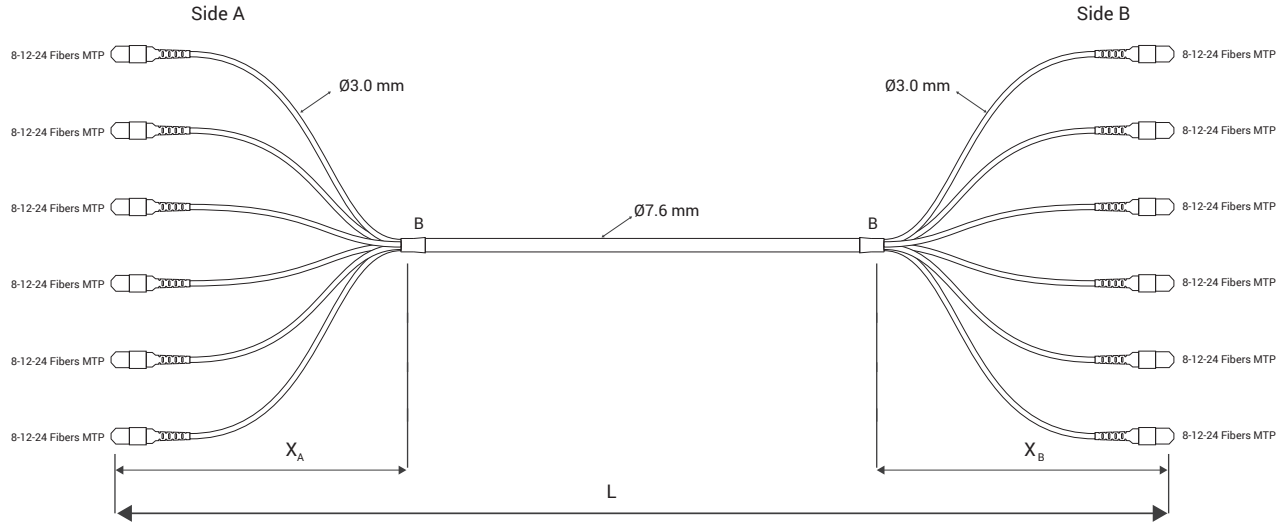
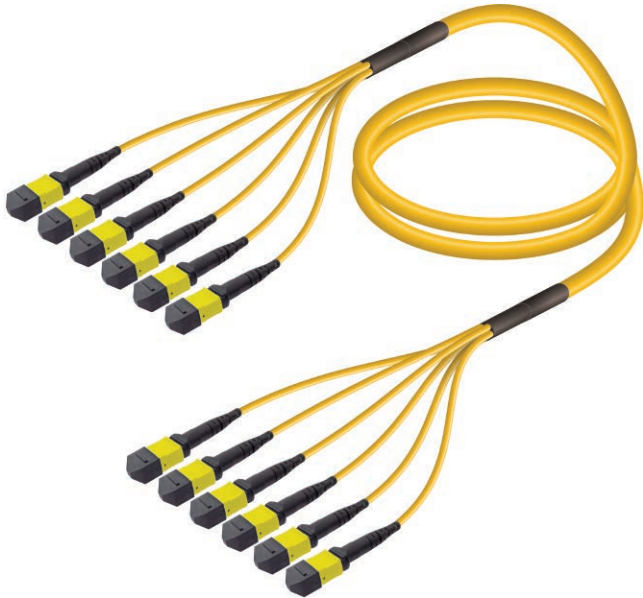
I - PC - 48 - M - 663 - M4 - B - 04MTPEf - 04MTPEf - 05M

Type	Type	Fiber Count	Cable Type	Diameter	Fiber Type	Polarization	1. Connector	2. Connector	Length
Indoor:	I	Patch Cord: PC 8x4 Fibers: 32 12x4 Fibers: 48 24x4 Fibers: 96	MTP/Breakout: M	6.6/3.0mm: 663	MM G.651 OM3: M3 MM G.651 OM4: M4	A Polarization: A B Polarization: B	4xMTP-Female: 04MTPEf 4xMTP-Male: 04MTPEm	4xMTP-Female: 04MTPEf 4xMTP-Male: 04MTPEm	... M

6xMTP-6xMTP Single Mode Breakout

Properties

MTP Connector Compliance	IEC 61754-7, TIA 604-5, RoHS
Base-8	48 Fibers
Base-12	72 Fibers
Base-24	144 Fibers
Cable Diameter	7.6mm
Subunit Diameter	3.0mm
Operating Temperature	-10°C to +70°C
Flammability	UL94 V-0
Durability	> 100 mating cycles
Transmission with Applied Tensile Load	50 Newton
Insertion Loss: IEC 61300-3-4-MB	Average: 0,10dB, Max: 0,35dB
Return Loss: IEC 61300-3-6-MB	Singlemode: ≥ 60dB



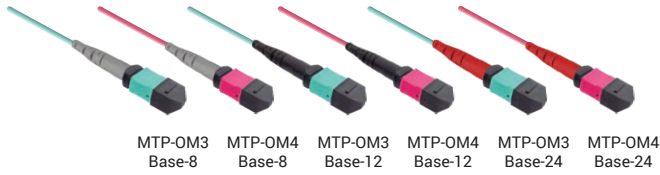
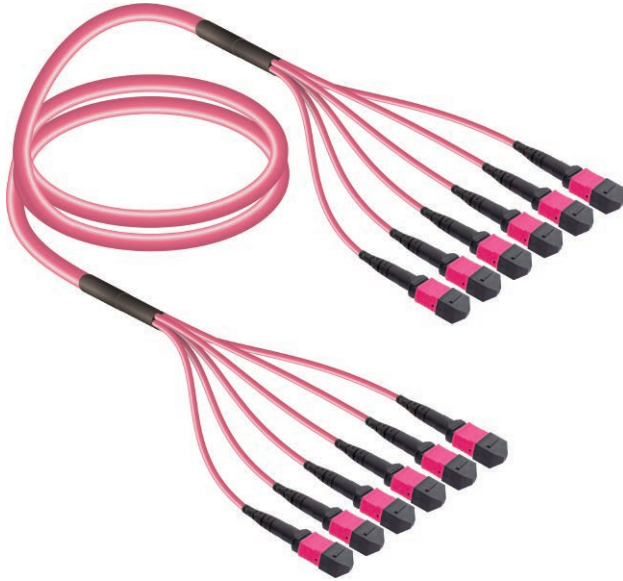
* X (Tube Length) is standard 500mm. Please contact us for different tube length.

Sample Coding

I - PC - 72 - M - 763 - A2 - B - 06MTPEf - 06MTPEf - 05M

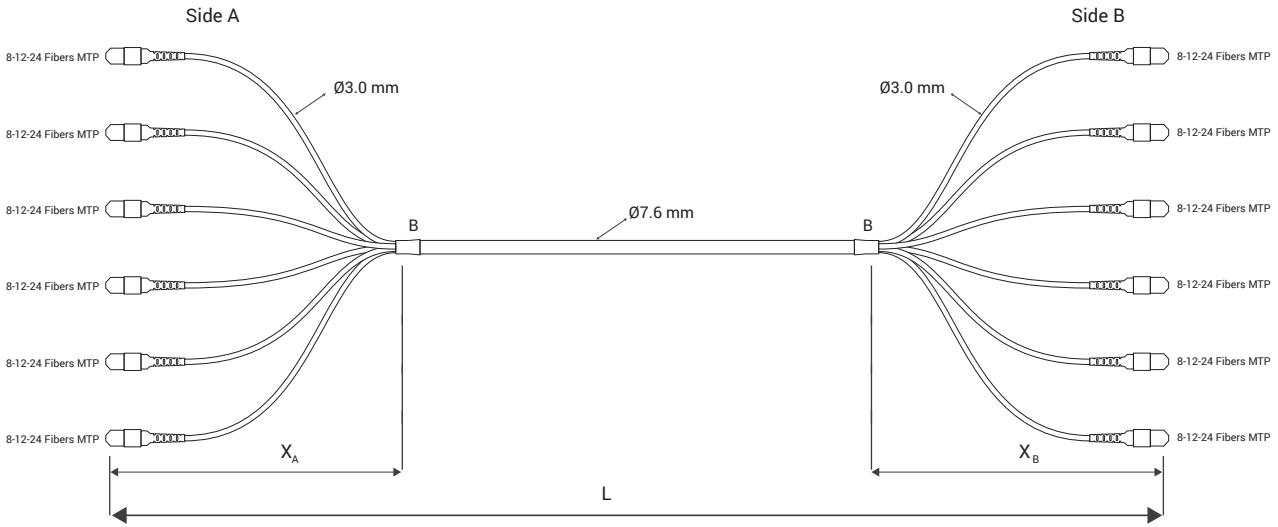
Type	Type	Fiber Count	Cable Type	Diameter	Fiber Type	Polarization	1. Connector	2. Connector	Length
Indoor: I	Patch Cord: PC	8x6 Fibers: 48 12x6 Fibers: 72 24x6 Fibers: 144	MTP/Breakout: M	7.6/3.0mm: 763	SM G.657 A2: A2	A Polarization: A B Polarization: B	6xMTP-Female: 06MTPEf 6xMTP-Male: 06MTPEm	6xMTP-Female: 06MTPEf 6xMTP-Male: 06MTPEm	-- M

6xMTP-6xMTP Multi Mode Breakout



Properties

MTP Connector Compliance	IEC 61754-7, TIA 604-5, RoHS
Base-8	48 Fibers
Base-12	72 Fibers
Base-24	144 Fibers
Cable Diameter	7.6mm
Subunit Diameter	3.0mm
Operating Temperature	-10°C to +70°C
Flammability	UL94 V-0
Durability	> 100 mating cycles
Transmission with Applied Tensile Load	50 Newton
Insertion Loss: IEC 61300-3-4-MB	Average: 0,10dB, Max: 0,35dB
Return Loss: IEC 61300-3-6-MB	Multimode: ≥ 20dB



* X (Tube Length) is standard 500mm. Please contact us for different tube length.

Sample Coding

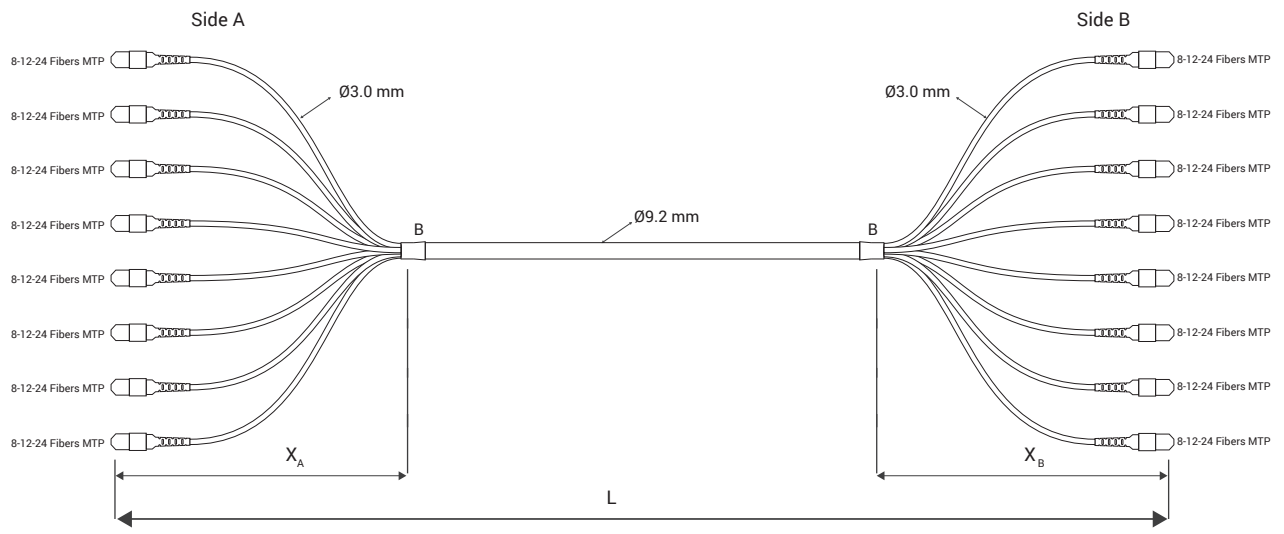
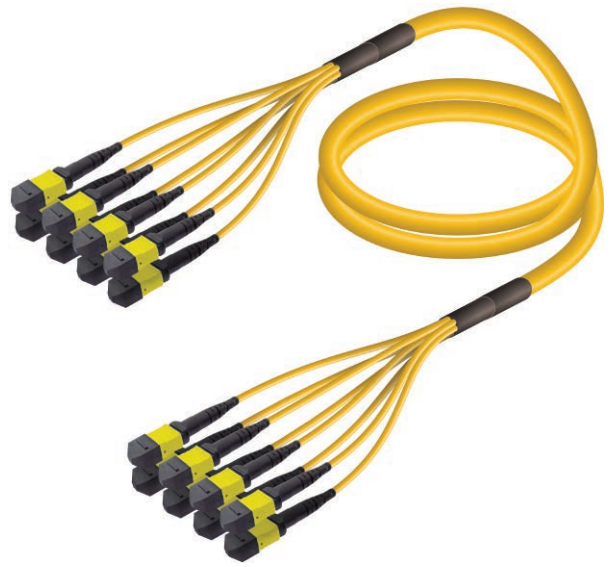
I - PC - 72 - M - 763 - M4 - B - 06MTPEf - 06MTPEf - 05M

Type	Type	Fiber Count	Cable Type	Diameter	Fiber Type	Polarization	1. Connector	2. Connector	Length
Indoor:	I Patch Cord: PC	8x6 Fibers: 48 12x6 Fibers: 72 24x6 Fibers: 144	MTP/Breakout: M	7.6/3.0mm: 763	MM G.651 OM3: M3 MM G.651 OM4: M4	A Polarization: A B Polarization: B	6xMTP-Female: 06MTPEf 6xMTP-Male: 06MTPEm	6xMTP-Female: 06MTPEf 6xMTP-Male: 06MTPEm	... M

8xMTP-8xMTP Single Mode Breakout

Properties

MTP Connector Compliance	IEC 61754-7, TIA 604-5, RoHS
Base-8	64 Fibers
Base-12	96 Fibers
Base-24	192 Fibers
Cable Diameter	9.2mm
Subunit Diameter	3.0mm
Operating Temperature	-10°C to +70°C
Flammability	UL94 V-0
Durability	> 100 mating cycles
Transmission with Applied Tensile Load	50 Newton
Insertion Loss: IEC 61300-3-4-MB	Average: 0,10dB, Max: 0,35dB
Return Loss: IEC 61300-3-6-MB	Singlemode: ≥ 60dB



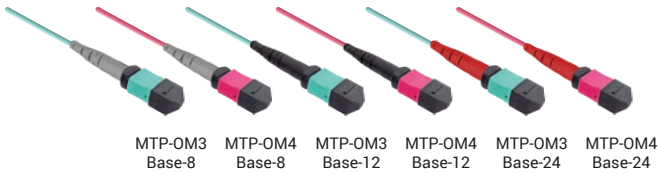
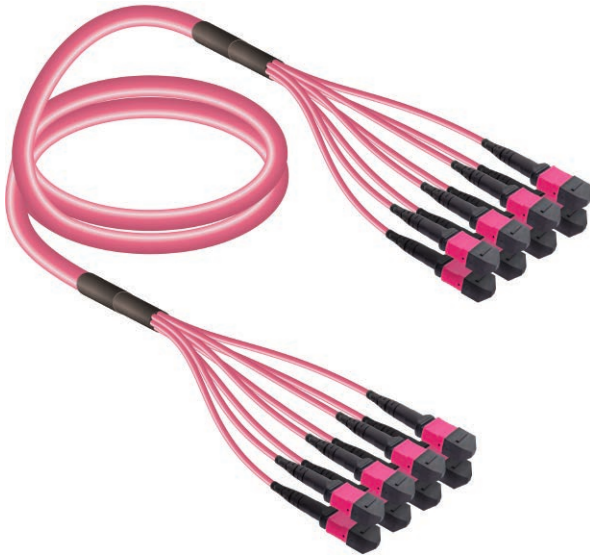
* X (Tube Length) is standard 500mm. Please contact us for different tube length.

Sample Coding

I - PC - 96 - M - 923 - A2 - B - 08MTPEf - 08MTPEf - 05M

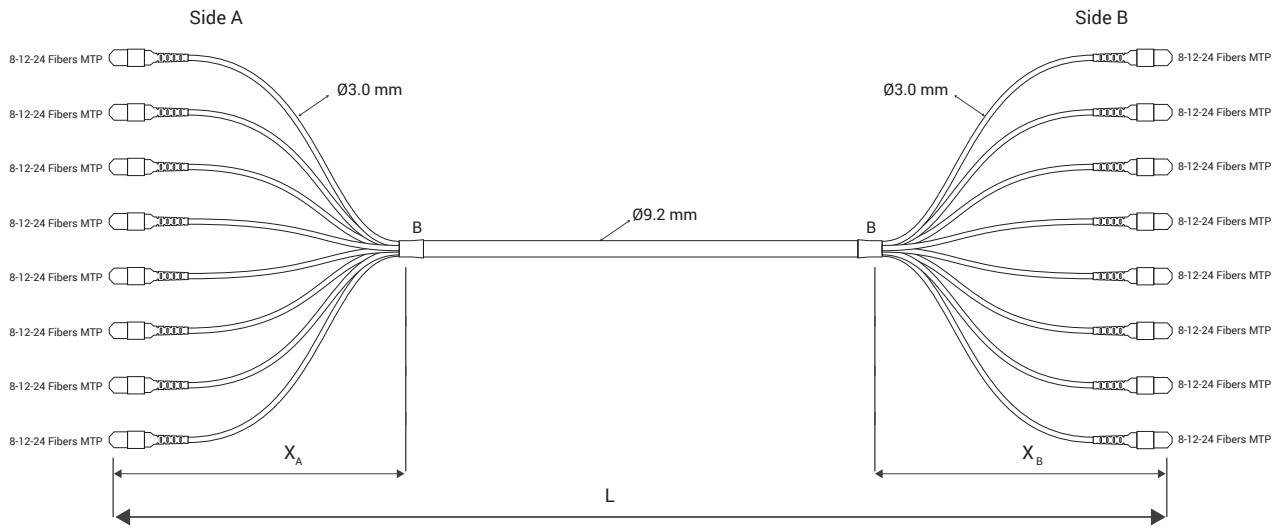
Type	Type	Fiber Count	Cable Type	Diameter	Fiber Type	Polorization	1. Connector	2. Connector	Length
Indoor:	I Patch Cord: PC	8x8 Fibers: 64 12x8 Fibers: 96 24x8 Fibers: 192	MTP/Breakout: M	9.2/3.0mm: 763	SM G.657 A2: A2	A Polarization: A B Polarization: B	8xMTP-Female: 08MTPEf 8xMTP-Male: 08MTPEm	8xMTP-Female: 08MTPEf 8xMTP-Male: 08MTPEm	_ _ M

8xMTP-8xMTP Multi Mode Breakout



Properties

MTP Connector Compliance	IEC 61754-7, TIA 604-5, RoHS
Base-8	64 Fibers
Base-12	96 Fibers
Base-24	192 Fibers
Cable Diameter	9.2mm
Subunit Diameter	3.0mm
Operating Temperature	-10°C to +70°C
Flammability	UL94 V-0
Durability	> 100 mating cycles
Transmission with Applied Tensile Load	50 Newton
Insertion Loss: IEC 61300-3-4-MB	Average: 0,10dB, Max: 0,35dB
Return Loss: IEC 61300-3-6-MB	Multimode: ≥ 20dB



* X (Tube Length) is standard 500mm. Please contact us for different tube length.

Sample Coding

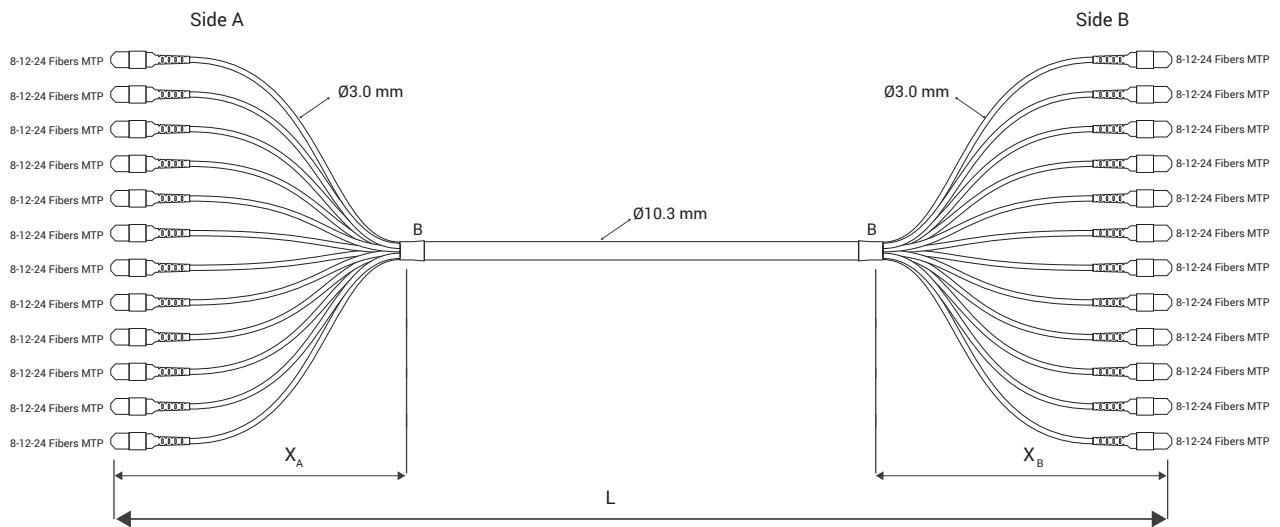
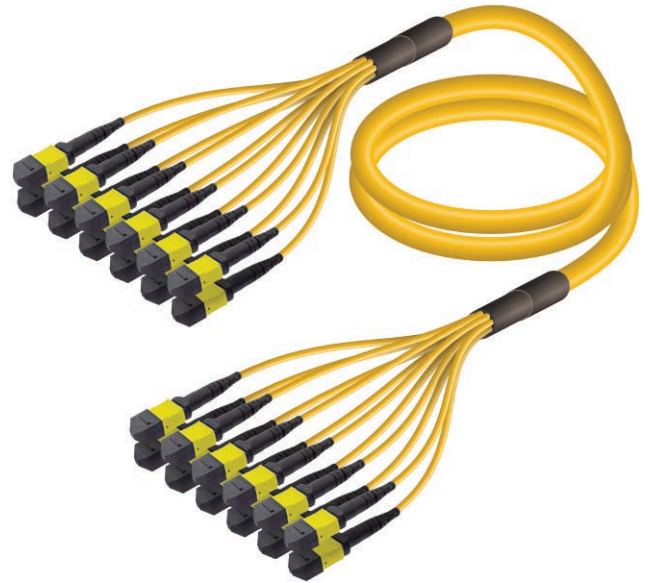
I - PC - 96 - M - 923 - M4 - B - 08MTPEf - 08MTPEf - 05M

Type	Type	Fiber Count	Cable Type	Diameter	Fiber Type	Polarization	1. Connector	2. Connector	Length
Indoor:	I Patch Cord: PC	8x8 Fibers: 64 12x8 Fibers: 96 24x8 Fibers: 192	MTP/Breakout: M	9.2/3.0mm: 923	MM G.651 OM3: M3 MM G.651 OM4: M4	A Polarization: A B Polarization: B	8xMTP-Female: 08MTPEf 8xMTP-Male: 08MTPEm	8xMTP-Female: 08MTPEf 8xMTP-Male: 08MTPEm	... M

12xMTP-12xMTP Single Mode Breakout

Properties

MTP Connector Compliance	IEC 61754-7, TIA 604-5, RoHS
Base-8	96 Fibers
Base-12	144 Fibers
Base-24	288 Fibers
Cable Diameter	10.3mm
Subunit Diameter	3.0mm
Operating Temperature	-10°C to +70°C
Flammability	UL94 V-0
Durability	> 100 mating cycles
Transmission with Applied Tensile Load	50 Newton
Insertion Loss: IEC 61300-3-4-MB	Average: 0,10dB, Max: 0,35dB
Return Loss: IEC 61300-3-6-MB	Singlemode: ≥ 60dB



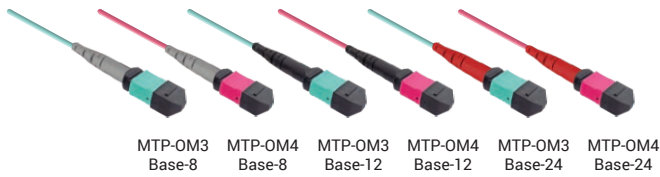
* X (Tube Length) is standard 500mm. Please contact us for different tube length.

Sample Coding

I - PC - 144 - M - 103 - A2 - B - 12MTPEf - 12MTPEf - 05M

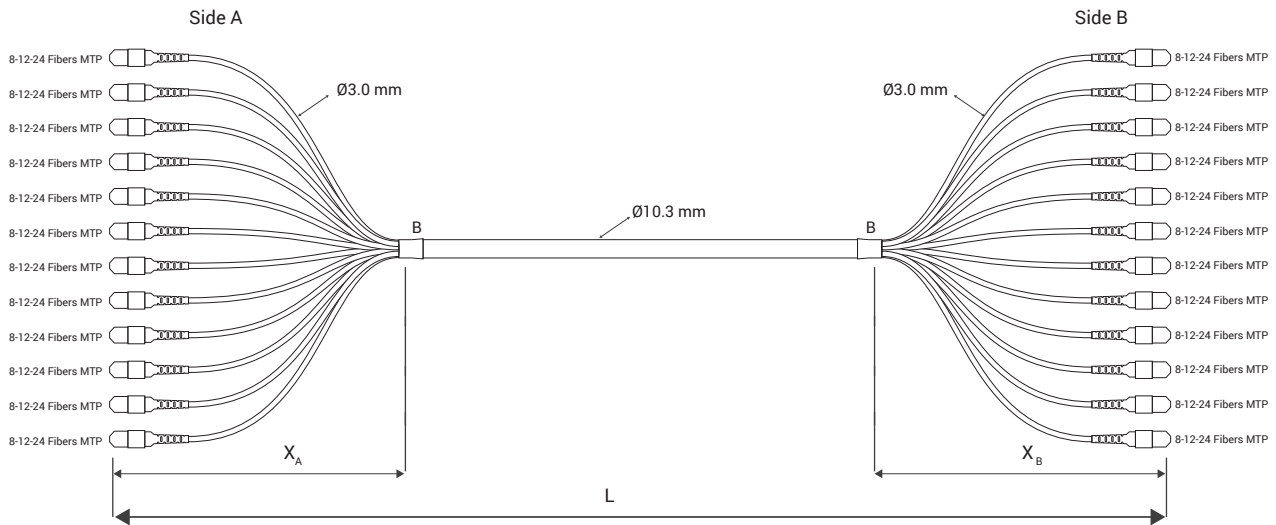
Type	Type	Fiber Count	Cable Type	Diameter	Fiber Type	Polarization	1. Connector	2. Connector	Length
Indoor:	I	Patch Cord: PC 8x12 Fibers: 96 12x12 Fibers: 144 24x12 Fibers: 288	MTP/Breakout: M	10.3/3.0mm: 103	SM G.657 A2: A2	A Polarization: A B Polarization: B	12xMTP-Female: 12MTPEf 12xMTP-Male: 12MTPEm	12xMTP-Female: 12MTPEf 12xMTP-Male: 12MTPEm	-- M

12xMTP-12xMTP Multi Mode Breakout



Properties

MTP Connector Compliance	IEC 61754-7, TIA 604-5, RoHS
Base-8	96 Fibers
Base-12	144 Fibers
Base-24	288 Fibers
Cable Diameter	10.3mm
Subunit Diameter	3.0mm
Operating Temperature	-10°C to +70°C
Flammability	UL94 V-0
Durability	> 100 mating cycles
Transmission with Applied Tensile Load	50 Newton
Insertion Loss: IEC 61300-3-4-MB	Average: 0,10dB, Max: 0,35dB
Return Loss: IEC 61300-3-6-MB	Multimode: ≥ 20dB



* X (Tube Length) is standard 500mm. Please contact us for different tube length.

Sample Coding

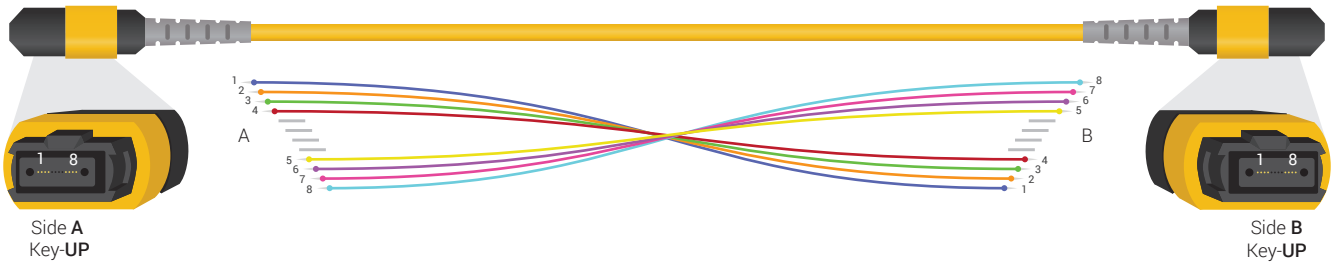
I - PC - 144 - M - 103 - A2 - B - 12MTPEf - 12MTPEf - 05M

Type	Type	Fiber Count	Cable Type	Diameter	Fiber Type	Polarization	1. Connector	2. Connector	Length
Indoor:	I Patch Cord: PC	8x12 Fibers: 96 12x12 Fibers: 144 24x12 Fibers: 288	MTP/Breakout: M	10.3/3.0mm: 103	SM G.657 A2: A2	A Polarization: A B Polarization: B	12xMTP-Female: 12MTPEf 12xMTP-Male: 12MTPEm	12xMTP-Female: 12MTPEf 12xMTP-Male: 12MTPEm	__ M

Polarity & Positioning

8 Fibers MTP/MTP Polarity and Positioning | According to TIA-568.3

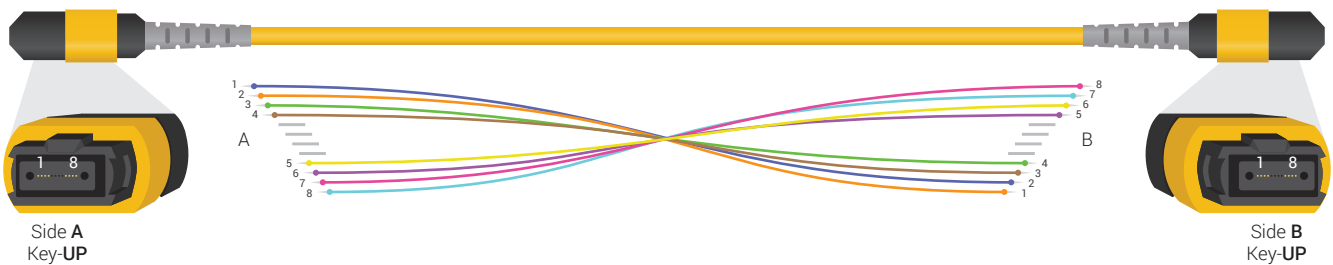
Type A "Cross"



Type B "Straight Through"



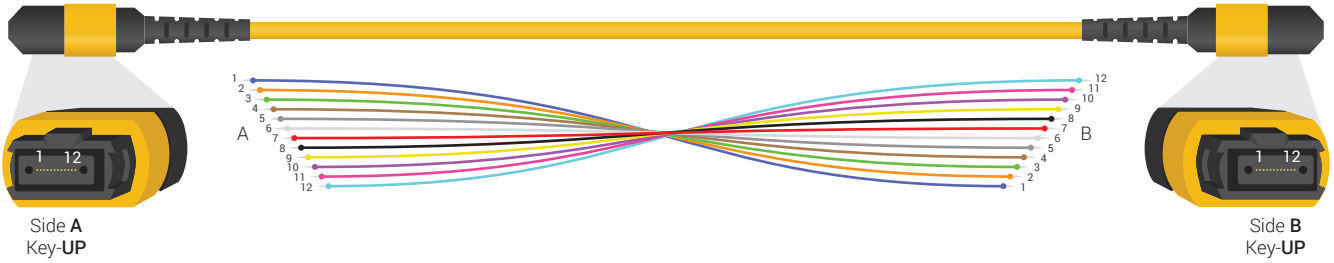
Type C "Cross Pair"



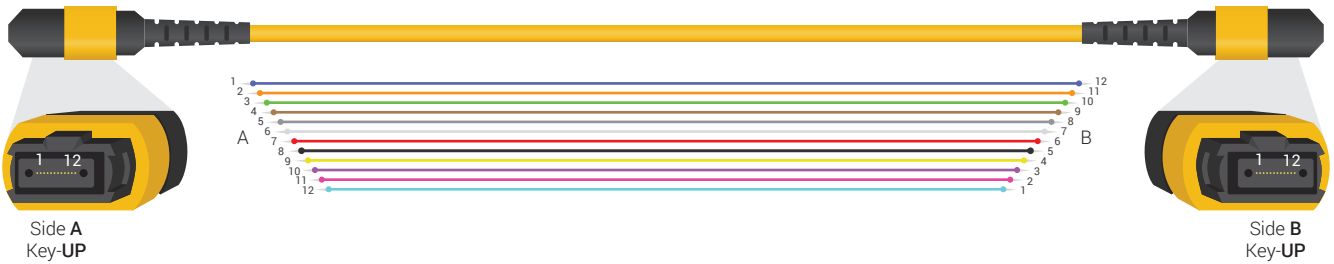
Polarity & Positioning

12 Fibers MTP/MTP Polarity and Positioning | According to TIA-568.3

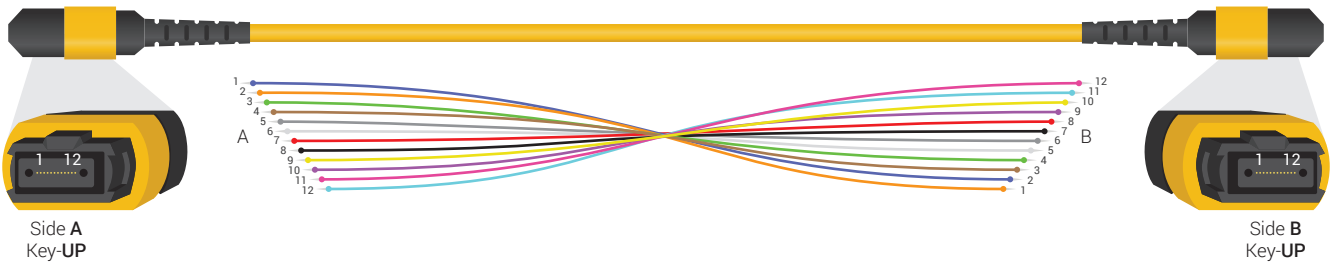
Type A "Cross"



Type B "Straight Through"



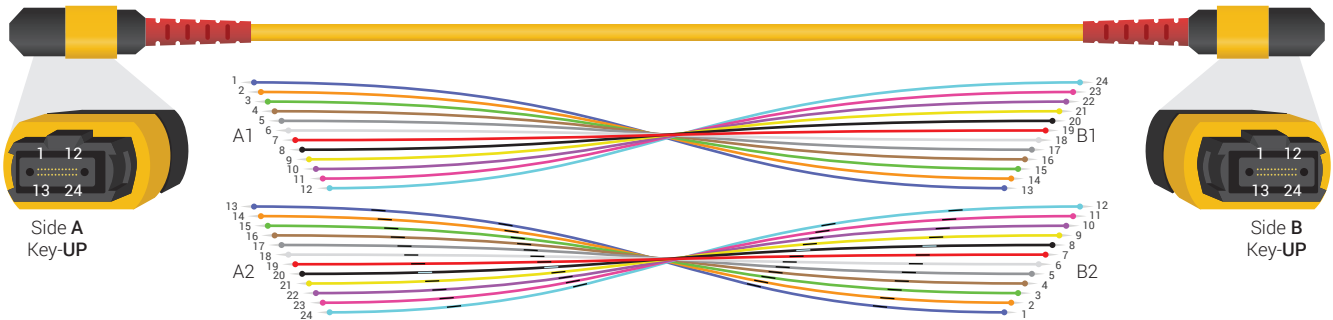
Type C "Cross Pair"



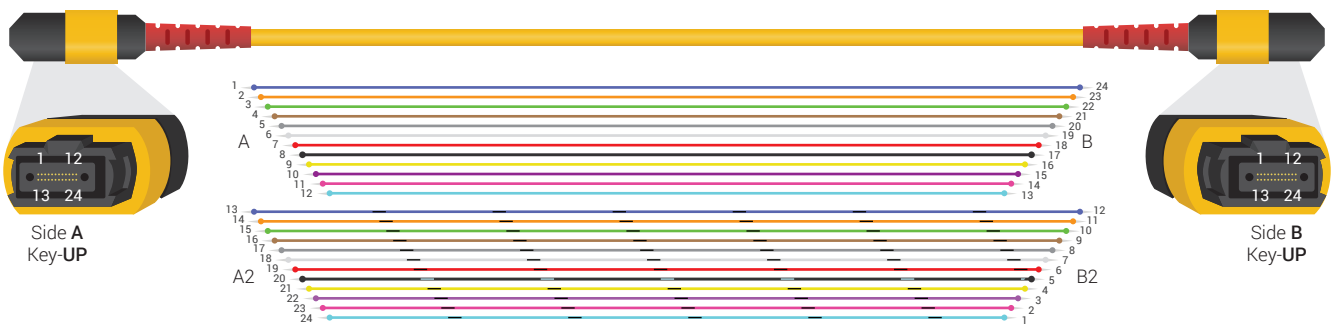
Polarity & Positioning

24 Fibers MTP/MTP Polarity and Positioning | According to TIA-568.3

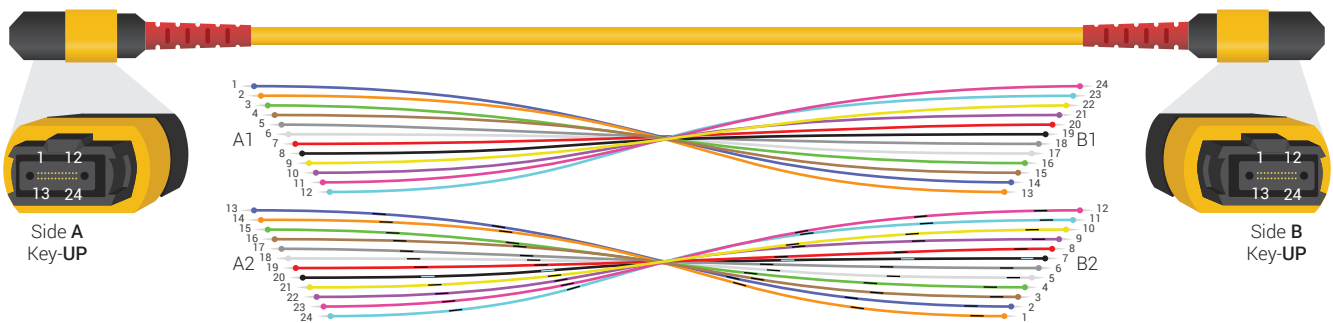
Type A "Cross"

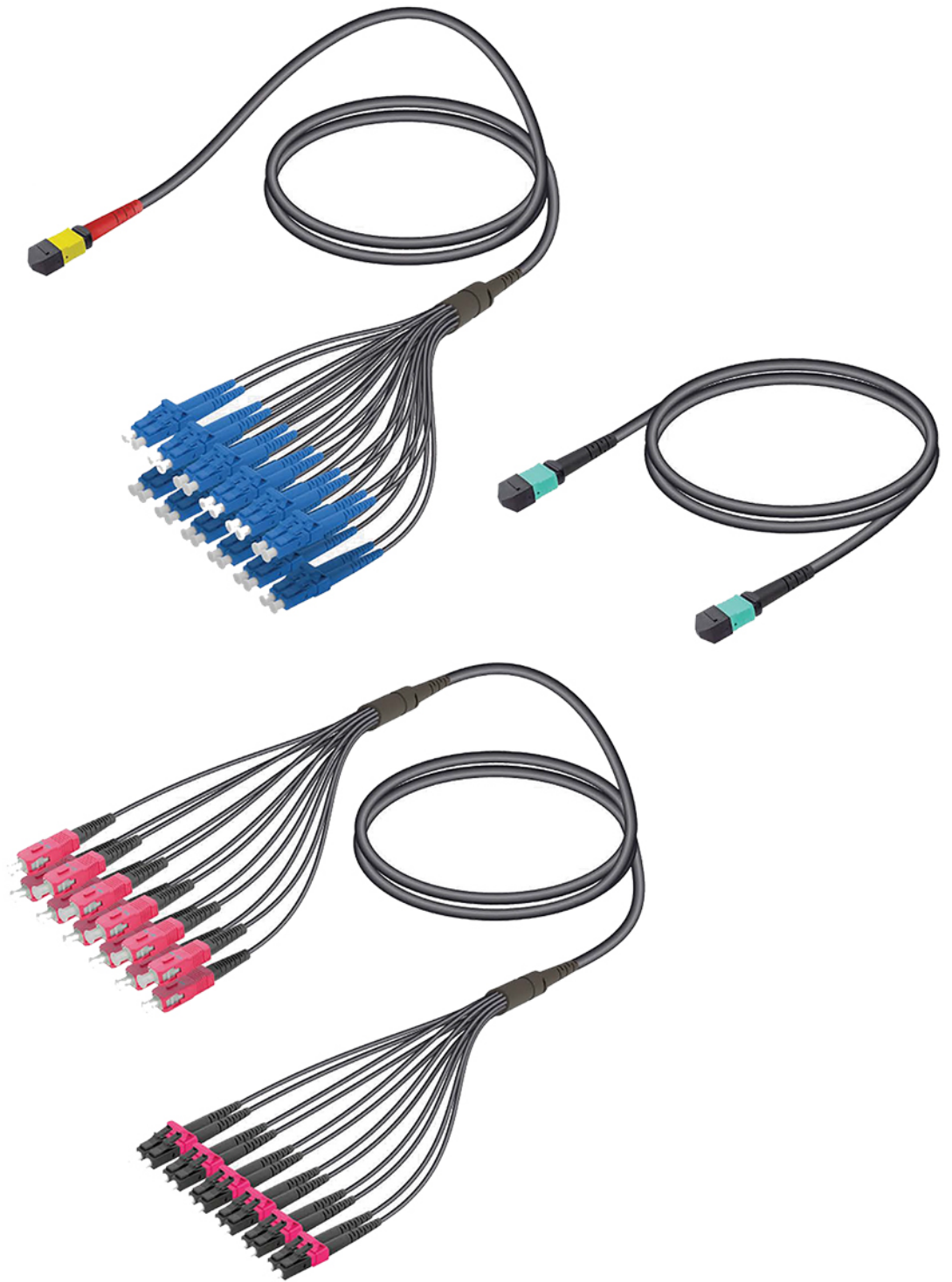


Type B "Straight Through"



Type C "Cross Pair"



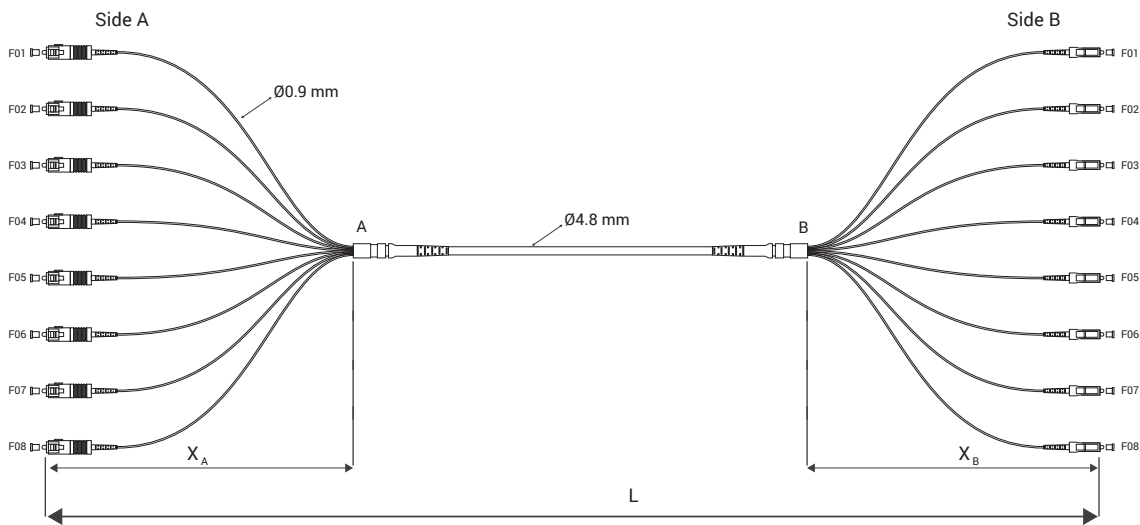
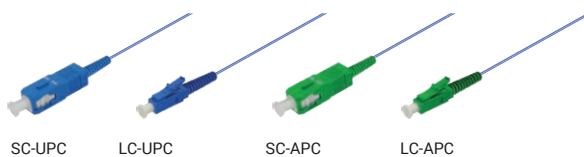
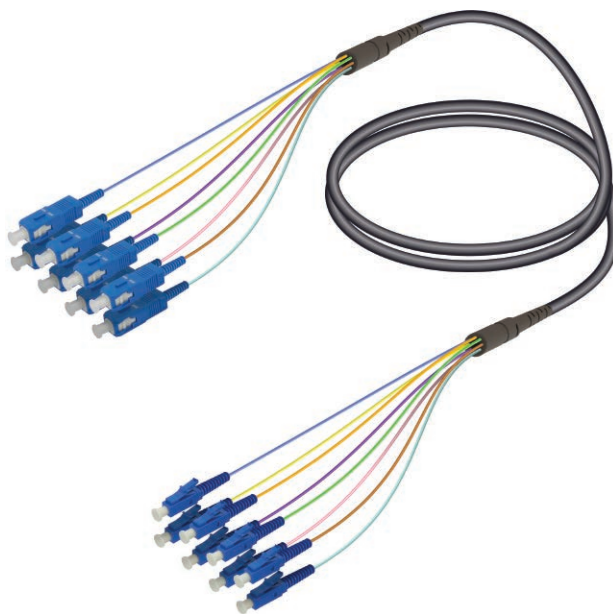


Universal Fiber Optic Assemblies

8 Fibers Single Mode Fanout | 0.9mm

Properties

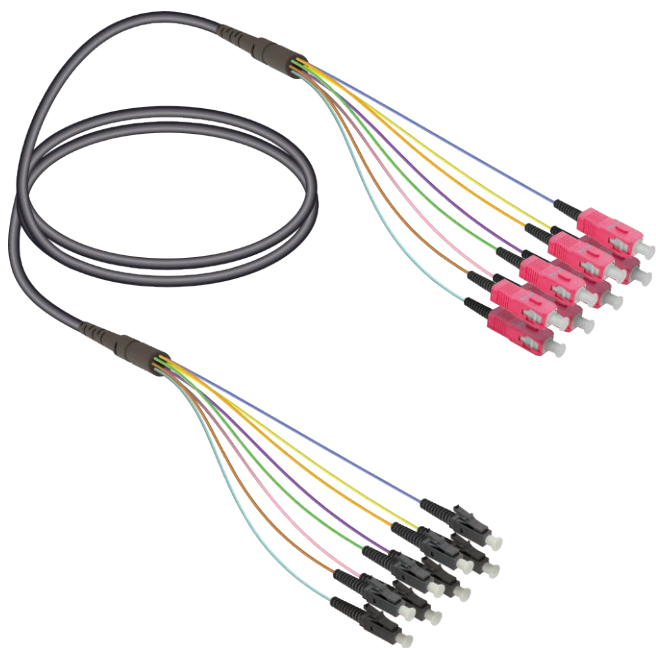
LC Connector Compliance	IEC 61754-20, TIA 604-10-A, RoHS
SC Connector Compliance	IEC 61754-4, TIA 604-3, RoHS
Fiber Count	8 Fibers
Cable Diameter	4.8mm
Subunit Diameter	0.9mm
Alignment Technology	Full ceramic ferrule (Zirconia ZrO2)
Operating Temperature	-40°C to +85°C
Flammability	UL94 V-0
Durability	> 1000 mating cycles
Transmission with Applied Tensile Load	GR-326 CORE 4.4.3.5
Insertion Loss: IEC 61300-3-4-MB	Singlemode: ≤ 0.30dB
Return Loss: IEC 61300-3-6-MB	Singlemode UPC : ≥ 50dB Singlemode APC : ≥ 60dB
Connector End Face Geometry	IEC 61755-3



* X (Tube Length) is standard 1000mm. Please contact us for different tube length.

Sample Coding **U - PC - 8 - F - 409 - A2 - 08SCS - 08LCS - 05M**

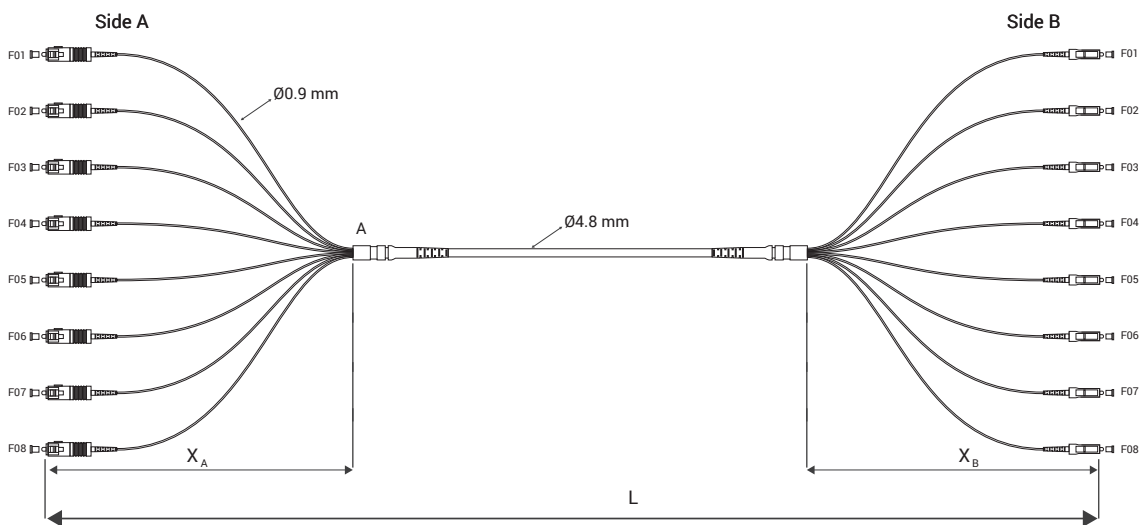
Type	Type	Fiber Count	Cable Type	Diameter	Fiber Type	1. Connector	2. Connector	Length
Universal: U	Patch Cord: PC	8 Fibers: 8	Fanout: F	4.8/0.9mm: 409	SM G.657 A2: A2	SC-UPC: 08SCS SC-APC: 08SAS LC-UPC: 08LCS LC-APC: 08LAS	SC-UPC: 08SCS SC-APC: 08SAS LC-UPC: 08LCS LC-APC: 08LAS	__ M



8 Fibers Multi Mode Fanout | 0.9mm

Properties

LC Connector Compliance	IEC 61754-20, TIA 604-10-A, RoHS
SC Connector Compliance	IEC 61754-4, TIA 604-3, RoHS
Fiber Count	8 Fibers
Cable Diameter	4.8mm
Subunit Diameter	0.9mm
Alignment Technology	Full ceramic ferrule (Zirconia ZrO2)
Operating Temperature	-40°C to +85°C
Flammability	UL94 V-0
Durability	> 1000 mating cycles
Transmission with Applied Tensile Load	GR-326 CORE 4.4.3.5
Insertion Loss: IEC 61300-3-4-MB	Multimode: ≤ 0.40dB
Return Loss: IEC 61300-3-6-MB	Multimode: ≥ 40dB
Connector End Face Geometry	IEC 61755-3



* X (Tube Length) is standard 1000mm. Please contact us for different tube length.

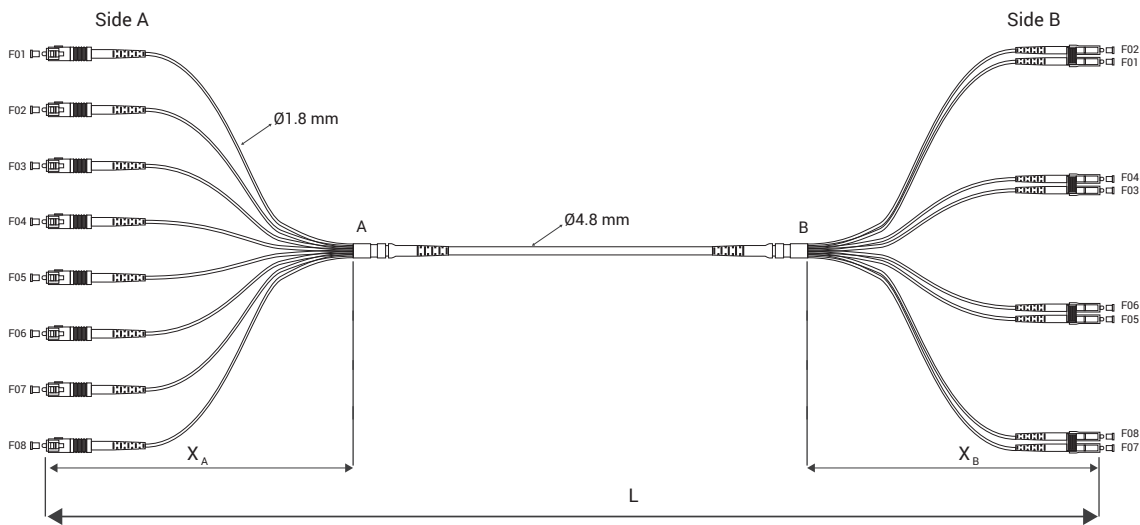
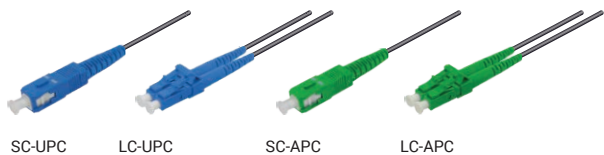
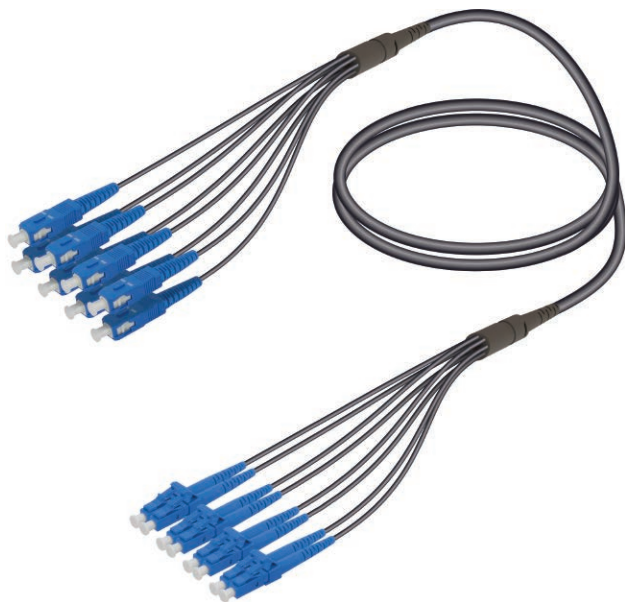
Sample Coding **U - PC - 8 - F - 409 - M4 - 08SCS - 08LCS - 05M**

Type	Type	Fiber Count	Cable Type	Diameter	Fiber Type	1. Connector	2. Connector	Length
Universal: U	Patch Cord: PC	8 Fibers: 8	Fanout: F	4.8/0.9mm: 409	MM G.651 OM3: M3 MM G.651 OM4: M4	SC-UPC: 08SCS LC-UPC: 08LCS	SC-UPC: 08SCS LC-UPC: 08LCS	_ _ M

8 Fibers Single Mode Fanout | 1.8mm

Properties

LC Connector Compliance	IEC 61754-20, TIA 604-10-A, RoHS
SC Connector Compliance	IEC 61754-4, TIA 604-3, RoHS
Fiber Count	8 Fibers
Cable Diameter	4.8mm
Subunit Diameter	1.8mm
Alignment Technology	Full ceramic ferrule (Zirconia ZrO2)
Operating Temperature	-40°C to +85°C
Flammability	UL94 V-0
Durability	> 1000 mating cycles
Transmission with Applied Tensile Load	GR-326 CORE 4.4.3.5
Insertion Loss: IEC 61300-3-4-MB	Singlemode: ≤ 0.30dB
Return Loss: IEC 61300-3-6-MB	Singlemode UPC : ≥ 50dB Singlemode APC : ≥ 60dB
Connector End Face Geometry	IEC 61755-3

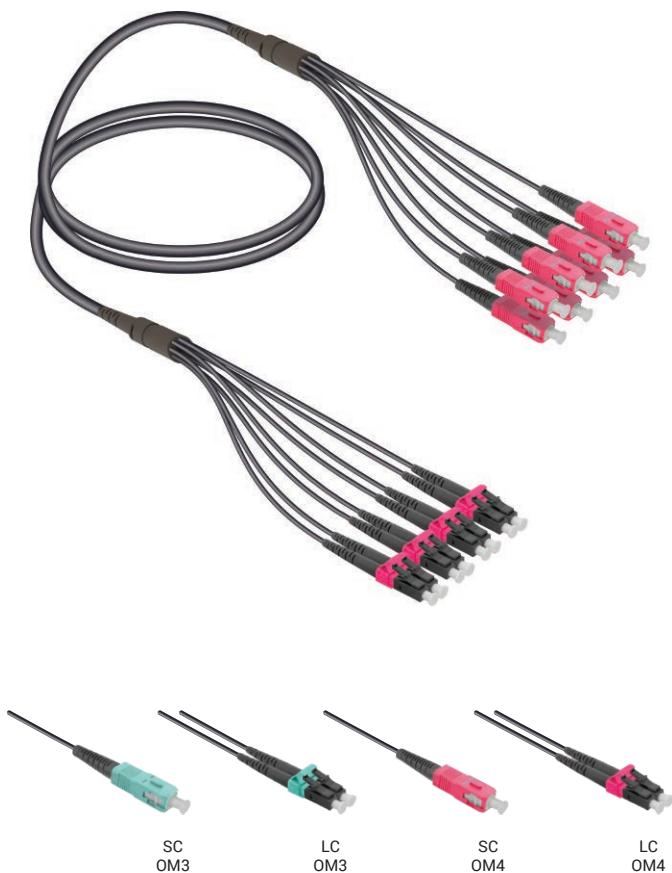


* X (Tube Length) is standard 500mm. Please contact us for different tube length.

Sample Coding **U - PC - 8 - F - 418 - A2 - 08SCS - 04LCD - 05M**

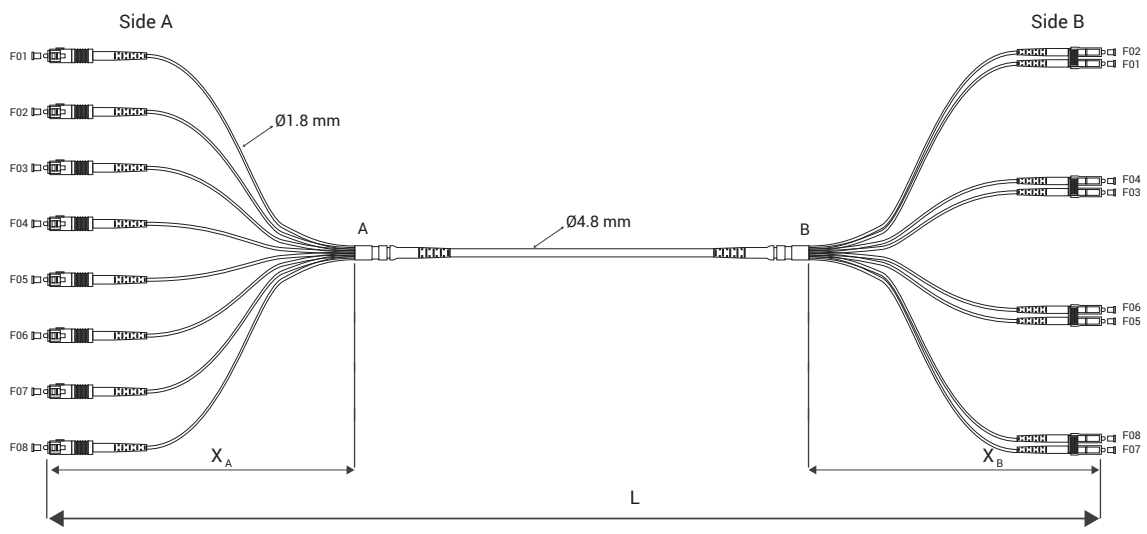
Type	Type	Fiber Count	Cable Type	Diameter	Fiber Type	1. Connector	2. Connector	Length
Universal: U	Patch Cord: PC	8 Fibers: 8	Fanout: F	4.8/1.8mm: 418	SM G.657 A2: A2	SC-UPC: 08SCS SC-APC: 08SAS LC-UPC: 04LCD LC-APC: 04LAD	SC-UPC: 08SCS SC-APC: 08SAS LC-UPC: 04LCD LC-APC: 04LAD	__ M

8 Fibers Multi Mode Fanout | 1.8mm



Properties

LC Connector Compliance	IEC 61754-20, TIA 604-10-A, RoHS
SC Connector Compliance	IEC 61754-4, TIA 604-3, RoHS
Fiber Count	8 Fibers
Cable Diameter	4.8mm
Subunit Diameter	1.8mm
Alignment Technology	Full ceramic ferrule (Zirconia ZrO2)
Operating Temperature	-40°C to +85°C
Flammability	UL94 V-0
Durability	> 1000 mating cycles
Transmission with Applied Tensile Load	GR-326 CORE 4.4.3.5
Insertion Loss: IEC 61300-3-4-MB	Multimode: ≤ 0.40dB
Return Loss: IEC 61300-3-6-MB	Multimode: ≥ 40dB
Connector End Face Geometry	IEC 61755-3



* X (Tube Length) is standard 500mm. Please contact us for different tube length.

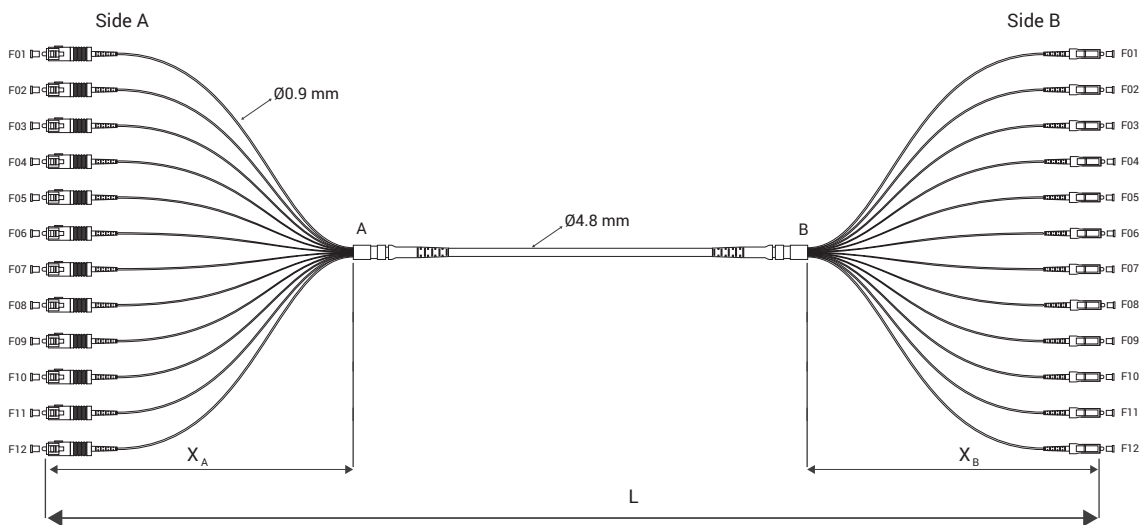
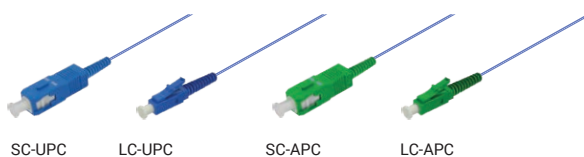
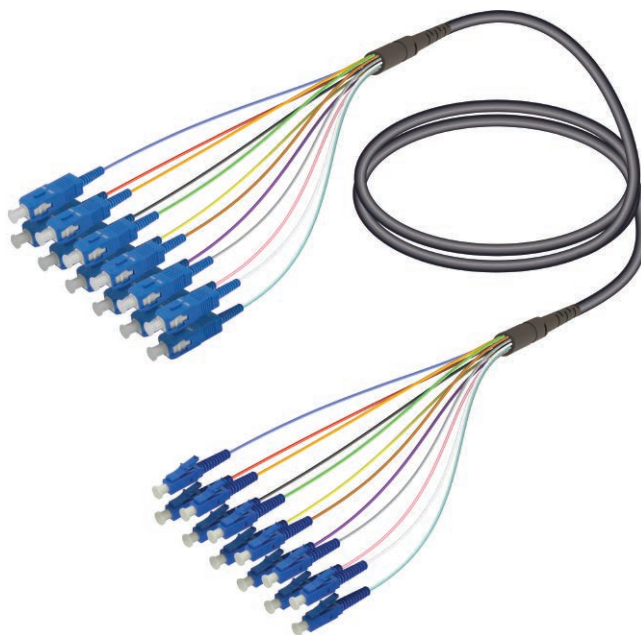
Sample Coding **U - PC - 8 - F - 418 - M4 - 08SCS - 04LCD - 05M**

Type	Type	Fiber Count	Cable Type	Diameter	Fiber Type	1. Connector	2. Connector	Length
Universal: U	Patch Cord: PC	8 Fibers: 8	Fanout: F	4.8/1.8mm: 418	MM G.651 OM3: M3 MM G.651 OM4: M4	SC-UPC: 08SCS LC-UPC: 04LCD	SC-UPC: 08SCS LC-UPC: 04LCD	__ M

12 Fibers Single Mode Fanout | 0.9mm

Properties

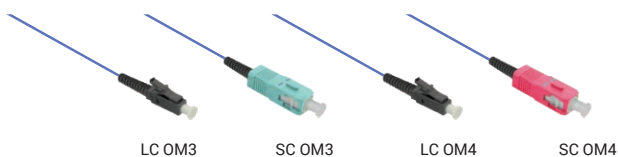
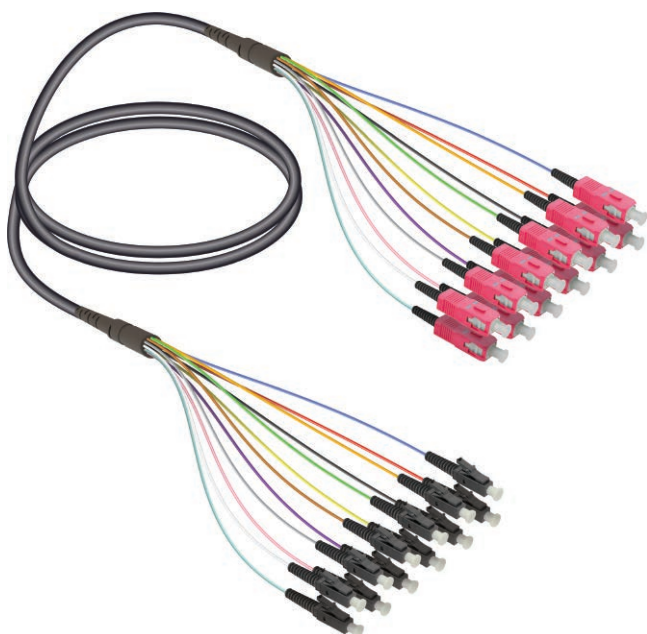
LC Connector Compliance	IEC 61754-20, TIA 604-10-A, RoHS
SC Connector Compliance	IEC 61754-4, TIA 604-3, RoHS
Fiber Count	12 Fibers
Cable Diameter	4.8mm
Subunit Diameter	0.9mm
Alignment Technology	Full ceramic ferrule (Zirconia ZrO2)
Operating Temperature	-40°C to +85°C
Flammability	UL94 V-0
Durability	> 1000 mating cycles
Transmission with Applied Tensile Load	GR-326 CORE 4.4.3.5
Insertion Loss: IEC 61300-3-4-MB	Singlemode: ≤ 0.30dB
Return Loss: IEC 61300-3-6-MB	Singlemode UPC : ≥ 50dB Singlemode APC : ≥ 60dB
Connector End Face Geometry	IEC 61755-3



* X (Tube Length) is standard 1000mm. Please contact us for different tube length.

Sample Coding **U - PC - 12 - F - 409 - A2 - 12SCS - 12LCS - 05M**

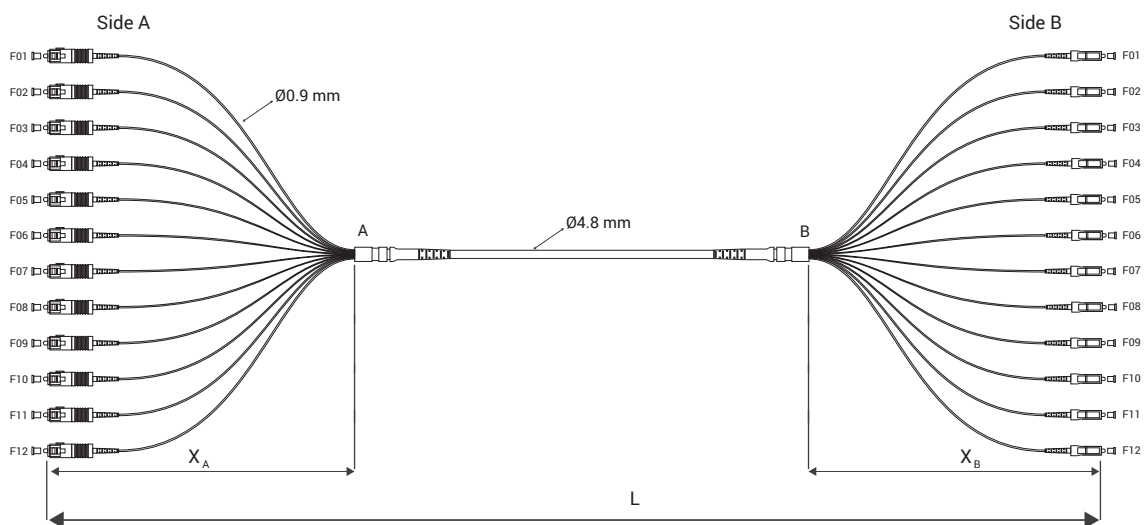
Type	Type	Fiber Count	Cable Type	Diameter	Fiber Type	1. Connector	2. Connector	Length
Universal: U	Patch Cord: PC	12 Fibers: 12	Fanout: F	4.8/0.9mm: 409	SM G.657 A2: A2	SC-UPC: 12SCS SC-APC: 12SAS LC-UPC: 12LCS LC-APC: 12LAS	SC-UPC: 12SCS SC-APC: 12SAS LC-UPC: 12LCS LC-APC: 12LAS	_ _ M



12 Fibers Multi Mode Fanout | 0.9mm

Properties

LC Connector Compliance	IEC 61754-20, TIA 604-10-A, RoHS
SC Connector Compliance	IEC 61754-4, TIA 604-3, RoHS
Fiber Count	12 Fibers
Cable Diameter	4.8mm
Subunit Diameter	0.9mm
Alignment Technology	Full ceramic ferrule (Zirconia ZrO2)
Operating Temperature	-40°C to +85°C
Flammability	UL94 V-0
Durability	> 1000 mating cycles
Transmission with Applied Tensile Load	GR-326 CORE 4.4.3.5
Insertion Loss: IEC 61300-3-4-MB	Multimode: ≤ 0.40dB
Return Loss: IEC 61300-3-6-MB	Multimode: ≥ 40dB
Connector End Face Geometry	IEC 61755-3



* X (Tube Length) is standard 1000mm. Please contact us for different tube length.

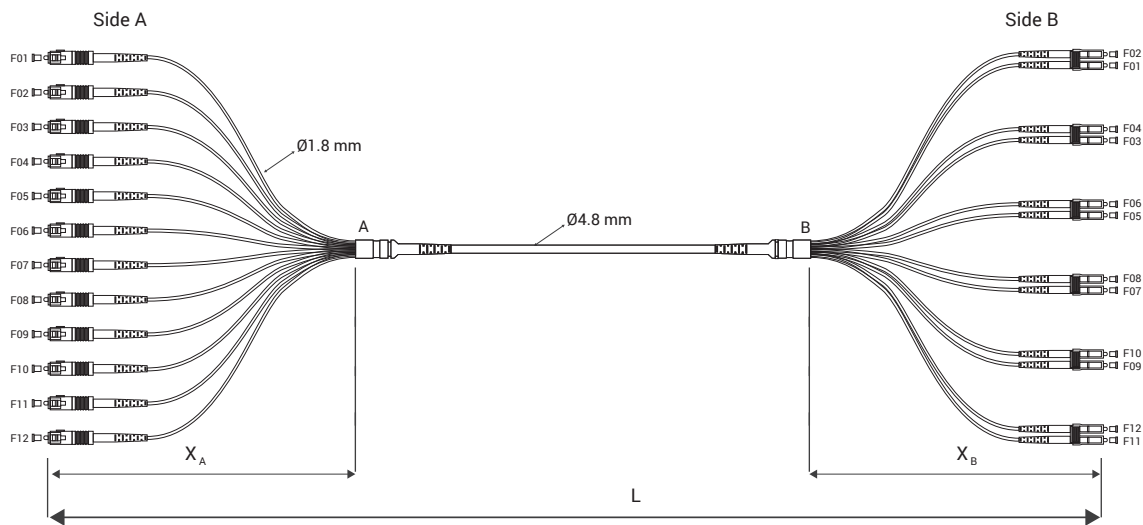
Sample Coding **U - PC - 12 - F - 409 - M4 - 12SCS - 12LCS - 05M**

Type	Type	Fiber Count	Cable Type	Diameter	Fiber Type	1. Connector	2. Connector	Length
Universal: U	Patch Cord: PC	12 Fibers: 12	Fanout: F	4.8/0.9mm: 409	MM G.651 OM3: M3 MM G.651 OM4: M4	SC-UPC: 12SCS LC-UPC: 12LCS	SC-UPC: 12SCS LC-UPC: 12LCS	_ _M

12 Fibers Single Mode Fanout | 1.8mm

Properties

LC Connector Compliance	IEC 61754-20, TIA 604-10-A, RoHS
SC Connector Compliance	IEC 61754-4, TIA 604-3, RoHS
Fiber Count	12 Fibers
Cable Diameter	4.8mm
Subunit Diameter	1.8mm
Alignment Technology	Full ceramic ferrule (Zirconia ZrO2)
Operating Temperature	-40°C to +85°C
Flammability	UL94 V-0
Durability	> 1000 mating cycles
Transmission with Applied Tensile Load	GR-326 CORE 4.4.3.5
Insertion Loss: IEC 61300-3-4-MB	Singlemode: ≤ 0.30dB
Return Loss: IEC 61300-3-6-MB	Singlemode UPC : ≥ 50dB Singlemode APC : ≥ 60dB
Connector End Face Geometry	IEC 61755-3



* X (Tube Length) is standard 500mm. Please contact us for different tube length.

Sample Coding **U - PC - 12 - F - 418 - A2 - 12SCS - 06LCD - 05M**

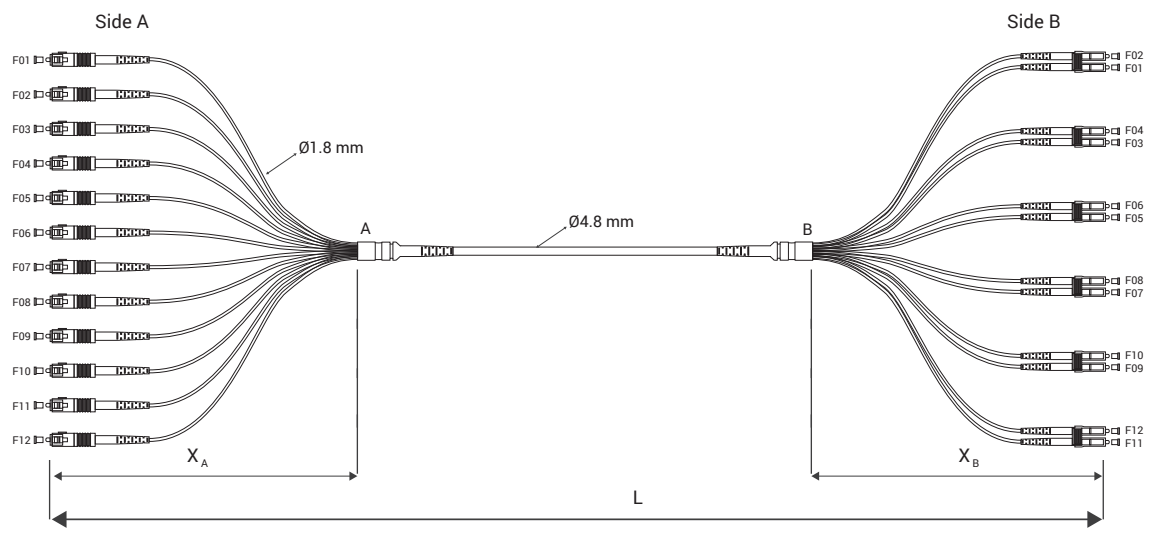
Type	Type	Fiber Count	Cable Type	Diameter	Fiber Type	1. Connector	2. Connector	Length
Universal: U	Patch Cord: PC	12 Fibers: 12	Fanout: F	4.8/1.8mm: 418	SM G.657 A2: A2	SC-UPC: 12SCS SC-APC: 12SAS LC-UPC: 06LCD LC-APC: 06LAD	SC-UPC: 12SCS SC-APC: 12SAS LC-UPC: 06LCD LC-APC: 06LAD	__ M



12 Fibers Multi Mode Fanout | 1.8mm

Properties

LC Connector Compliance	IEC 61754-20, TIA 604-10-A, RoHS
SC Connector Compliance	IEC 61754-4, TIA 604-3, RoHS
Fiber Count	12 Fibers
Cable Diameter	4.8mm
Subunit Diameter	1.8mm
Alignment Technology	Full ceramic ferrule (Zirconia ZrO2)
Operating Temperature	-40°C to +85°C
Flammability	UL94 V-0
Durability	> 1000 mating cycles
Transmission with Applied Tensile Load	GR-326 CORE 4.4.3.5
Insertion Loss: IEC 61300-3-4-MB	Multimode: ≤ 0.40dB
Return Loss: IEC 61300-3-6-MB	Multimode: ≥ 40dB
Connector End Face Geometry	IEC 61755-3



* X (Tube Length) is standard 500mm. Please contact us for different tube length.

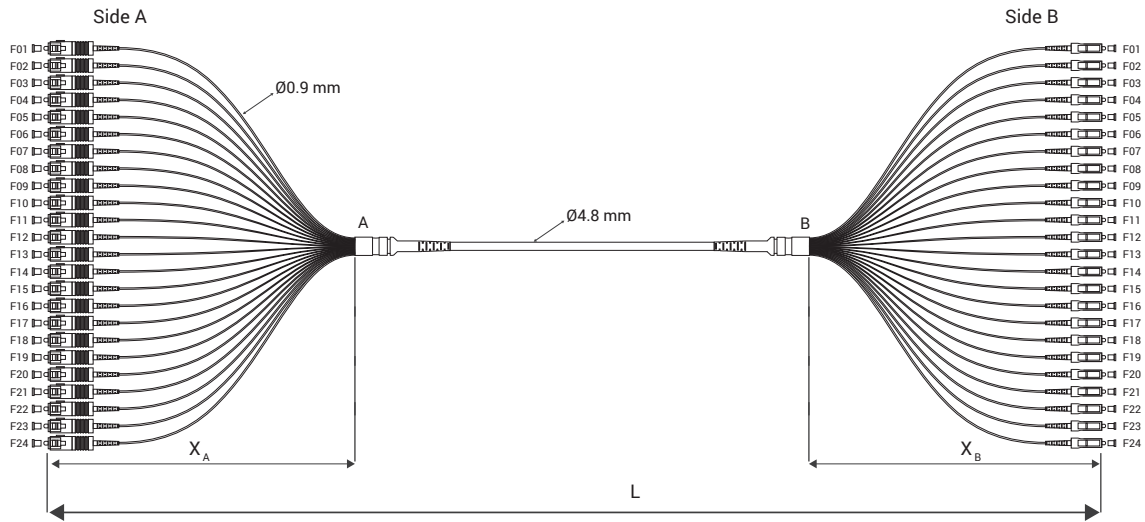
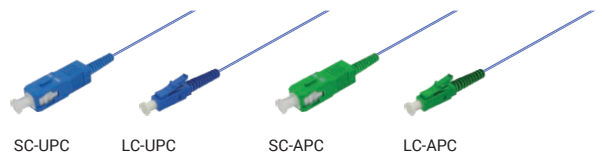
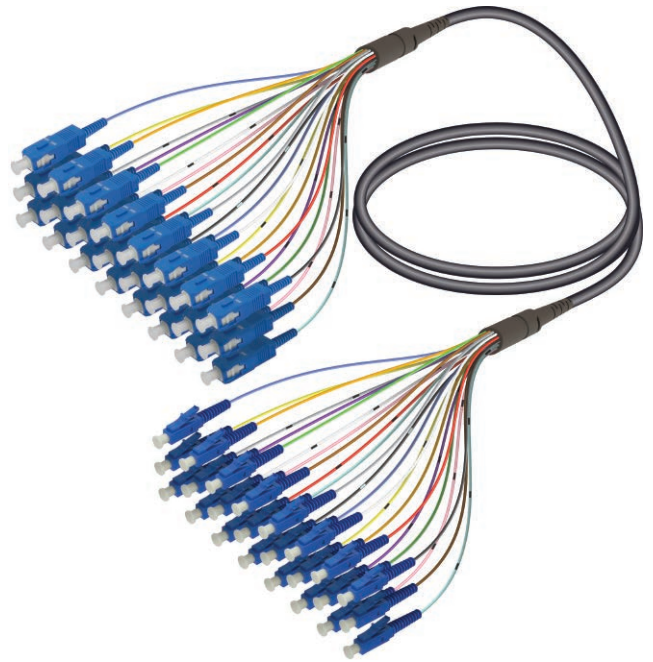
Sample Coding **U - PC - 12 - F - 418 - M4 - 12SCS - 06LCD - 05M**

Type	Type	Fiber Count	Cable Type	Diameter	Fiber Type	1. Connector	2. Connector	Length
Universal: U	Patch Cord: PC	12 Fibers: 12	Fanout: F	4.8/1.8mm: 418	MM G.651 OM3: M3 MM G.651 OM4: M4	SC-UPC: 12SCS LC-UPC: 06LCD	SC-UPC: 12SCS LC-UPC: 06LCD	__ M

24 Fibers Single Mode Fanout | 0.9mm

Properties

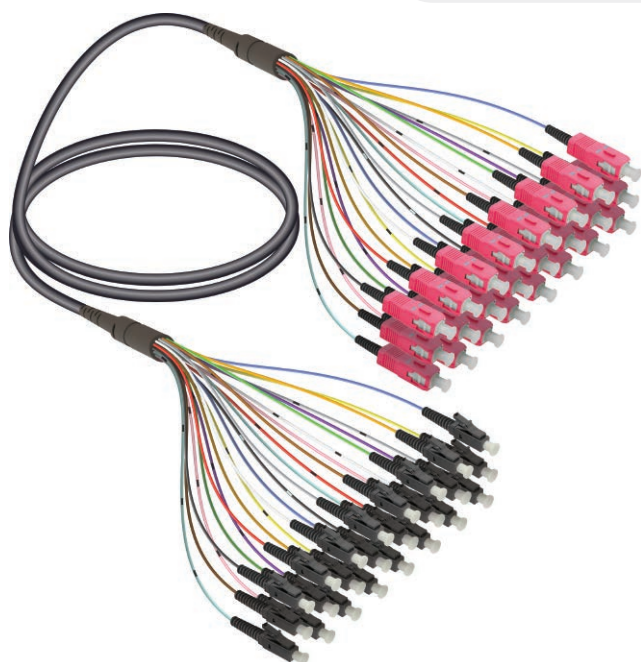
LC Connector Compliance	IEC 61754-20, TIA 604-10-A, RoHS
SC Connector Compliance	IEC 61754-4, TIA 604-3, RoHS
Fiber Count	24 Fibers
Cable Diameter	4.8mm
Subunit Diameter	0.9mm
Alignment Technology	Full ceramic ferrule (Zirconia ZrO2)
Operating Temperature	-40°C to +85°C
Flammability	UL94 V-0
Durability	> 1000 mating cycles
Transmission with Applied Tensile Load	GR-326 CORE 4.4.3.5
Insertion Loss: IEC 61300-3-4-MB	Singlemode: ≤ 0.30dB
Return Loss: IEC 61300-3-6-MB	Singlemode UPC : ≥ 50dB Singlemode APC : ≥ 60dB
Connector End Face Geometry	IEC 61755-3



* X (Tube Length) is standard 1000mm. Please contact us for different tube length.

Sample Coding **U - PC - 24 - F - 409 - A2 - 24SCS - 24LCS - 05M**

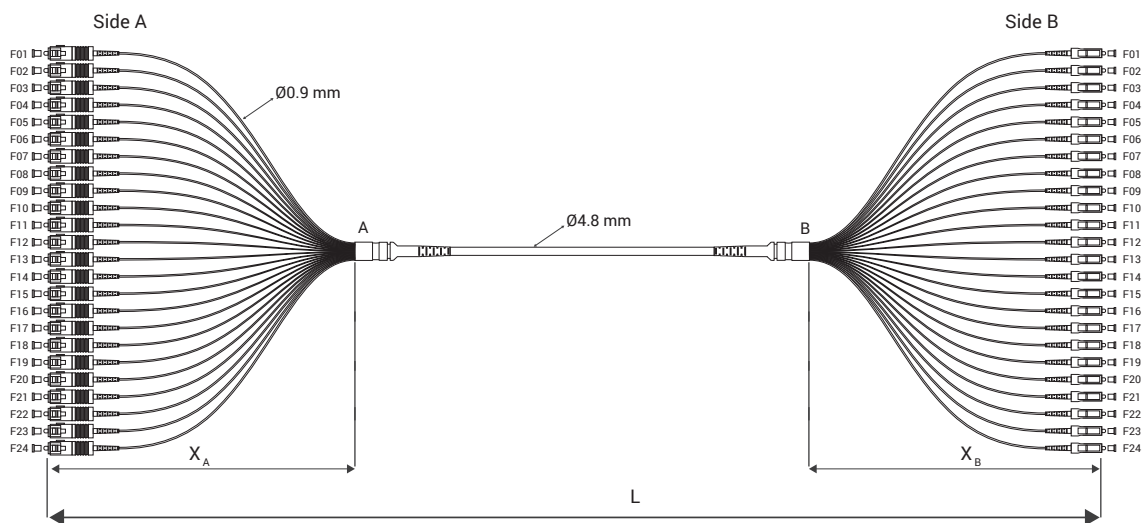
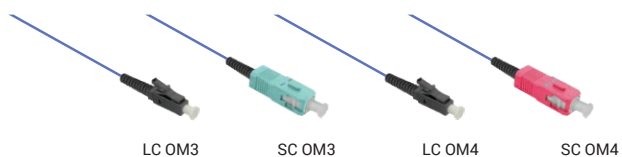
Type	Type	Fiber Count	Cable Type	Diameter	Fiber Type	1. Connector	2. Connector	Length
Universal: U	Patch Cord: PC	24 Fibers: 24	Fanout: F	4.8/0.9mm: 409	SM G.657 A2: A2	SC-UPC: 24SCS SC-APC: 24SAS LC-UPC: 24LCS LC-APC: 24LAS	SC-UPC: 24SCS SC-APC: 24SAS LC-UPC: 24LCS LC-APC: 24LAS	_ _ M



24 Fibers Multi Mode Fanout | 0.9mm

Properties

LC Connector Compliance	IEC 61754-20, TIA 604-10-A, RoHS
SC Connector Compliance	IEC 61754-4, TIA 604-3, RoHS
Fiber Count	24 Fibers
Cable Diameter	4.8mm
Subunit Diameter	0.9mm
Alignment Technology	Full ceramic ferrule (Zirconia ZrO2)
Operating Temperature	-40°C to +85°C
Flammability	UL94 V-0
Durability	> 1000 mating cycles
Transmission with Applied Tensile Load	GR-326 CORE 4.4.3.5
Insertion Loss: IEC 61300-3-4-MB	Multimode: ≤ 0.40dB
Return Loss: IEC 61300-3-6-MB	Multimode: ≥ 40dB
Connector End Face Geometry	IEC 61755-3



* X (Tube Length) is standard 1000mm. Please contact us for different tube length.

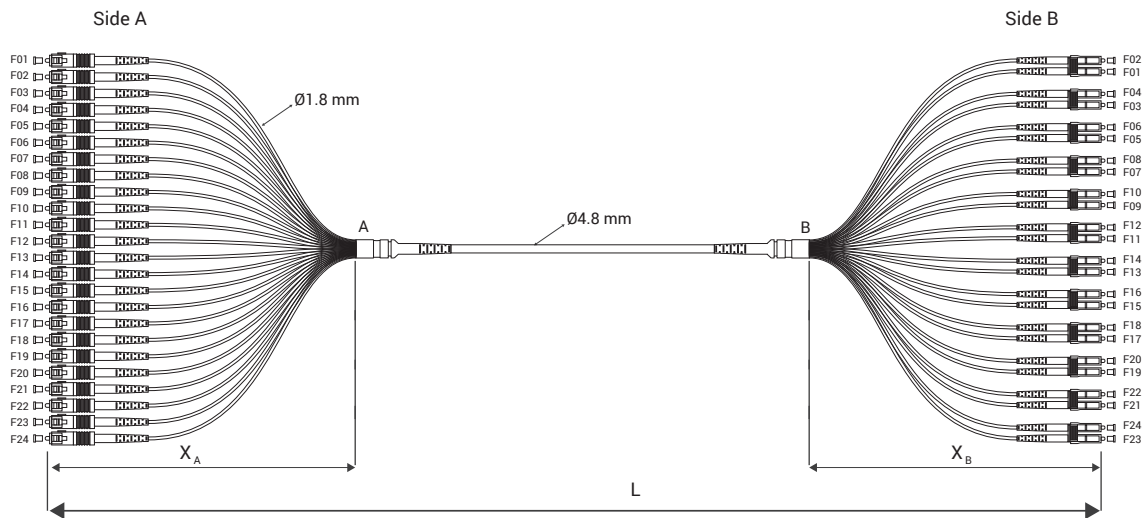
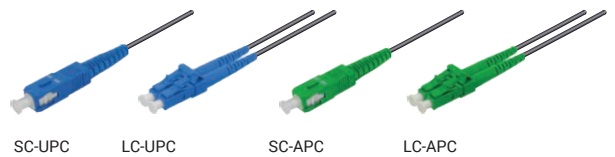
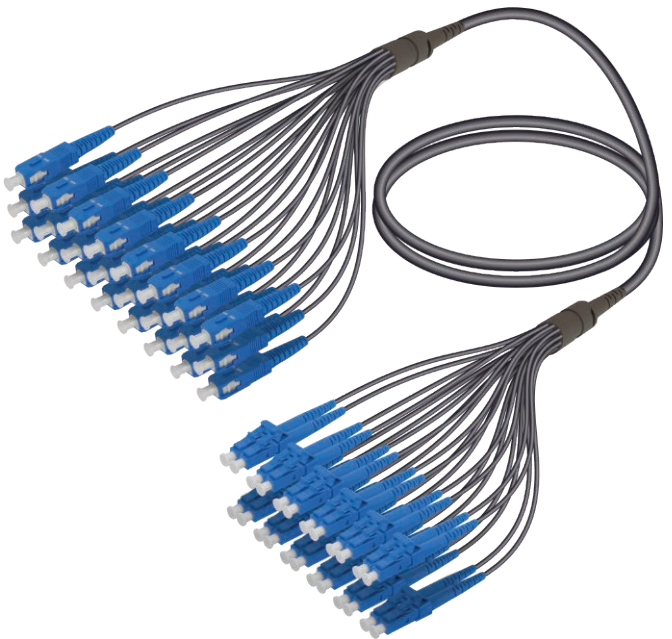
Sample Coding **U - PC - 24 - F - 409 - M4 - 24SCS - 24LCS - 05M**

Type	Type	Fiber Count	Cable Type	Diameter	Fiber Type	1. Connector	2. Connector	Length
Universal: U	Patch Cord: PC	24 Fibers: 24	Fanout: F	4.8/0.9mm: 409	MM G.651 OM3: M3 MM G.651 OM4: M4	SC-UPC: 24SCS LC-UPC: 24LCS	SC-UPC: 24SCS LC-UPC: 24LCS	__ M

24 Fibers Single Mode Fanout | 1.8mm

Properties

LC Connector Compliance	IEC 61754-20, TIA 604-10-A, RoHS
SC Connector Compliance	IEC 61754-4, TIA 604-3, RoHS
Fiber Count	24 Fibers
Cable Diameter	4.8mm
Subunit Diameter	1.8mm
Alignment Technology	Full ceramic ferrule (Zirconia ZrO2)
Operating Temperature	-40°C to +85°C
Flammability	UL94 V-0
Durability	> 1000 mating cycles
Transmission with Applied Tensile Load	GR-326 CORE 4.4.3.5
Insertion Loss: IEC 61300-3-4-MB	Singlemode: ≤ 0.30dB
Return Loss: IEC 61300-3-6-MB	Singlemode UPC : ≥ 50dB Singlemode APC : ≥ 60dB
Connector End Face Geometry	IEC 61755-3



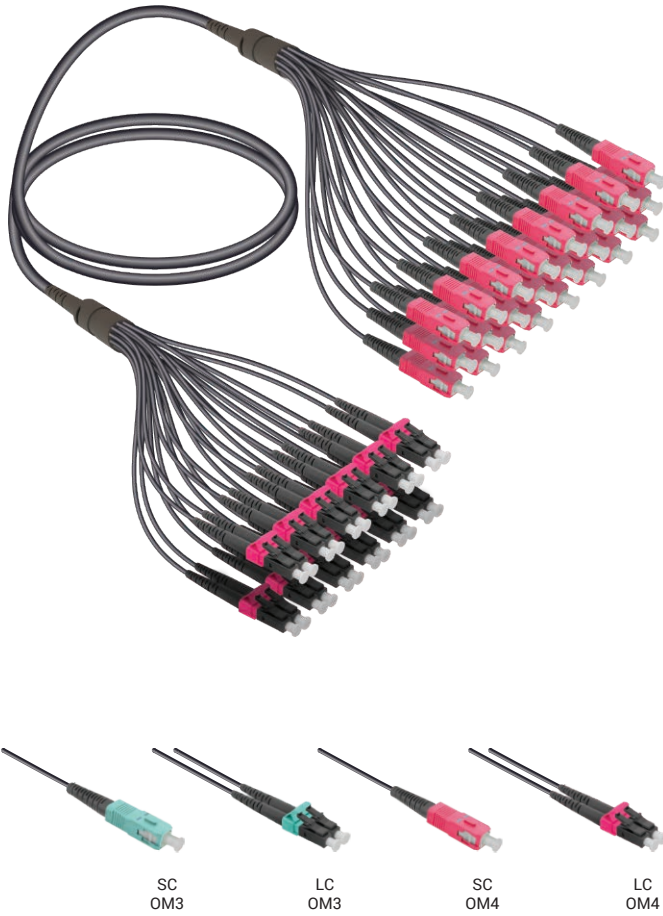
* X (Tube Length) is standard 500mm. Please contact us for different tube length.

Sample Coding **U - PC - 24 - F - 418 - A2 - 24SCS - 12LCD - 05M**

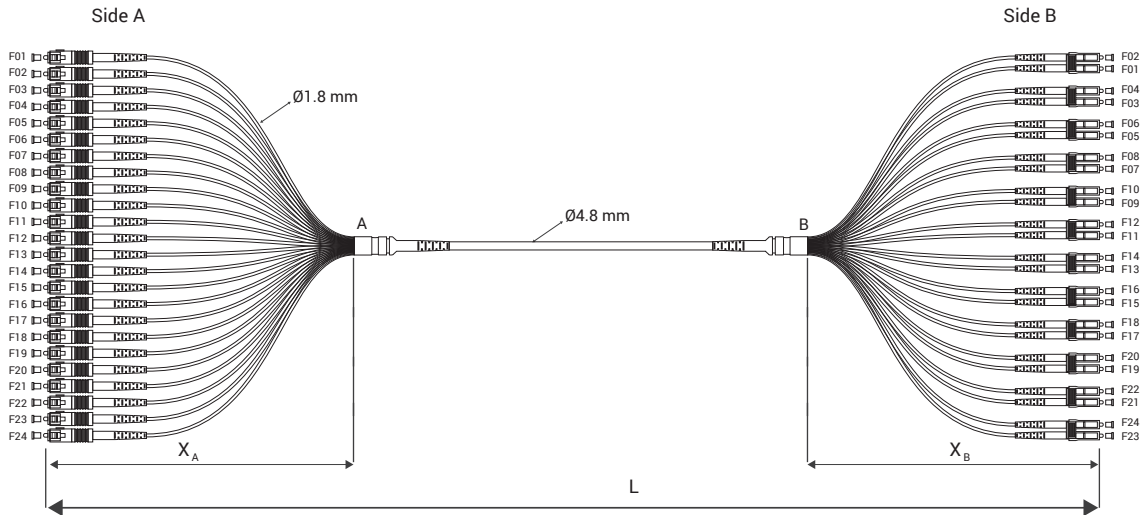
Type	Type	Fiber Count	Cable Type	Diameter	Fiber Type	1. Connector	2. Connector	Length
Universal: U	Patch Cord: PC	24 Fibers: 24	Fanout: F	4.8/1.8mm: 418	SM G.657 A2: A2	SC-UPC: 24SCS SC-APC: 24SAS LC-UPC: 12LCD LC-APC: 12LAD	SC-UPC: 24SCS SC-APC: 24SAS LC-UPC: 12LCD LC-APC: 12LAD	__ M

24 Fibers Multi Mode Fanout | 1.8mm

Properties



LC Connector Compliance	IEC 61754-20, TIA 604-10-A, RoHS
SC Connector Compliance	IEC 61754-4, TIA 604-3, RoHS
Fiber Count	24 Fibers
Cable Diameter	4.8mm
Subunit Diameter	1.8mm
Alignment Technology	Full ceramic ferrule (Zirconia ZrO2)
Operating Temperature	-40°C to +85°C
Flammability	UL94 V-0
Durability	> 1000 mating cycles
Transmission with Applied Tensile Load	GR-326 CORE 4.4.3.5
Insertion Loss: IEC 61300-3-4-MB	Multimode: ≤ 0.40dB
Return Loss: IEC 61300-3-6-MB	Multimode: ≥ 40dB
Connector End Face Geometry	IEC 61755-3



* X (Tube Length) is standard 500mm. Please contact us for different tube length.

Sample Coding **U - PC - 24 - F - 418 - M4 - 24SCS - 12LCD - 05M**

Type	Type	Fiber Count	Cable Type	Diameter	Fiber Type	1. Connector	2. Connector	Length
Universal: U	Patch Cord: PC	24 Fibers: 24	Fanout: F	4.8/1.8mm: 418	MM G.651 OM3: M3 MM G.651 OM4: M4	SC-UPC: 24SCS LC-UPC: 12LCD	SC-UPC: 24SCS LC-UPC: 12LCD	__ M

MTP Single Mode Patch Cord | 4.8mm

Properties

MTP Connector Compliance	IEC 61754-7, TIA 604-5, RoHS
Base-8	8 Fibers
Base-12	12 Fibers
Base-24	24 Fibers
Cable Diameter	3.0mm
Operating Temperature	-10°C to +70°C
Flammability	UL94 V-0
Durability	> 100 mating cycles
Transmission with Applied Tensile Load	50 Newton
Insertion Loss: IEC 61300-3-4-MB	Average: 0,10dB, Max: 0,35dB
Return Loss: IEC 61300-3-6-MB	Singlemode: ≥ 60dB



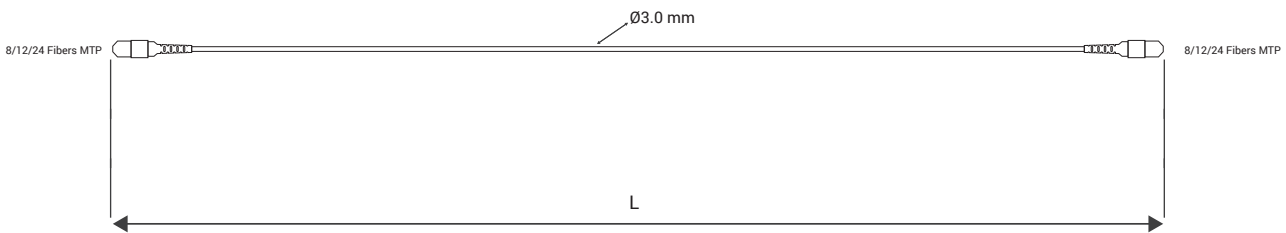
MTP-A2
Base-8



MTP-A2
Base-12



MTP-A2
Base-24



Sample Coding

U - PC - 08 - M - 48 - A2 - B - MTPEf - MTPEf - 05M

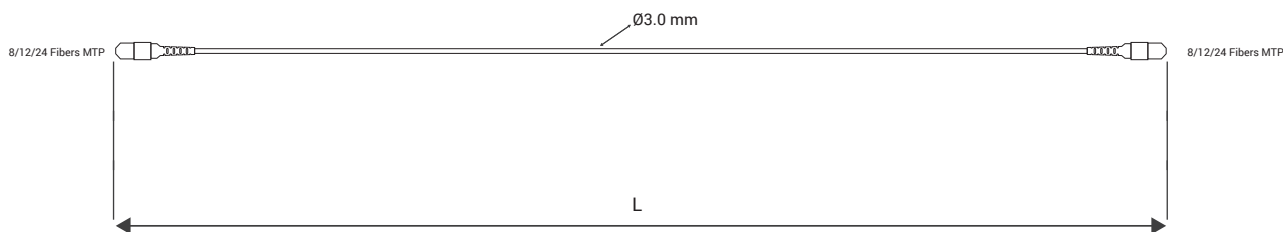
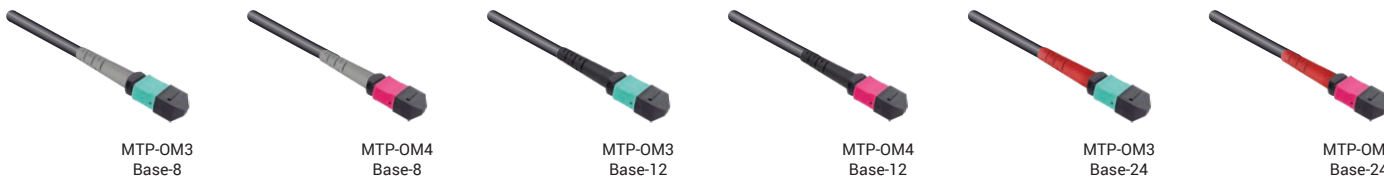
Type	Type	Fiber Count	Cable Type	Diameter	Fiber Type	Polarization	1. Connector	2. Connector	Length
Universal: U	Patch Cord: PC	8 Fibers: 08 12 Fibers: 12 24 Fibers: 24	MTP/MTP: M	4.8mm: 48	SM G.657 A2: A2	A Polarization: A B Polarization: B	MTP-Female: MTPEf MTP-Male: MTPEm	MTP-Female: MTPEf MTP-Male: MTPEm	... M

MTP Multi Mode Patch Cord | 4.8mm

Properties



MTP Connector Compliance	IEC 61754-7, TIA 604-5, RoHS
Base-8	8 Fibers
Base-12	12 Fibers
Base-24	24 Fibers
Cable Diameter	3.0mm
Operating Temperature	-10°C to +70°C
Flammability	UL94 V-0
Durability	> 100 mating cycles
Transmission with Applied Tensile Load	50 Newton
Insertion Loss: IEC 61300-3-4-MB	Average: 0,10dB, Max: 0,35dB
Return Loss: IEC 61300-3-6-MB	Multimode: ≥ 20dB



Sample Coding

U - PC - 08 - M - 48 - M4 - B - MTPEf - MTPEf - 05M

Type	Type	Fiber Count	Cable Type	Diameter	Fiber Type	Polarization	1. Connector	2. Connector	Length
Indoor: I	Patch Cord: PC	8 Fibers: 08 12 Fibers: 12 24 Fibers: 24	MTP/MTP: M	4.8mm: 48	MM G.651 OM3: M3 MM G.651 OM4: M4	A Polarization: A B Polarization: B	MTP-Female: MTPEf MTP-Male: MTPEm	MTP-Female: MTPEf MTP-Male: MTPEm	... M

8 Fibers Single Mode Fanout | 4.8mm

Properties

MTP Connector Compliance	IEC 61754-7, TIA 604-5, RoHS
LC Connector Compliance	IEC 61754-20, TIA 604-10-A, RoHS
Base-8	8 Fibers
Cable Diameter	4.8mm
Subunit Diameter	1.8mm
Alignment Technology LC Side	Full ceramic ferrule (Zirconia ZrO ₂)
Operating Temperature	-10°C to +70°C
Flammability	UL94 V-0
Durability (MTP/LC)	> 100/1000 mating cycles
Transmission with Applied Tensile Load	50 Newton
Insertion Loss: IEC 61300-3-4-MB	MTP ≤ 0,35dB (avg:0,1dB); LC ≤ 0.30dB
Return Loss: IEC 61300-3-6-MB	MTP: ≥60dB LC: UPC ≥50dB; APC ≥60dB
Connector End Face Geometry	IEC 61755-3



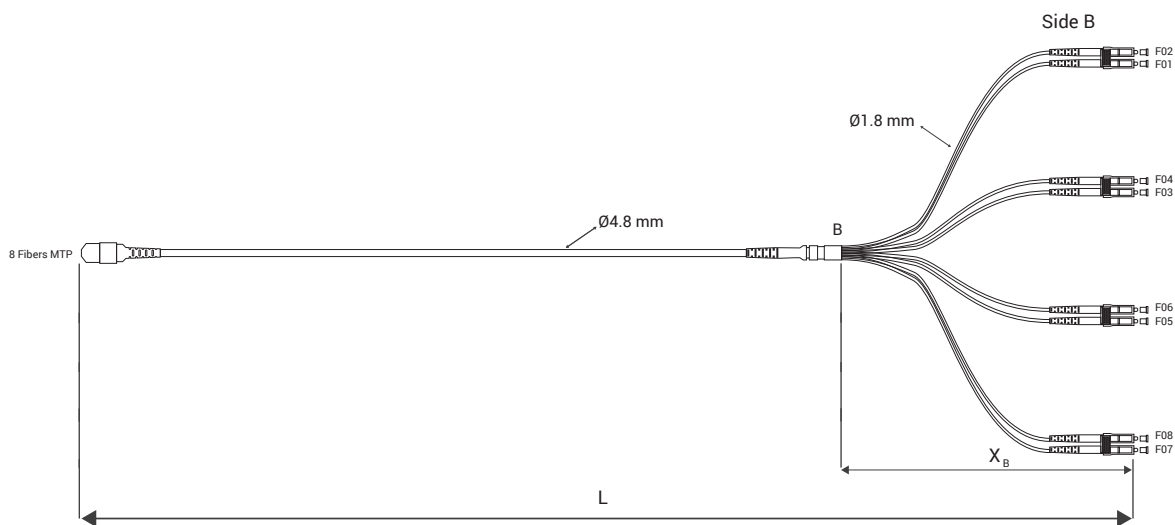
MTP-A2



LC-UPC



LC-APC



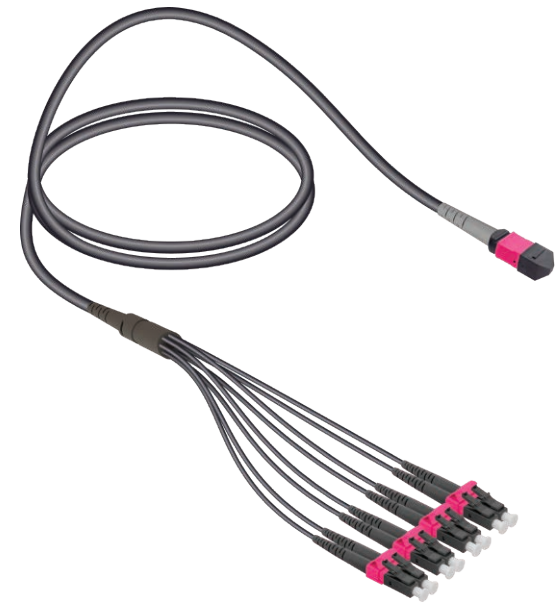
* X (Tube Length) is standard 500mm. Please contact us for different tube length.

Sample Coding

U - PC - 08 - M - 418 - A2 - B - MTPEf - 04LCD - 05M

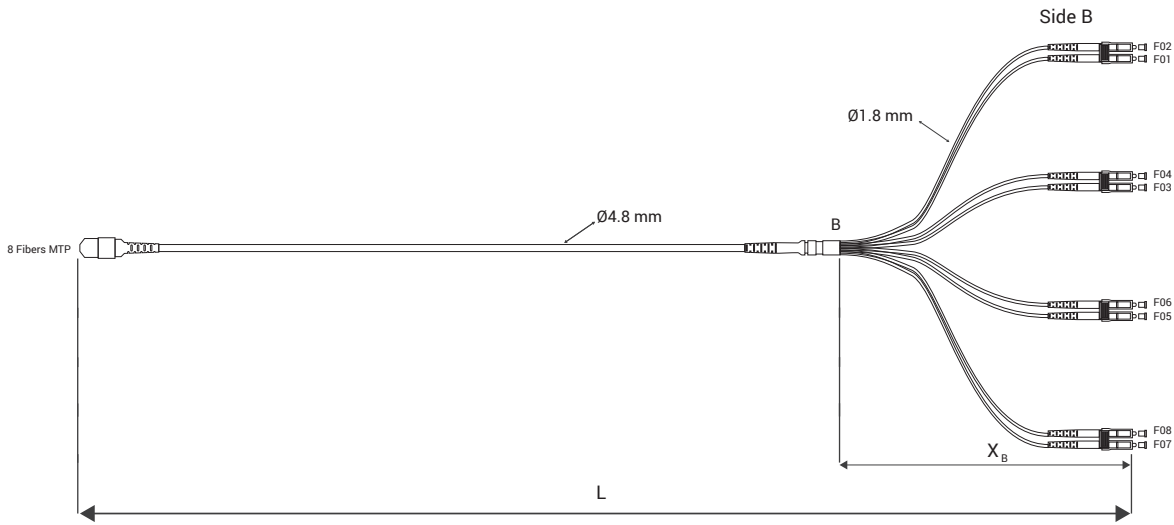
Type	Type	Fiber Count	Cable Type	Diameter	Fiber Type	Polarization	1. Connector	2. Connector	Length
Universal: U	Patch Cord: PC	8 Fibers: 08	MTP/Fanout: M	4.8/1.8mm: 418	SM G.657 A2: A2	A Polarization: A B Polarization: B	MTP-Female: MTPEf MTP-Male: MTPem	LC-UPC: 04LCD LC-APC: 04LAD	-- M

8 Fibers Multi Mode Fanout | 4.8mm



Properties

MTP Connector Compliance	IEC 61754-7, TIA 604-5, RoHS
LC Connector Compliance	IEC 61754-20, TIA 604-10-A, RoHS
Base-8	8 Fibers
Cable Diameter	4.8mm
Subunit Diameter	1.8mm
Alignment Technology LC Side	Full ceramic ferrule (Zirconia ZrO2)
Operating Temperature	-10°C to +70°C
Flammability	UL94 V-0
Durability (MTP/LC)	> 100/1000 mating cycles
Transmission with Applied Tensile Load	50 Newton
Insertion Loss: IEC 61300-3-4-MB	MTP ≤ 0,35dB (avg: 0,1dB); LC ≤ 0,4dB
Return Loss: IEC 61300-3-6-MB	MTP ≥ 20dB; LC ≥ 40dB
Connector End Face Geometry	IEC 61755-3



* X (Tube Length) is standard 500mm. Please contact us for different tube length.

Sample Coding

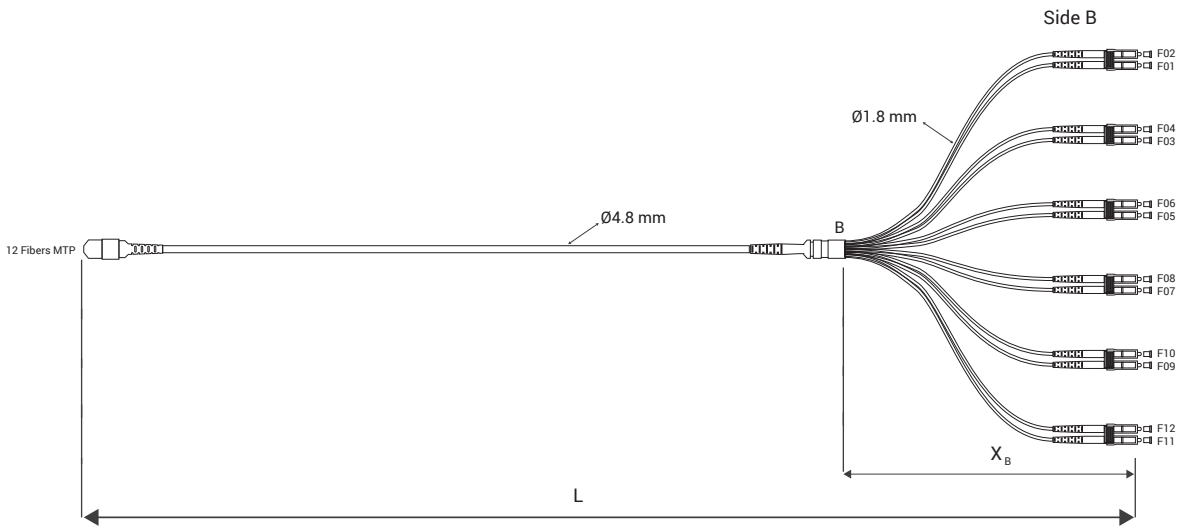
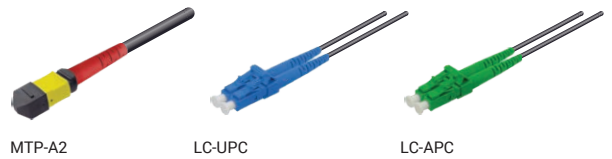
U - PC - 08 - M - 418 - M4 - B - MTPEf - 04LCD - 05M

Type	Type	Fiber Count	Cable Type	Diameter	Fiber Type	Polarization	1. Connector	2. Connector	Length
Universal: U	Patch Cord: PC	8 Fibers: 08	MTP/Fanout: M	4.8/1.8mm: 418	MM G.651 OM3: M3 MM G.651 OM4: M4	A Polarization: A B Polarization: B	MTP-Female: MTPEf MTP-Male: MTPEm	LC-UPC: 04LCD	_ _ M

12 Fibers Single Mode Fanout | 4.8mm

Properties

MTP Connector Compliance	IEC 61754-7, TIA 604-5, RoHS
LC Connector Compliance	IEC 61754-20, TIA 604-10-A, RoHS
Base-12	12 Fibers
Cable Diameter	4.8mm
Subunit Diameter	1.8mm
Alignment Technology LC Side	Full ceramic ferrule (Zirconia ZrO2)
Operating Temperature	-10°C to +70°C
Flammability	UL94 V-0
Durability (MTP/LC)	> 100/1000 mating cycles
Transmission with Applied Tensile Load	50 Newton
Insertion Loss: IEC 61300-3-4-MB	MTP ≤ 0,35dB (avg: 0,1 dB); LC ≤ 0.30dB
Return Loss: IEC 61300-3-6-MB	MTP: ≥ 60dB LC: UPC ≥ 50dB; APC ≥ 60dB
Connector End Face Geometry	IEC 61755-3



* X (Tube Length) is standard 500mm. Please contact us for different tube length.

Sample Coding

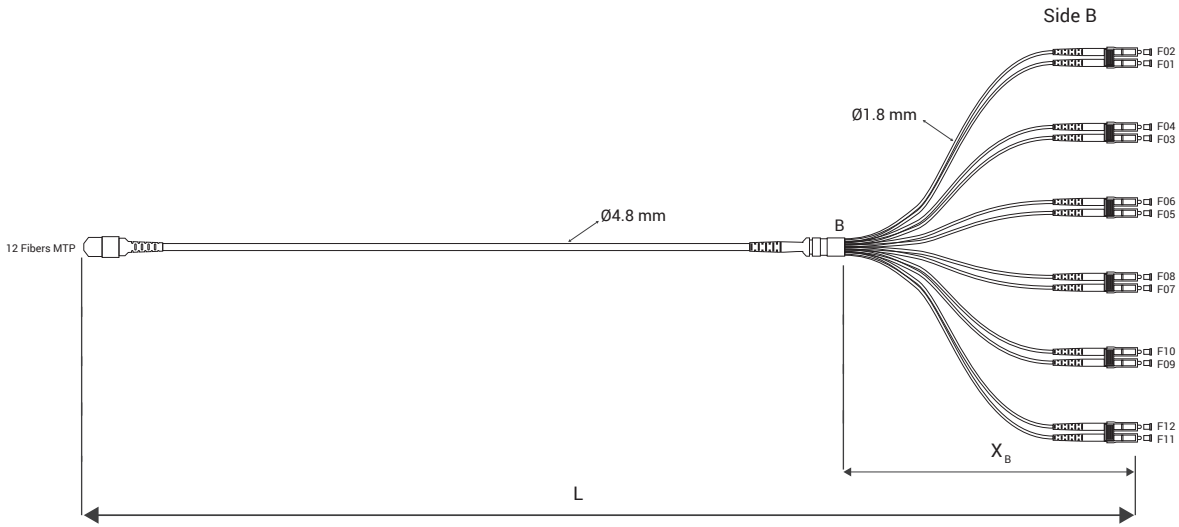
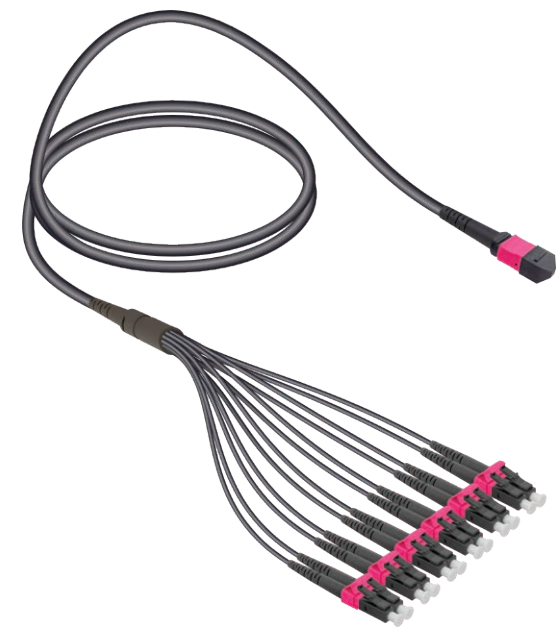
U - PC - 12 - M - 418 - A2 - B - MTPEf - 06LCD - 05M

Type	Type	Fiber Count	Cable Type	Diameter	Fiber Type	Polarization	1. Connector	2. Connector	Length
Universal: U	Patch Cord: PC	12 Fibers: 12	MTP/Fanout: M	4.8/1.8mm: 418	SM G.657 A2: A2	A Polarization: A B Polarization: B	MTP-Female: MTPEf MTP-Male: MTPem	LC-UPC: 06LCD LC-APC: 06LAD	-- M

12 Fibers Multi Mode Fanout | 4.8mm

Properties

MTP Connector Compliance	IEC 61754-7, TIA 604-5, RoHS
LC Connector Compliance	IEC 61754-20, TIA 604-10-A, RoHS
Base-12	12 Fibers
Cable Diameter	4.8mm
Subunit Diameter	1.8mm
Alignment Technology LC Side	Full ceramic ferrule (Zirconia ZrO2)
Operating Temperature	-10°C to +70°C
Flammability	UL94 V-0
Durability (MTP/LC)	> 100/1000 mating cycles
Transmission with Applied Tensile Load	50 Newton
Insertion Loss: IEC 61300-3-4-MB	MTP ≤ 0,35dB (avg: 0,1dB); LC ≤ 0,4dB
Return Loss: IEC 61300-3-6-MB	MTP: ≥ 20dB; LC: ≥ 40dB
Connector End Face Geometry	IEC 61755-3



* X (Tube Length) is standard 500mm. Please contact us for different tube length.

Sample Coding

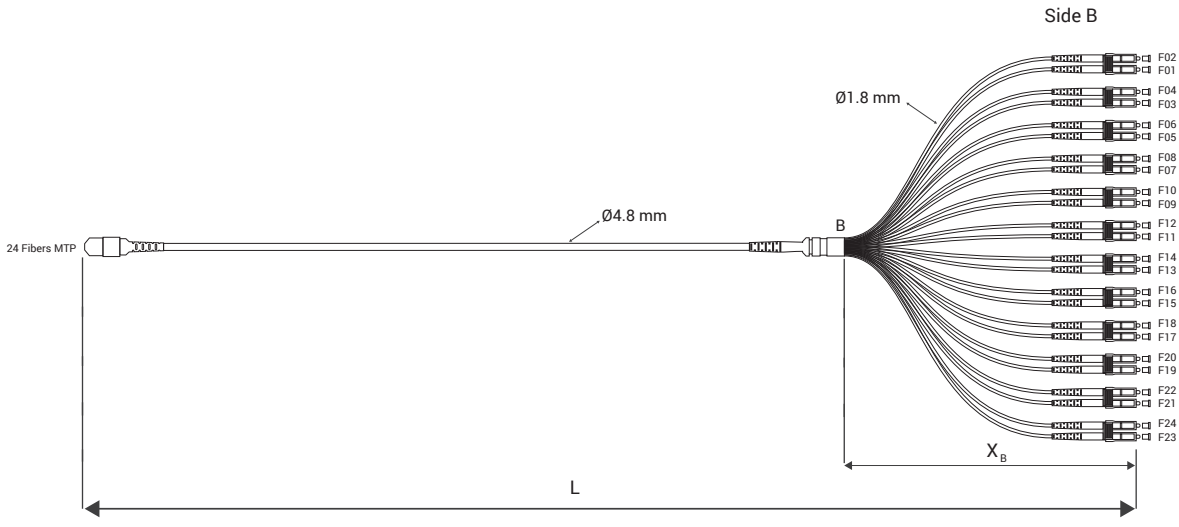
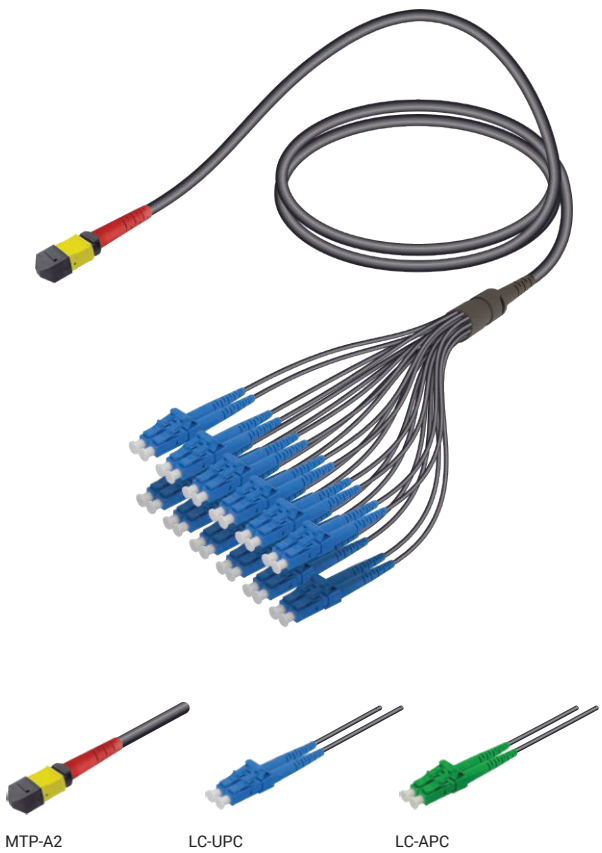
U - PC - 12 - M - 418 - M4 - B - MTPEf - 06LCD - 05M

Type	Type	Fiber Count	Cable Type	Diameter	Fiber Type	Polarization	1. Connector	2. Connector	Length
Universal: U	Patch Cord: PC	12 Fibers: 12	MTP/Fanout: M	4.8/1.8mm: 418	MM G.651 OM3: M3 MM G.651 OM4: M4	A Polarization: A B Polarization: B	MTP-Female: MTPEf MTP-Male: MTPem	LC-UPC: 06LCD	__ M

24 Fibers Single Mode Fanout | 4.8mm

Properties

MTP Connector Compliance	EC 61754-7, TIA 604-5, RoHS
LC Connector Compliance	IEC 61754-20, TIA 604-10-A, RoHS
Base-24	24 Fibers
Cable Diameter	4.8mm
Subunit Diameter	1.8mm
Alignment Technology LC Side	Full ceramic ferrule (Zirconia ZrO2)
Operating Temperature	-10°C to +70°C
Flammability	UL94 V-0
Durability (MTP/LC)	> 100/1000 mating cycles
Transmission with Applied Tensile Load	50 Newton
Insertion Loss: IEC 61300-3-4-MB	MTP ≤ 0.35dB (avg: 0.1dB); LC ≤ 0.30dB
Return Loss: IEC 61300-3-6-MB	MTP: ≥ 60dB LC: UPC ≥ 50dB; APC ≥ 60dB
Connector End Face Geometry	IEC 61755-3



* X (Tube Length) is standard 500mm. Please contact us for different tube length.

Sample Coding

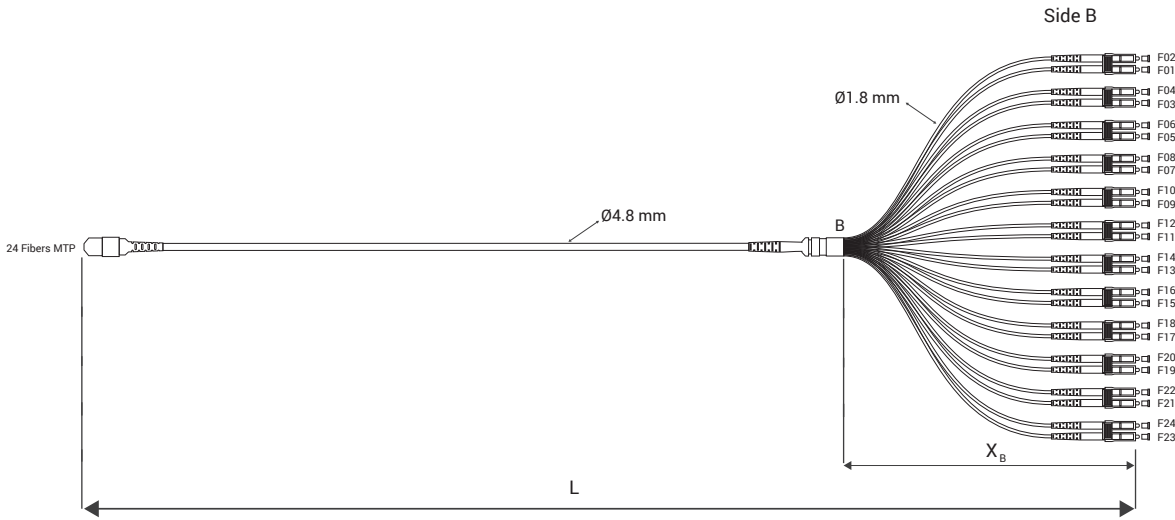
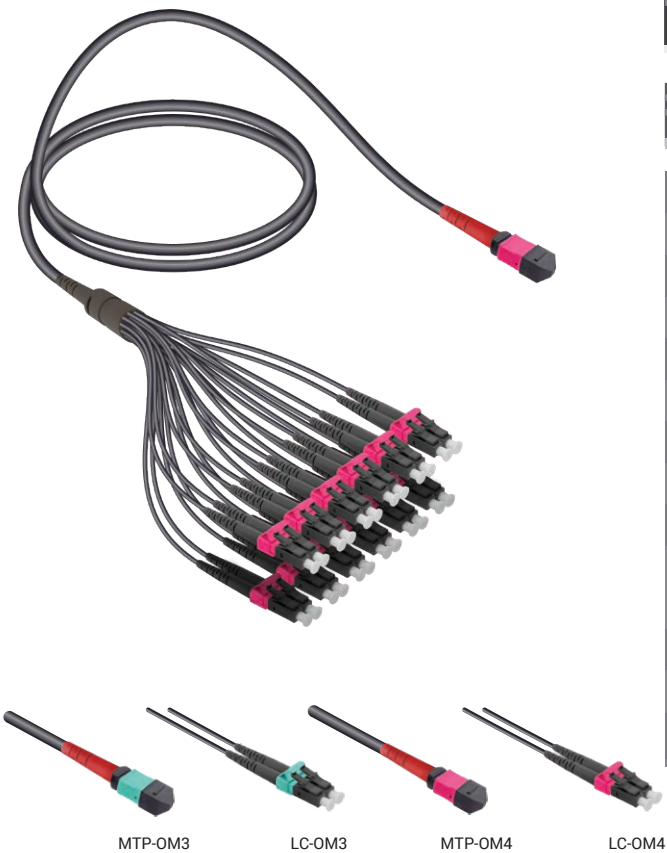
U - PC - 24 - M - 418 - A2 - B - MTPEf - 12LCD - 05M

Type	Type	Fiber Count	Cable Type	Diameter	Fiber Type	Polarization	1. Connector	2. Connector	Length
Universal: U	Patch Cord: PC	24 Fibers: 24	MTP/Fanout: M	4.8/1.8mm: 418	SM G.657 A2: A2	A Polarization: A B Polarization: B	MTP-Female: MTPEf MTP-Male: MTPEm	LC-UPC: 12LCD LC-APC: 12LAD	-- M

24 Fibers Multi Mode Fanout | 4.8mm

Properties

MTP Connector Compliance	IEC 61754-7, TIA 604-5, RoHS
LC Connector Compliance	IEC 61754-20, TIA 604-10-A, RoHS
Base-24	24 Fibers
Cable Diameter	4.8mm
Subunit Diameter	1.8mm
Alignment Technology LC Side	Full ceramic ferrule (Zirconia ZrO2)
Operating Temperature	-10°C to +70°C
Flammability	UL94 V-0
Durability (MTP/LC)	> 100/1000 mating cycles
Transmission with Applied Tensile Load	50 Newton
Insertion Loss: IEC 61300-3-4-MB	MTP ≤ 0,35dB (avg: 0,1 dB); LC ≤ 0,4dB
Return Loss: IEC 61300-3-6-MB	MTP: ≥ 20dB; LC: ≥ 40dB
Connector End Face Geometry	IEC 61755-3



* X (Tube Length) is standard 500mm. Please contact us for different tube length.

Sample Coding

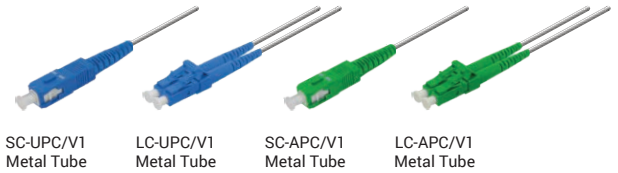
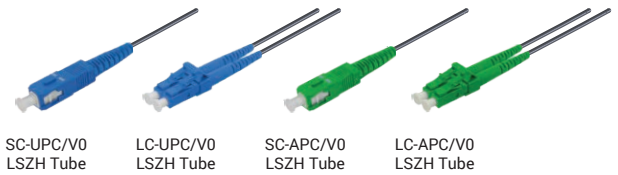
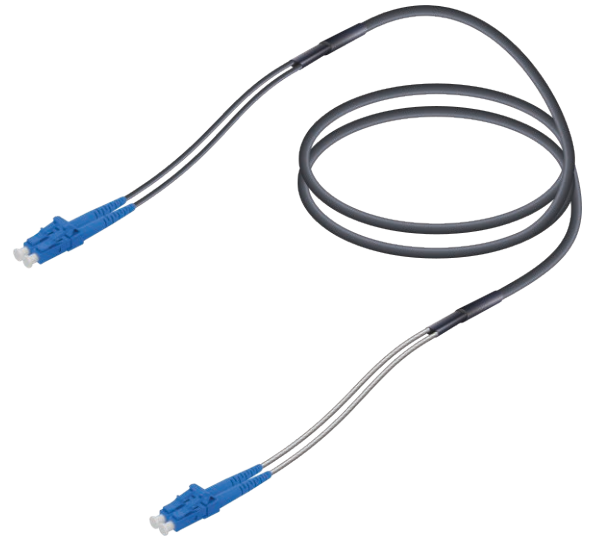
U - PC - 24 - M - 418 - M4 - B - MTPEf - 12LCD - 05M

Type	Type	Fiber Count	Cable Type	Diameter	Fiber Type	Polorization	1. Connector	2. Connector	Length
Universal: U	Patch Cord: PC	24 Fibers: 24	MTP/Fanout: M	4.8/1.8mm: 418	MM G.651 OM3: M3 MM G.651 OM4: M4	A Polorization: A B Polorization: B	MTP-Female: MTPEf MTP-Male: MTPEm	LC-UPC: 12LCD	_ _ M

2 Fibers Single Mode Breakout | 4.8mm

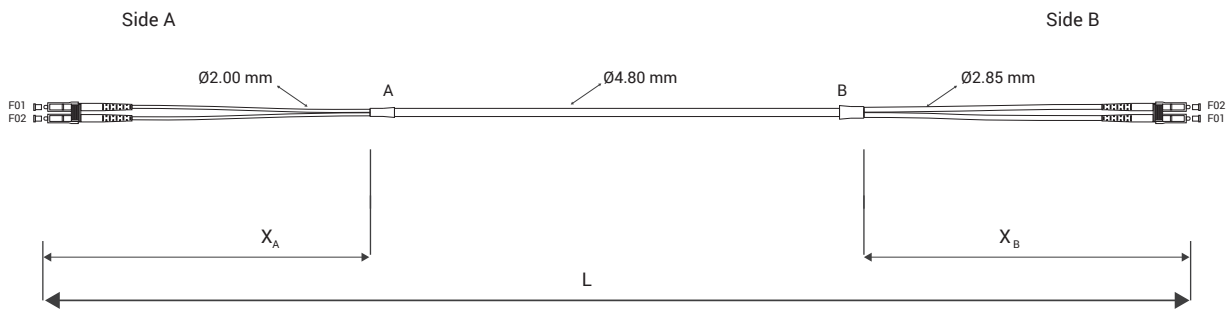
Properties

LC Connector Compliance	IEC 61754-20, TIA 604-10-A, RoHS
SC Connector Compliance	IEC 61754-4, TIA 604-3, RoHS
Fiber Count	2 Fibers
Cable Diameter	4.8mm
Subunit Diameter	0.9mm
Alignment Technology	Full ceramic ferrule (Zirconia ZrO2)
Operating Temperature	-40°C to +85°C
Flammability	UL94 V-0
Durability	>1000 mating cycles
Transmission with Applied Tensile Load	GR-326 CORE 4.4.3.5
Insertion Loss: IEC 61300-3-4-MB	Single Mode $\leq 0.30\text{dB}$
Return Loss: IEC 61300-3-6-MB	Single Mode UPC $\geq 50\text{dB}$ Single Mode APC $\geq 60\text{dB}$
Connector End Face Geometry	IEC 61755-3



Cable Diameter: 4.8mm
Subunit Diameter: 0.9mm

— Metal Corugated Diameter (V1 Model): 2.85mm
— Normal Tube Diameter (V0 Model): 2.00 mm



* X (Tube Length) is standard 500mm. Please contact us for different tube length.

Sample Coding

U - PC - 2 - B - 48 - A2 - LC/V0 - LC/V1 - 05M

Type	Type	Fiber Count	Cable Type	Diameter	Fiber Type	1. Connector	2. Connector	Length
Universal: U	Patch Cord: PC	2 Fibers: 2	Breakout: B	4.8mm: 48	SM G.657 A2: A2	SC-UPC/V0: SC/V0 SC-APC/V0: SA/V0 SC-UPC/V1: SC/V1 SC-APC/V1: SA/V1 LC-UPC/V0: LC/V0 LC-APC/V0: LA/V0 LC-UPC/V1: LC/V1 LC-APC/V1: LA/V1	SC-UPC/V0: SC/V0 SC-APC/V0: SA/V0 SC-UPC/V1: SC/V1 SC-APC/V1: SA/V1 LC-UPC/V0: LC/V0 LC-APC/V0: LA/V0 LC-UPC/V1: LC/V1 LC-APC/V1: LA/V1	-- M



2 Fibers Multi Mode Breakout | 4.8mm

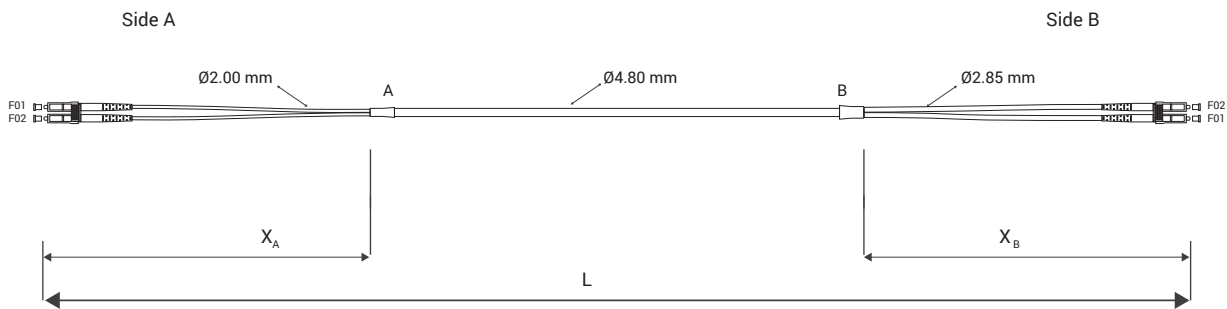
Properties

LC Connector Compliance	IEC 61754-20, TIA 604-10-A, RoHS
SC Connector Compliance	IEC 61754-4, TIA 604-3, RoHS
Fiber Count	2 Fibers
Cable Diameter	4.8mm
Subunit Diameter	1.8mm
Alignment Technology	Full ceramic ferrule (Zirconia ZrO ₂)
Operating Temperature	-40°C to +85°C
Flammability	UL94 V-0
Durability	>1000 mating cycles
Transmission with Applied	GR-326 CORE 4.4.3.5
Tensile Load	
Insertion Loss: IEC 61300-3-4-MB	Multimode: ≤ 0.40dB
Return Loss: IEC 61300-3-6-MB	Multimode: ≥ 40dB
Connector End Face Geometry	IEC 61755-3



- Metal Corugated Diameter (V1 Model): 2.85mm
- Normal Tube Diameter (V0 Model): 2.00 mm

Cable Diameter: 4.8mm
Subunit Diameter: 0.9mm



* X (Tube Length) is standard 500mm. Please contact us for different tube length.

Sample Coding

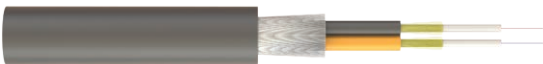
U - PC - 2 - B - 48 - M3 - LC/V0 - LC/V1 - 05M

Type	Type	Fiber Count	Cable Type	Diameter	Fiber Type	1. Connector	2. Connector	Length
Universal: U	Patch Cord: PC	2 Fibers: 2	Breakout: B	4.8mm: 48	MM G.651 OM2: M2 MM G.651 OM3: M3 MM G.651 OM4: M4	SC-UPC/V0: SC/V0 SC-UPC/V1: SC/V1 LC-UPC/V0: LC/V0 LC-UPC/V1: LC/V1	SC-UPC/V0: SC/V0 SC-UPC/V1: SC/V1 LC-UPC/V0: LC/V0 LC-UPC/V1: LC/V1	---M

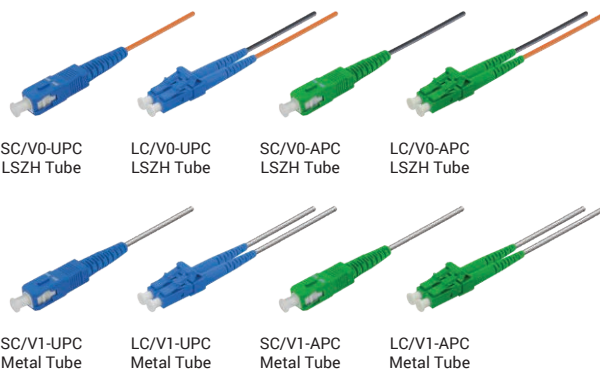
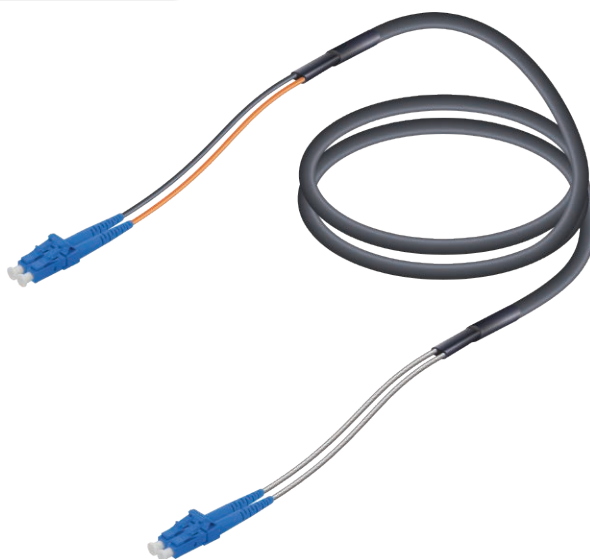
2 Fibers Single Mode Breakout | 7.0mm

Properties

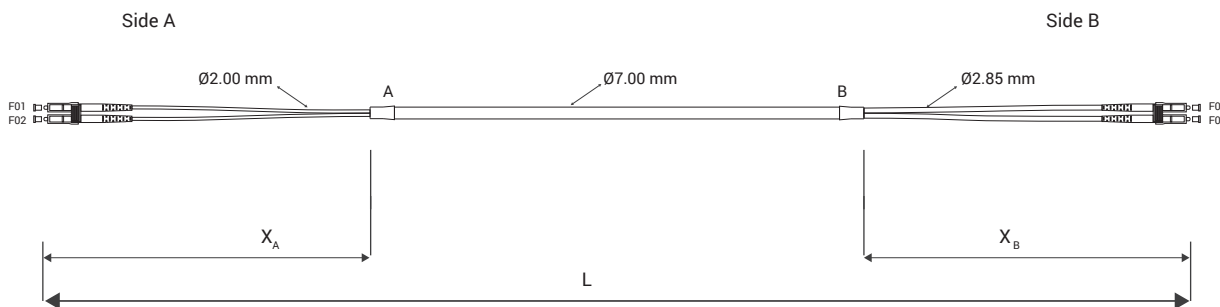
LC Connector Compliance	IEC 61754-20, TIA 604-10-A, RoHS
SC Connector Compliance	IEC 61754-4, TIA 604-3, RoHS
Fiber Count	2 Fibers
Cable Diameter	7.0mm
Subunit Diameter	2.0mm
Alignment Technology	Full ceramic ferrule (Zirconia ZrO2)
Operating Temperature	-40°C to +85°C
Flammability	UL94 V-0
Durability	>1000 mating cycles
Transmission with Applied Tensile Load	GR-326 CORE 4.4.3.5
Insertion Loss: IEC 61300-3-4-MB	Single Mode ≤ 0.30 dB
Return Loss: IEC 61300-3-6-MB	Single Mode UPC ≥ 50 dB Single Mode APC ≥ 60 dB
Connector End Face Geometry	IEC 61755-3



Cable Diameter: 7.0mm
Subunit Diameter: 2.0mm



— Metal Corrugated Diameter (V1 Model): 2.85mm
— Normal Tube Diameter (V0 Model): 2.00 mm





* X (Tube Length) is standard 500mm. Please contact us for different tube length.

Sample Coding

U - PC - 2 - B - 70 - A2 - LC/V0 - LC/V1 - 05M

Type	Type	Fiber Count	Cable Type	Diameter	Fiber Type	1. Connector	2. Connector	Length
Universal: U	Patch Cord: PC	2 Fibers: 2	Breakout: B	7.0mm: 70	SM G.657 A2: A2	SC-UPC/V0: SC/V0 SC-APC/V0: SA/V0 SC-UPC/V1: SC/V1 SC-APC/V1: SA/V1 LC-UPC/V0: LC/V0 LC-APC/V0: LA/V0 LC-UPC/V1: LC/V1 LC-APC/V1: LA/V1	SC-UPC/V0: SC/V0 SC-APC/V0: SA/V0 SC-UPC/V1: SC/V1 SC-APC/V1: SA/V1 LC-UPC/V0: LC/V0 LC-APC/V0: LA/V0 LC-UPC/V1: LC/V1 LC-APC/V1: LA/V1	-- M



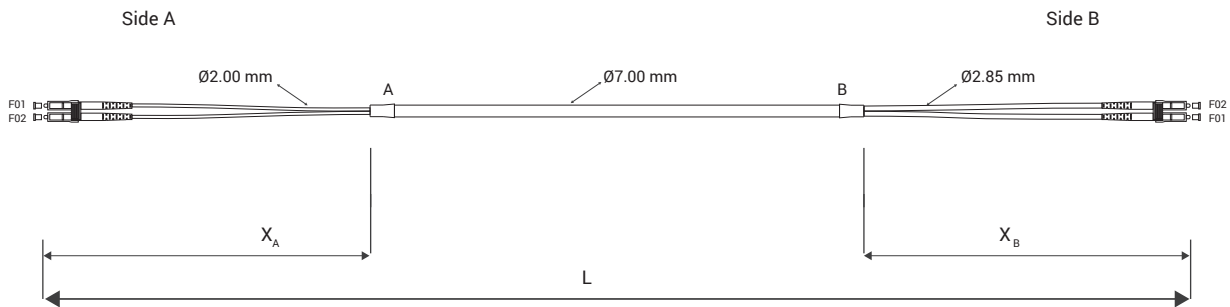
 Metal Corugated Diameter (V1 Model): 2.85mm
 Normal Tube Diameter (V0 Model): 2.00 mm

Cable Diameter: 7.0mm
 Subunit Diameter: 2.0mm

2 Fibers Multi Mode Breakout | 7.0mm

Properties

LC Connector Compliance	IEC 61754-20, TIA 604-10-A, RoHS
SC Connector Compliance	IEC 61754-4, TIA 604-3, RoHS
Fiber Count	2 Fibers
Cable Diameter	7.0mm
Subunit Diameter	2.0mm
Alignment Technology	Full ceramic ferrule (Zirconia ZrO ₂)
Operating Temperature	-40°C to +85°C
Flammability	UL94 V-0
Durability	>1000 mating cycles
Transmission with Applied	GR-326 CORE 4.4.3.5
Tensile Load	
Insertion Loss: IEC 61300-3-4-MB	Multimode: ≤ 0.40dB
Return Loss: IEC 61300-3-6-MB	Multimode: ≥ 40dB
Connector End Face Geometry	IEC 61755-3



* X (Tube Length) is standard 500mm. Please contact us for different tube length.

Sample Coding

U - PC - 2 - B - 70 - M3 - LC/V0 - LC/V1 - 05M

Type	Type	Fiber Count	Cable Type	Diameter	Fiber Type	1. Connector	2. Connector	Length
Universal: U	Patch Cord: PC	2 Fibers: 2	Breakout: B	7.0mm: 70	MM G.651 OM2: M2 MM G.651 OM3: M3 MM G.651 OM4: M4	SC-UPC/V0: SC/V0 SC-UPC/V1: SC/V1 LC-UPC/V0: LC/V0 LC-UPC/V1: LC/V1	SC-UPC/V0: SC/V0 SC-UPC/V1: SC/V1 LC-UPC/V0: LC/V0 LC-UPC/V1: LC/V1	__M

Contact Us

North America

World Headquarters:

The CopperOn Company

2100 M ST NW, Washington DC 20037, USA.

Tel: (202) 594 3140

Fax: (202) 594 3141

Email: contactHQ@copperon.com

Website: www.copperon.com

Engineering Office:

The CopperOn Company

1001 N Fillmore St., Arlington VA 22201, USA.

Email: contactRD@copperon.com

Website: www.copperon.com

Asia:

Singapore

The CopperOn Pte Ltd.

Scotts Road, #26-10, SGAW Centre, Singapore 228208

Tel: +65 96338723

Fax: +65 6734 3706

Email: contactAP@copperon.com

Website: www.copperon.com

MENA

The CopperOn Company MEA FZCO

Light Industrial Unit Phase 1, Unit 5- Dubai Silicon Oasis,
Dubai, United Arab Emirates

Tel: +971-4-3344970

Fax: +971-4-3344971

Website: www.copperon.com

Email: info@copperon.com

India

The CopperOn Technology Pvt. Ltd

201, Kaivanna Panchwati Circle, Ambawadi,
Ahmedabad, 380006 Gujrat, India

Tel: +91 22 4611 4444

Fax: +91 22 4611 4544

Website: contactindia@copperon.com

Email: www.copperon.com

CopperOn Technology Pvt. Ltd

130 Udyog Bhavan, Sonawala Road,
Goregaon (East) Mumbai 400063, India

Tel: +91 22 4611 4444

Fax: +91 22 4611 4544

Website: www.copperon.com

Email: sales.india@copperon.com