



CopperOnTM

"SETTING THE STANDARD IN STRUCTURED CABLING"

Fiber Raceway Systems

Fiber Raceway Systems

CopperOn fiber optic raceway system is a fully enclosed ducting system that segregates, routes, and protects fiber optic cables and jumpers from building entry point to fiber termination and distribution equipment. With the raceway system, fiber is easily traced and accessed through its convenient fully wrap-around, lay-in design.

Straight channels and curved fittings are specifically designed to prevent fibers from violating a 50mm minimum bend Radius requirement and they protect fibers from snagging, crimping, and stress.

The system's modular design and extensive mounting kit selection enable the Project engineer to meet cable capacity requirements and future expansion needs using existing superstructure, cable racking and/or equipment racking.

The flexibility and simplicity of the CopperOn raceway system ensures cost-effective installations for new or existing cable routes in Central Offices, CEVs, Head-ends, Remote Offices, Data Centers, and Wiring Closets.



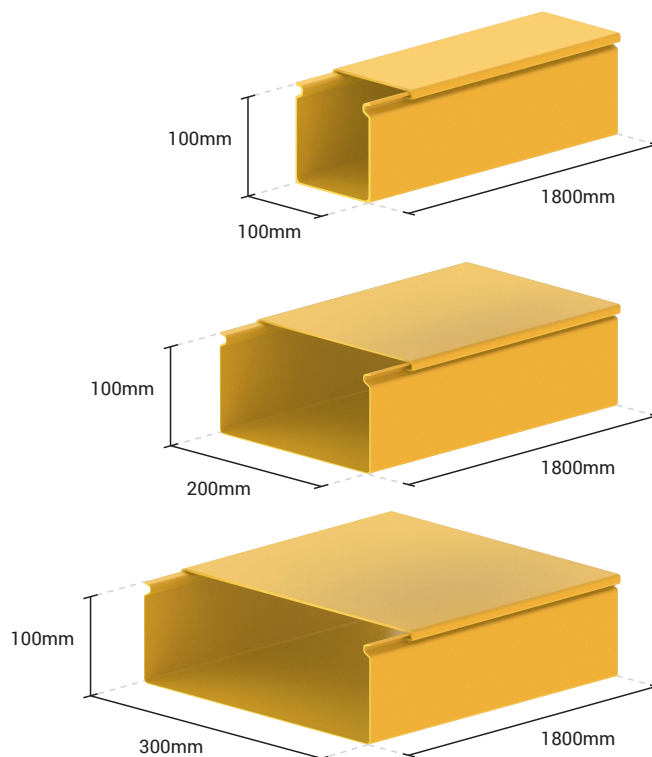
Technical Features

- All exposed surfaces are textured
- High impact thermoplastic robust design,PC/ABS blend
- Flammability rating of V-0 according to UL 94
- Hardware-free covers on all components
- Halogen-free (RoHS compliant)
- Robust and strong product design
- Versatile mounting kits
- Internal cable retainers



Solid Channels

Description	Order Code
100mm_Solid Channel, W/O Cover	GT00348
100mm_Solid Channel Cover	GT00349
100mm_Solid Channel, W/ Cover	XT00252
200mm_Solid Channel, W/O Cover	GT00437
200mm_Solid Channel Cover	GT00438
200mm_Solid Channel, W/ Cover	XT00302
300mm_Solid Channel, W/O Cover	GT00435
300mm_Solid Channel Cover	GT00436
300mm_Solid Channel, W/ Cover	XT00070



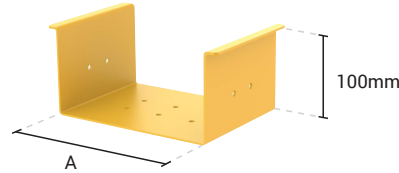
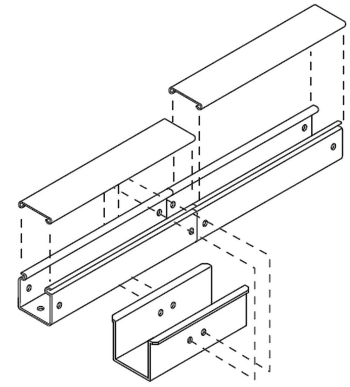
Usable Filling Capacities

	Cable Diameter mm	Duct 100 x 100	Duct 100 x 200	Duct 100 x 300	Tube 50 D.	Tube 100 D.
Recommended	1.7	960	1920	2880	250	500
	2	721	1443	2164	208	415
	2.4	500	1000	1500	144	288
	3	320	640	960	100	200
Maximum	1.7	1728	3456	5184		
	2	1298	2597	3895		
	2.4	905	1810	2715		
	3	580	1160	1740		

Recommended numbers are according to Telcordia 449 (maximum 50 mm pile height)

Channel to Channel Assembly

To create straight sections of channel beyond 1.8 meter in length, individual straight sections are joined using a channel splice position the end of one channel half way into the channel splice. Fasten the two components using M6 mushroom head bolts and nuts butt the second channel to the first within the channel splice, assemble and fasten in a similar manner.

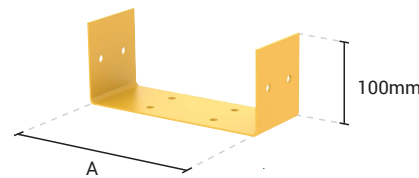
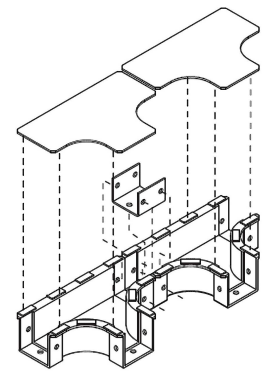


Description	Order Code
100mm_Solid Channel Fitting	XT00249
200mm_Solid Channel Fitting	XT00299
300mm_Solid Channel Fitting	XT00251

A
100mm
200mm
300mm

Fitting to Fitting Assembly

To assemble two fittings together use a fitting splice fitting splices are designed to fit within the female receptacle on each fitting. Position the fitting splice within the receptacle of the fitting itself. Fasten the two components using M6 mushroom head bolts and nuts place the second fitting over the fitting splice and fasten in a similar manner.

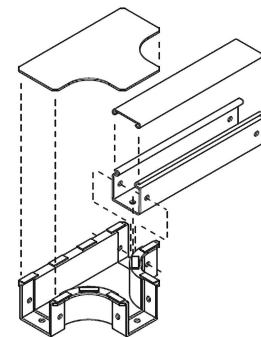


Description	Order Code
100mm_Accessory Fitting	XT00127
200mm_Accessory Fitting	XT00075
300mm_Accessory Fitting	XT00254

A
100mm
200mm
300mm

Channel to Fitting Assembly

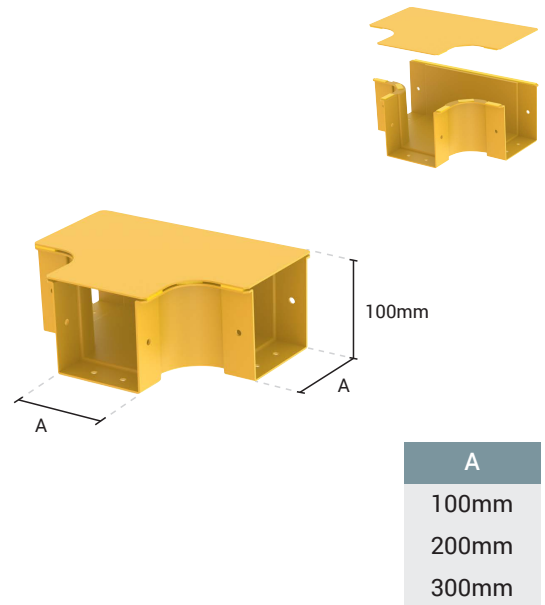
All fittings are designed with female receptacles at their outlets. These receptacles are dimensionally designed to accept straight channels without the use of additional parts or junction kits. This helps to reduce the total number of parts required for typical installations. Fewer parts to install translates into reduced material costs and assembly time. To install a fitting to the end of a channel section, simply slip the channel into the receptacle of the fitting. Fasten the two components using M6 mushroom head bolts and nuts. When complete the channel cover fits under the fitting cover, eliminating any gaps.



No Accessory Fitting Required!

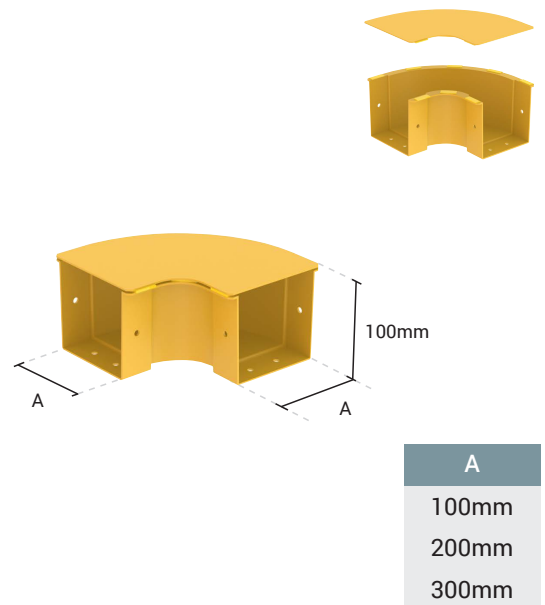
Horizontal "T" Connections

Description	Order Code
100mm_Horizontal "T" Connection, W/O Cover	GT00334
100mm_Horizontal "T" Connection Cover	GT00335
100mm_Horizontal "T" Connection, W/ Cover	XT00241
200mm_Horizontal "T" Connection, W/O Cover	GT00622
200mm_Horizontal "T" Connection Cover	GT00623
200mm_Horizontal "T" Connection, W/ Cover	XT00304
300mm_Horizontal "T" Connection, W/O Cover	GT00371
300mm_Horizontal "T" Connection Cover	GT00372
300mm_Horizontal "T" Connection, W/ Cover	XT00086



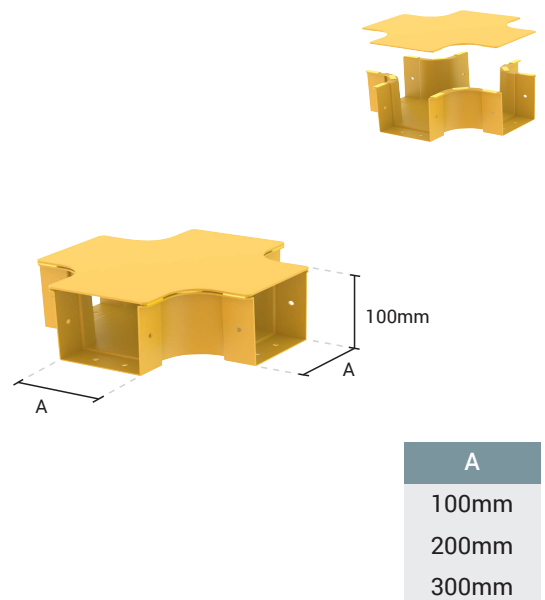
90° Horizontal Elbows

Description	Order Code
100mm_Horizontal Elbow, W/O Cover	GT00337
100mm_Horizontal Elbow Cover	GT00336
100mm_Horizontal Elbow, W/ Cover	XT00242
200mm_Horizontal Elbow, W/O Cover	GT00624
200mm_Horizontal Elbow Cover	GT00625
200mm_Horizontal Elbow, W/ Cover	XT00303
300mm_Horizontal Elbow, W/O Cover	GT00362
300mm_Horizontal Elbow Cover	GT00361
300mm_Horizontal Elbow, W/ Cover	XT00256



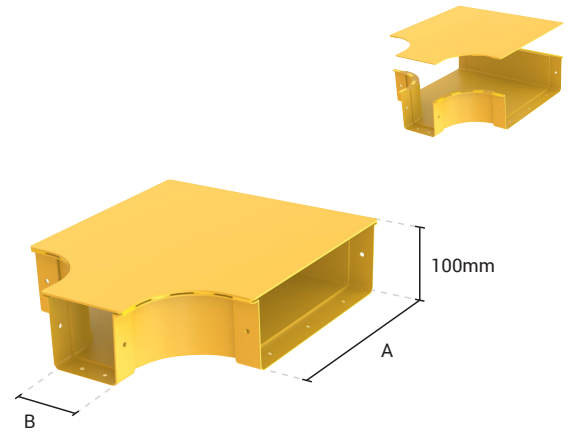
4-Way Cross Connections

Description	Order Code
100mm_4 Way Cross Connection, W/O Cover	GT00344
100mm_4 Way Cross Connection Cover	GT00345
100mm_4 Way Cross Connection, W/ Cover	XT00246
200mm_4 Way Cross Connection, W/O Cover	GT00656
200mm_4 Way Cross Connection Cover	GT00657
200mm_4 Way Cross Connection, W/ Cover	XT00309
300mm_4 Way Cross Connection, W/O Cover	GT00396
300mm_4 Way Cross Connection Cover	GT00397
300mm_4 Way Cross Connection, W/ Cover	XT00227



Horizontal "T" Reducers

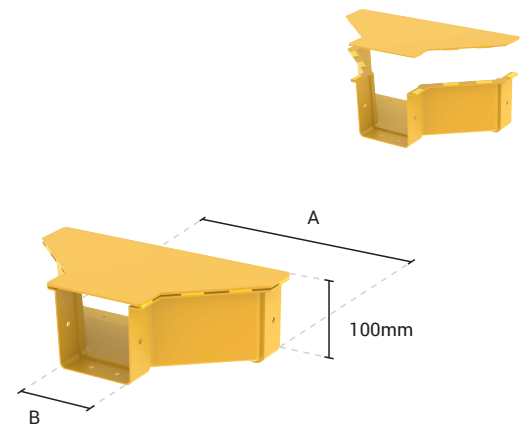
Description	Order Code
3010_Horizontal "T" Reducer, W/O Cover	GT00346
3010_Horizontal "T" Reducer Cover	GT00347
3010_Horizontal "T" Reducer, W/ Cover	XT00247
3020_Horizontal "T" Reducer, W/O Cover	GT00645
3020_Horizontal "T" Reducer Cover	GT00646
3020_Horizontal "T" Reducer, W/ Cover	XT00313
2010_Horizontal "T" Reducer, W/O Cover	GT00647
2010_Horizontal "T" Reducer Cover	GT00648
2010_Horizontal "T" Reducer, W/ Cover	XT00312



Size Coding	A	B
3010	300mm	100mm
3020	300mm	200mm
2010	200mm	100mm

Horizontal Line Reducers

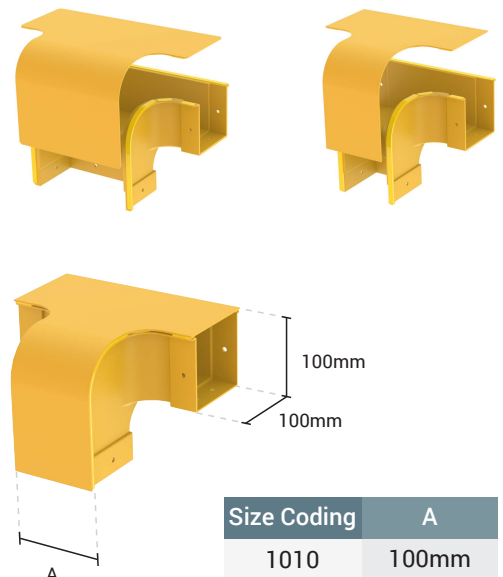
Description	Order Code
3010_Horizontal Reducer, W/O Cover	GT00366
3010_Horizontal Reducer Cover	GT00365
3010_Horizontal Reducer, W/ Cover	XT00257
3020_Horizontal Reducer, W/O Cover	GT00660
3020_Horizontal Reducer Cover	GT00661
3020_Horizontal Reducer, W/ Cover	XT00073
2010_Horizontal Reducer, W/O Cover	GT00662
2010_Horizontal Reducer Cover	GT00663
2010_Horizontal Reducer, W/ Cover	XT00314



Size Coding	A	B
3010	300mm	100mm
3020	300mm	200mm
2010	200mm	100mm

Vertical Offset Drops | 100mm

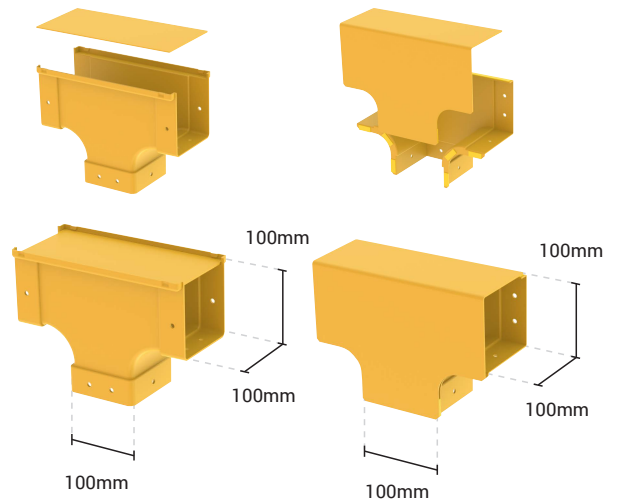
Description	Order Code
1010_Vertical Offset Drop, W/O Cover	GT00637
1010_Vertical Offset Drop Cover	GT00638
1010_Vertical Offset Drop, W/ Cover	XT00298
1020_Vertical Offset Drop, W/O Cover	GT00640
1020_Vertical Offset Drop Cover	GT00639
1020_Vertical Offset Drop, W/ Cover	XT00563



Size Coding	A
1010	100mm
1020	200mm

Vertical Line Drops | 100mm

Description	Order Code
100mm_Top Side Open Vertical Drop, W/O Cover	GT00753
100mm_Top Side Open Vertical Drop Cover	GT00754
100mm_Top Side Open Vertical Drop, W/ Cover	XT00734
100mm_One Side Open Vertical Drop, W/O Cover	GT00342
100mm_One Side Open Vertical Drop Cover	GT00343
100mm_One Side Open Vertical Drop, W/ Cover	XT00245

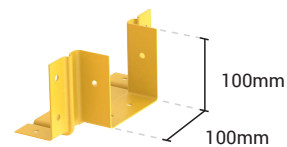


Top Side Open

One Side Open

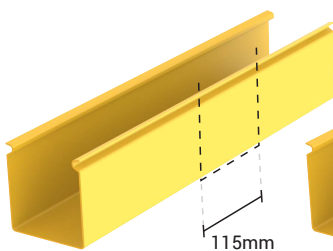
Cut-off Drop Connection

Description	Order Code
100mm_Cut-off Drop Connection	XT00286



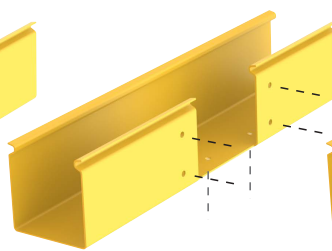
1

Cut open the channel as shown below.



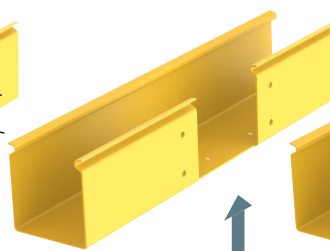
2

Drill screw holes at the proper screw points.



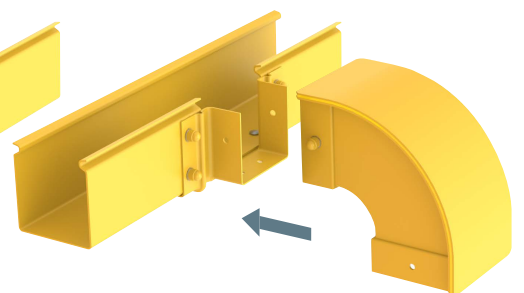
3

Mount the Connection and screw it properly.



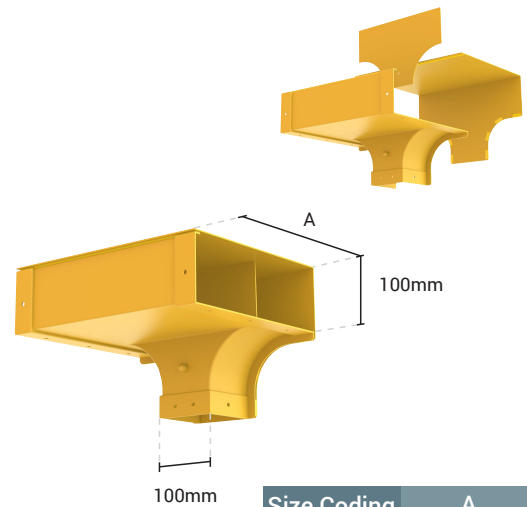
4

Install the compatible drop out-let.



Vertical Line Drops

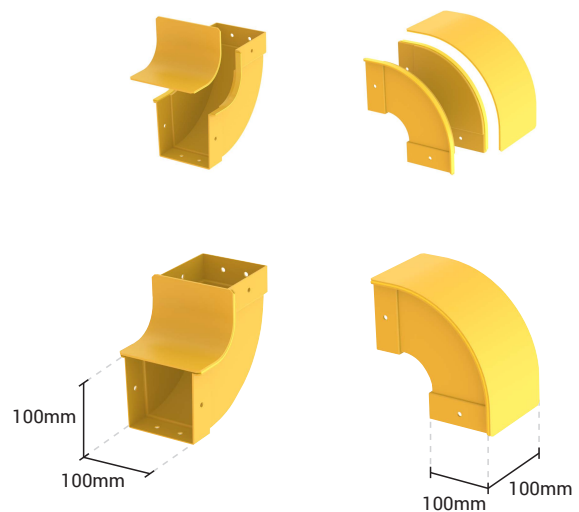
Description	Order Code
2010_Vertical Line Drop, W/O Cover	GT00642
2010_Vertical Line Drop Cover	GT00641
2010_Vertical Line Drop, W/ Cover	XT00310
3010_Vertical Line Drop, W/O Cover	GT00359
3010_Vertical Line Drop Cover	GT00360
3010_Vertical Line Drop, W/ Cover	XT00255



Size Coding	A
2010	200mm
3010	300mm

90° Inside/Outside Open Vertical Elbows

Description	Order Code
100mm_Inside Open Vertical Elbow, W/O Cover	GT00338
100mm_Inside Open Vertical Elbow Cover	GT00339
100mm_Inside Open Vertical Elbow, W/ Cover	XT00243
100mm_Outside Open Vertical Elbow, W/O Cover	GT00341
100mm_Outside Open Vertical Elbow Cover	GT00340
100mm_Outside Open Vertical Elbow, W/ Cover	XT00244

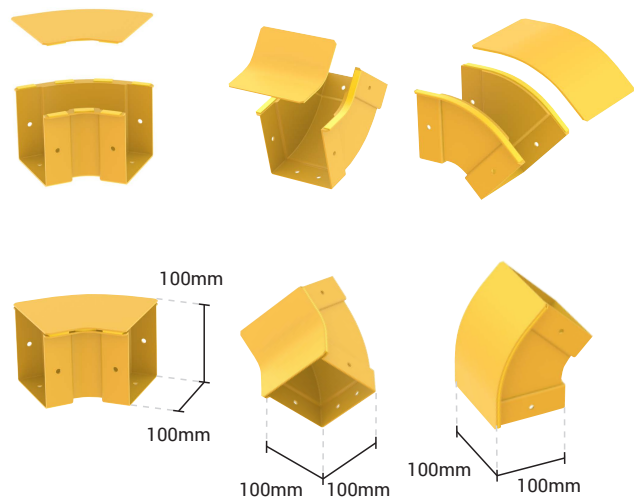


Inside Open

Outside Open

45° Horizontal/Vertical Elbows

Description	Order Code
100mm_Horizontal Elbow 45°, W/O Cover	GT00649
100mm_Horizontal Elbow 45° Cover	GT00650
100mm_Horizontal Elbow 45°, W/ Cover	XT00123
100mm_Outside Open Vertical Elbow 45°, W/O Cover	GT00651
100mm_Outside Open Vertical Elbow 45° Cover	GT00652
100mm_Outside Open Vertical Elbow 45°, W/ Cover	XT00565
100mm_Inside Open Vertical Elbow 45°, W/O Cover	GT00653
100mm_Inside Open Vertical Elbow 45° Cover	GT00654
100mm_Inside Open Vertical Elbow 45°, W/ Cover	XT00564

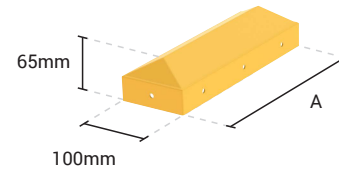
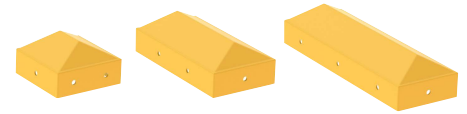


Horizontal

Inside Open

Outside Open

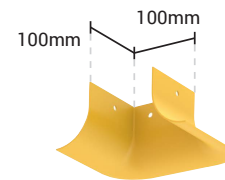
Channel End Caps



A
100mm
200mm
300mm

Description	Order Code
100mm_Channel End Cap	XT00248
200mm_Channel End Cap	XT00311
300mm_Channel End Cap	XT00091

Accessory Outlets

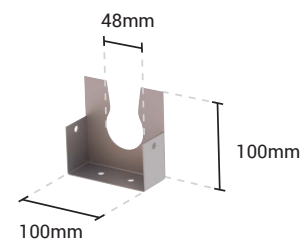


Compatible with all 100mm drop outlets

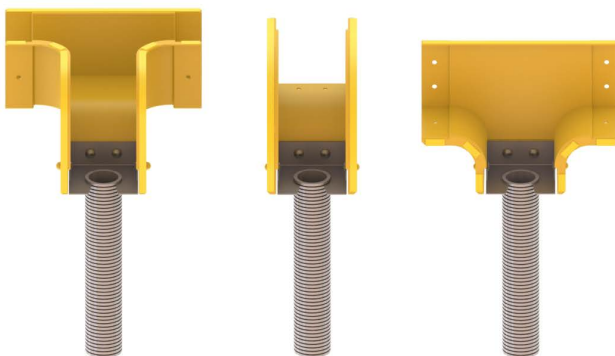
Description	Order Code
100mm_Bend Radius Outlet Trumpet	XT00250



Description	Order Code
Flex Tube Adapter-48-1	XT00320



Compatible with all 100mm drop outlets



Surface Hanging Supports - I Profiles

Description	Order Code
100mm_I11 Threaded Rod Hanging Support	XT00061
200mm_I12 Threaded Rod Hanging Support	XT00315
300mm_I13 Threaded Rod Hanging Support	XT00316



For one side hanging M14 or M16 rod sizes are recommended
For two sides hanging M12 or M14 rod sizes are recommended

Installation Types

Underfloor Hanging



Ceiling Hanging



Ladder Mounting

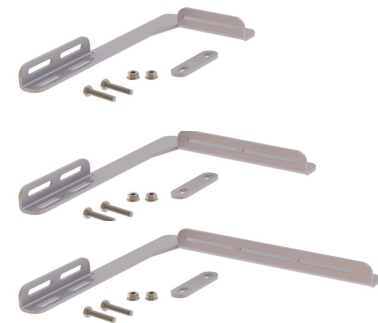


Over Cabinet Mounting



Ladder Hanging Supports - L Profiles

Description	Order Code
100mm_L11 Cable Ladder Connection Set	XT00645
200mm_L12 Cable Ladder Connection Set	XT00646
300mm_L13 Cable Ladder Connection Set	XT00647



Supplied with M8 bolt and nut set

Installation Types



Surface Hanging Supports - U Profiles

Description	Order Code
100mm_U11 Threaded Rod Hanging Support	GT00096
200mm_U12 Threaded Rod Hanging Support	GT00514
300mm_U13 Threaded Rod Hanging Support	GT00515
Installation Types	

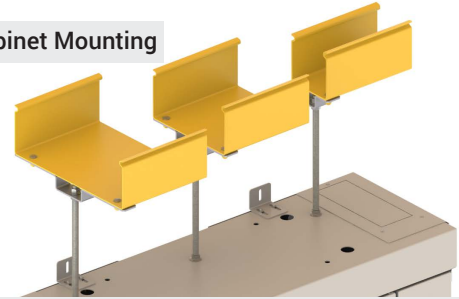


M14 or M16 rod sizes are recommended

Underfloor Hanging

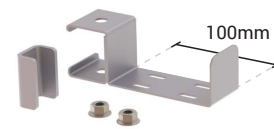


Over Cabinet Mounting



Hanging Supports - C Profiles

Description	Order Code
100mm_C11 Threaded Rod Hanging Support	XT01011
Installation Types	



M10 or M12 rod sizes are recommended

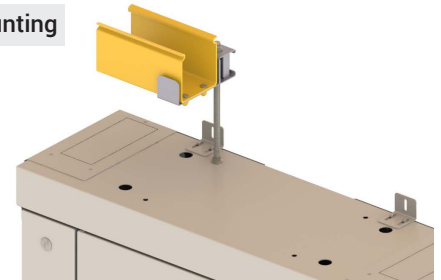
Ladder Mounting



Underfloor Hanging

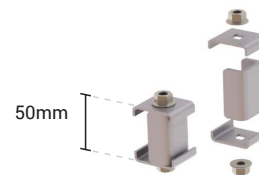


Over Cabinet Mounting



Ladder Mounting Clamp

Description	Order Code
50mm_LC1 Ladder Clamp Set	XT01012
Installation Types	

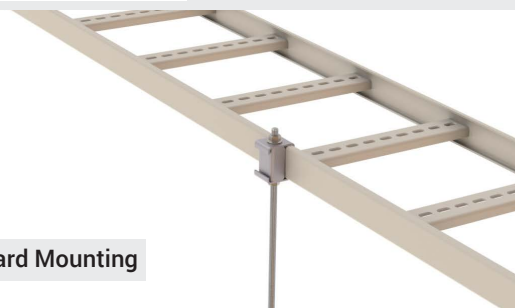


M10 or M12 rod sizes are recommended

Upward Mounting



Downward Mounting



Raceway Fastening Components



Description	Order Code
Bolt+Nut+Cap Set	XT00259

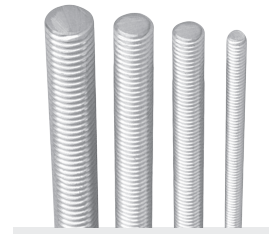
Flex Tubes



Description	Order Code
Single Wall Slitted Flex Tube-48	XT00644

Galvanized Steel Rods and Nuts

Description	Order Code
M10 Threaded Rod,Galvanized-1M	GT00350
M12 Threaded Rod,Galvanized-1M	GT01215
M14 Threaded Rod,Galvanized-1M	GT01216
M16 Threaded Rod,Galvanized-1M	GT01217



Description	Order Code
DIN 6923 M10 Flanged Nut,Galvanized	GT00890
DIN 6923 M12 Flanged Nut,Galvanized	GT01218
DIN 6923 M14 Flanged Nut,Galvanized	GT01219
DIN 6923 M16 Flanged Nut,Galvanized	GT01220





Asia:

Singapore

The CopperOn Pte Ltd.

Scotts Road, #26-10, SGAW Centre,
Singapore 228208
Tel: +65 96338723
Fax: +65 6734 3706
Email: contactAP@copperon.com
Website: www.copperon.com

MENA

The CopperOn Company MEA FZCO

Light Industrial Unit Phase 1, Unit 5,
Dubai Silicon Oasis, Dubai, UAE
Tel: +971-4-3344970
Fax: +971-4-3344971
Website: www.copperon.com
Email: info@copperon.com

India

The CopperOn Technology Pvt. Ltd

201, Kaivanna Panchwati Circle, Ambawadi,
Ahmedabad, 380006 Gujrat, India
Tel: +91 22 4611 4444
Fax: +91 22 4611 4544
Website: contactindia@copperon.com
Email: www.copperon.com

CopperOn Technology Pvt. Ltd

130 Udyog Bhavan, Sonawala Road,
Goregaon (East) Mumbai 400063, India Tel:
+91 22 4611 4444
Fax: +91 22 4611 4544
Website: www.copperon.com
Email: sales.india@copperon.com

Contact Us

North America

World Headquarters:

The CopperOn Company

2100 M ST NW, Washington DC 20037, USA.
Tel: (202) 594 3140
Fax: (202) 594 3141
Email: contactHQ@copperon.com
Website: www.copperon.com

Engineering Office:

The CopperOn Company

1001 N Fillmore St., Arlington VA 22201, USA.
Email: contactRD@copperon.com
Website: www.copperon.com